

Installation Instructions

EZ FLEX™ Expandable Filter For Trion®, Honeywell, and MACA Air Cleaner Cabinets

EXP

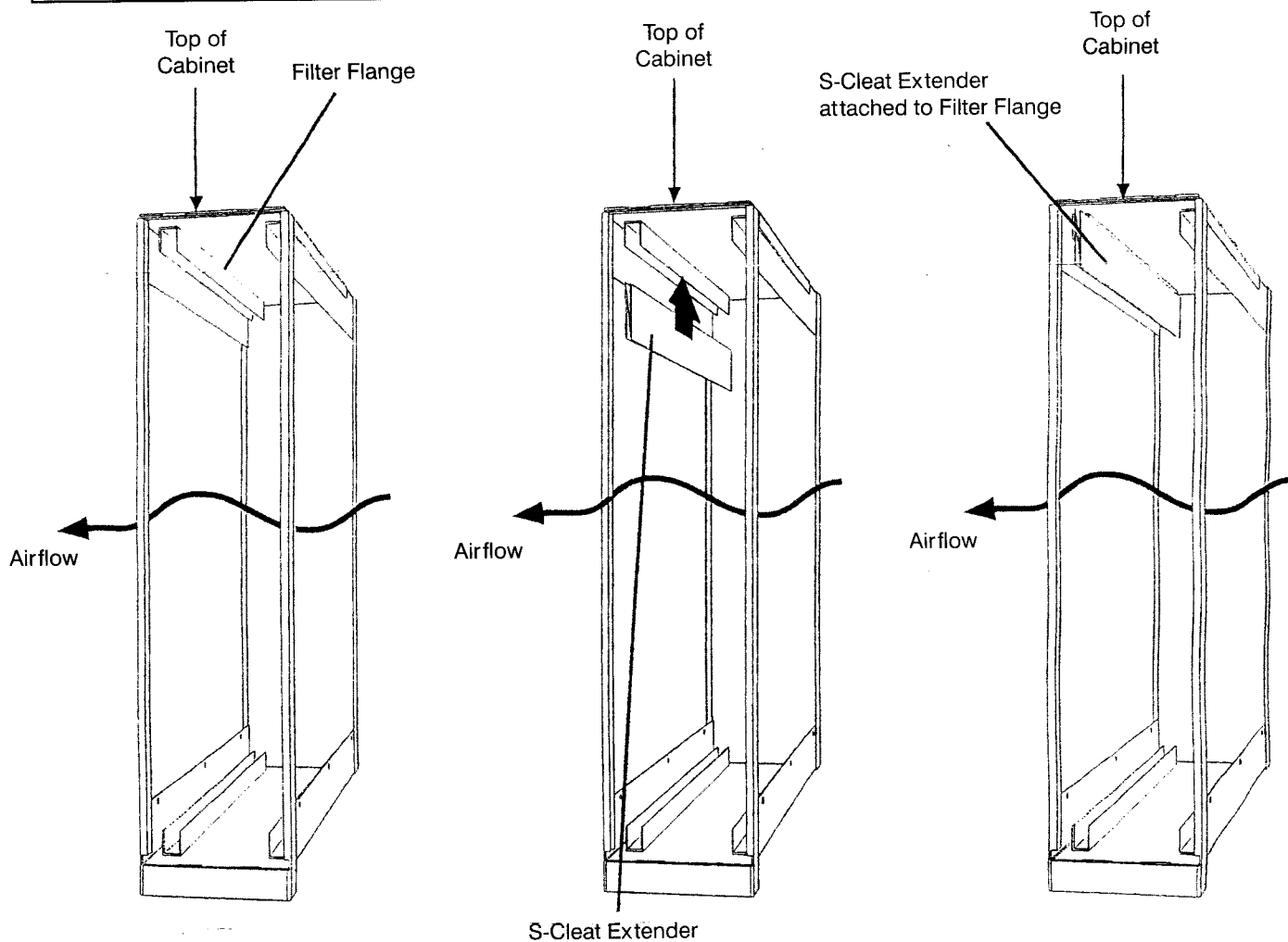


Fig. 1-S-Cleat Installation Process for Vertical Orientation

A01402

NOTE: Read the entire instruction manual before starting the installation.

INTRODUCTION

The EZ FLEX™ Expandable Media Filter is designed to fit not only MACA cabinets, but several competing filter manufacturers' air cleaner cabinets as well. In the case of Trion®, Honeywell and MACA cabinets, a piece of S-Cleat (included) is needed to further produce a secure fit between filter and filter flange. These instructions will detail the S-Cleat installation process.

NOTE: EZ Flex fits Trion® and MACA cabinets in downflow and horizontal applications only.

VERTICAL INSTALLATION

1. Remove Air Cleaner Cabinet Door.
2. Locate filter flanges. There will be a total of 4 flanges. 2 on top and 2 on bottom of cabinet.
3. Slowly slide S-Cleat upward onto the top, interior most filter flange on leaving air side of cabinet. (See middle of diagram.)

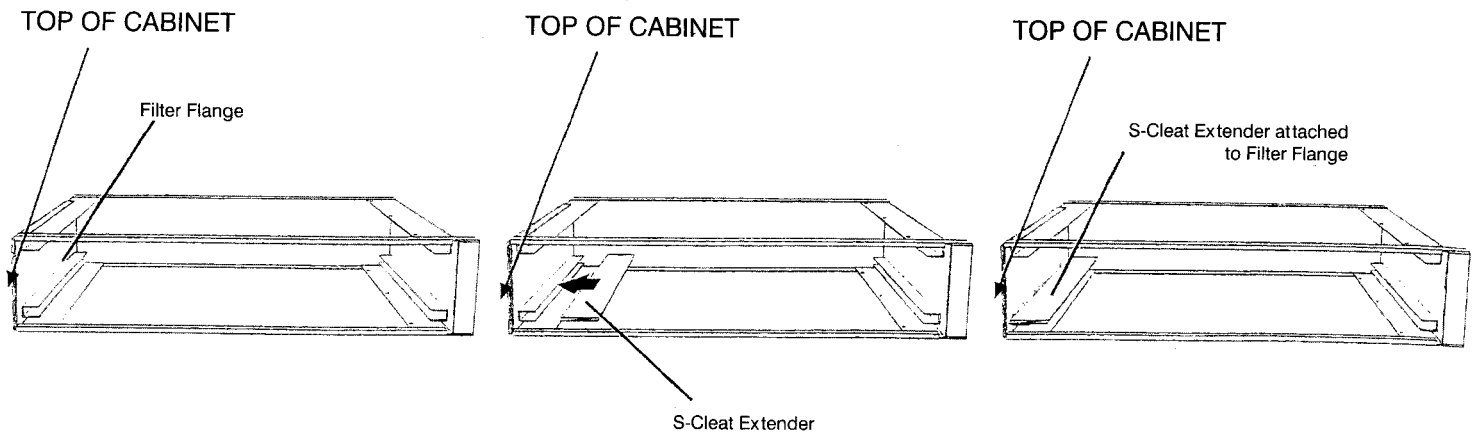


Fig. 2 -S-Cleat Installation Process for Horizontal Orientation

NOTE: S-Cleat must be installed on leaving air side of filter cabinet.

4. Secure S-Cleat on entire length of filter flange.
5. Install Filter and replace Air Cleaner Cabinet door.

HORIZONTAL INSTALLATION

1. Remove Air Cleaner Cabinet Door.
2. **If cabinet is in horizontal left position (top of cabinet in vertical orientation is now left side):**
 - a. Locate filter flanges. There will be a total of 4 flanges, 2 on left (top) and 2 on right (bottom).
 - b. Locate the bottom left flange. The S-Cleat is to be installed on the top flange of the bottom left flange.
 - c. Slowly slide S-Cleat onto the top flange of the bottom left filter flange.
3. **If cabinet is in horizontal right position (top of cabinet in vertical orientation is now right side):**
 - a. Locate filter flanges. There will be a total of 4 flanges, 2 on left (top) and 2 on right (bottom).
 - b. Locate the bottom right flange. The S-Cleat is to be installed on the top flange of the bottom right flange.
 - c. Slowly slide S-Cleat onto the top flange of the bottom right filter flange.
4. Secure S-Cleat on entire length of filter flange.
5. Install filter and replace Air Cleaner Cabinet door.