



EV9100-06

IN-10 In-line Filter

Designed for superior taste and odor reduction



IN-10 with 1/4" JG fittings: EV9100-06

IN-10 without fittings: EV9100-08

BENEFITS

- Provides clear, fresh, quality ingredient water for coffee, espresso and ice applications
- Granular activated carbon reduces chlorine taste and odor, which can cause coffee to taste bitter
- Inhibits the formation of limescale, which can shorten the life of equipment
- In-line design is compact and installs out of sight behind equipment
- Available with quick disconnect fittings which make installation fast and simple

INSTALLATION TIPS

- Use 1/4" water line
- Flush IN-10 cartridge by running water through filter for three minutes at full flow

OPERATION TIPS

- Change cartridges on a regular 6 month preventative maintenance program
- Change cartridges when capacity is reached or when pressure falls below 10 psi
- Service flow rate must not exceed 0.75 gpm
- Always flush the filter cartridge at time of installation and cartridge change

APPLICATION/SIZING

- For low volume, single pot coffee brewers with flow rates up to 0.75 gpm
- Capacity: 2,400 gallons (9,085 L)

IN-10 In-line Filter

SPECIFICATIONS

Overall Dimensions:

Length: 10.5"

Diameter: 2.0"

Inlet connection: 1/4"

Outlet connection: 1/4"

Service Flow Rate:

Maximum 0.75 gpm (2.8 Lpm)

Pressure Requirements:

10 - 125 psi (0.7 – 8.6 bar), non-shock

Temperature:

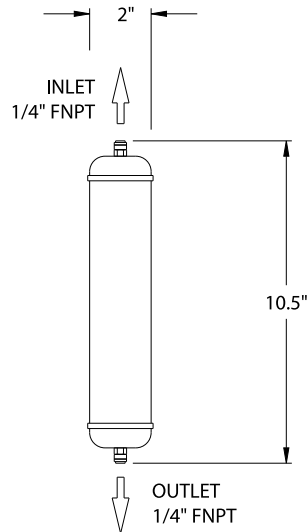
35 - 100°F (2 - 38°C)

Operating Weight:

1.5 lbs.

No electrical connection required

The contaminants or other substances removed or reduced by this drinking water system are not necessarily in your water. Do not use with water that is microbiologically unsafe or of unknown quality without adequate disinfection before or after the system. Systems certified for cyst reduction may be used with disinfected water that may contain filterable cysts.



WARRANTY

Everpure water treatment systems (excluding replaceable elements) are covered by a limited warranty against defects in material and workmanship for a period of five years after date of purchase. Everpure replaceable elements (filter cartridges and water treatment cartridges) are covered by a limited warranty against defects in material and workmanship for a period of one year after date of purchase. See printed warranty for details. Everpure will provide a copy of the warranty upon request.

EVERPURE®

EVERPURE, LLC
1040 Muirfield Drive
Hanover Park, Illinois 60133
Toll Free (800) 323-7873
Tel (630) 307-3000
Fax (630) 307-3030
<http://www.everpure.com>

In Europe:
N.V. EVERPURE (EUROPE) S.A.
INDUSTRIEPARK WOLFSTEE
TOEKOMSTLAAN 30
B-2200 HERENTALS
BELGIUM
TEL 32 -14-283500
FAX 32-14-283505

In Japan:
EVERPURE JAPAN LLC
HASHIMOTO MN BLDG. 7F
3-25-1 HASHIMOTO SAGAMIHARA-SHI
KANAGAWA 229-1103
JAPAN
TEL 81-(0)42-775-3011
FAX 81-(0)42-775-3015

Everpure, LLC
1040 Muirfield Drive
Hanover Park, IL 60133
Ph: 630-307-3000 Fax: 630-307-3030