



# AEROMATIC™ SERIES STANDARD RESIDENTIAL E190-TR Energy Recovery Ventilator

PRODUCT  
SPECIFICATIONS  
& TECHNICAL  
DATA



## PRODUCT DESCRIPTION

Compact size, large performance – the E190-TR energy recovery ventilator produces approximately **190 CFM** at 0.20 in.w.g (ESP) and recovers sensible and latent heat through its high-efficiency polymeric membrane core. The E190-TR has been thoughtfully engineered for simple installation in small businesses and spacious houses.

The E190-TR has two exclusive features. EvacMAX™ provides on-demand boost for maximum ventilation. With FLEXControl, airflow circuits can be calibrated electronically, eliminating the need for resistance-inducing balancing dampers and improving overall efficiency.

## KEY FEATURES

- Electronically and independently adjustable supply and exhaust blowers (FLEXControl)
- Gauge ports on the door for fast and reliable airflow readings
- Removable top-mounted collars
- Twist-in collars for easy flex-duct attachment
- Non-dust-loading backward-inclined impellers on totally enclosed motors
- Easy access to core and filters for cleaning
- Extremely durable core
- Standard MERV 6 filters and optional carbon or high-efficiency/MERV 13 equivalent filters
- Multiple low-cost controller options for occupancy changes
- Recirculating defrost collar snaps into pre-punched area of cabinet for ducting flexibility

## CASING

Material: Pre-painted 24-gauge galvanized steel  
Drain Connection: Ø 3/8" (Ø 10 mm)  
Duct Diameter: Ø 6" (Ø 152 mm)  
Insulation: 1" (25 mm) Fiberglass with FSK  
Width: 29-5/16" (745 mm)  
Height: 19-7/16" (494 mm)  
Depth: 15-11/16" (398 mm)  
Weight: 50 lbs (23 kg); Shipping Weight: 56 lbs (25 kg)  
Supply Damper: Motorized; Exhaust Damper: Gravity

## MOUNTING

Suspended by chains with vibration-isolating springs

## RECOVERY CORE

Material: Polymeric Membrane

## BLOWERS

Quantity: 2  
Type: Motorized impellers (backward-inclined)

## ELECTRICAL REQUIREMENTS

120 VAC, 60 Hz, 1.8 A, 216 W  
Cord Set: 48" (1219 mm) with ground

## CONTROLS

Low voltage dry contact (24VAC) for:

- LCD Electronic Multifunction Control (P/N 611227)
- Mode Control (Recirculation) (P/N 611230)
- Humidity Control (P/N 611224)
- Speed Control (Low/Intermittent/High) (P/N 611229)
- 20/40/60 Minute Timer (P/N 611228)

## FROST CONTROL

- Automatic timed recirculation, fifth port
- Cycles controlled by a temperature sensor when outdoor temperature drops below 14°F (-10°C)

## FILTERS

Quantity: 2  
Type: MERV 6 (P/N 612408)  
Optional: Carbon (P/N 612262) or High-Efficiency/MERV 13 Equivalent (P/N 612263)

## WARRANTY

Core Assembly: Limited 5-year warranty  
All Other Covered Components: Limited 5-year warranty

## APPROVALS

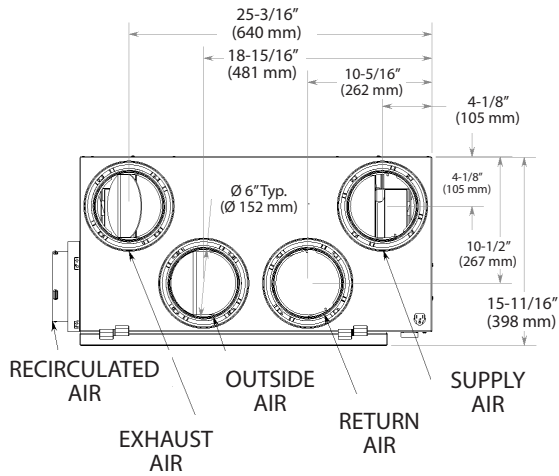
Meets Standards:

- C22.2 no113 and UL 1812

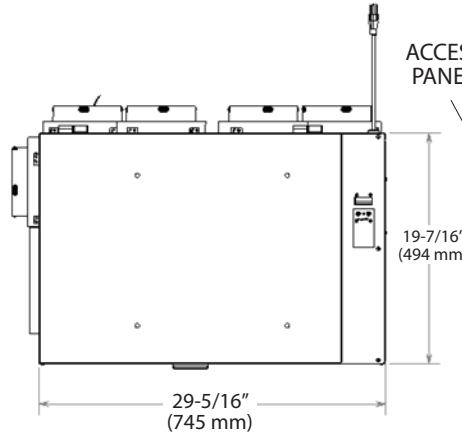


# Dimensions

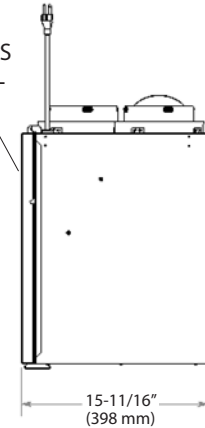
**TOP VIEW**



**FRONT VIEW**

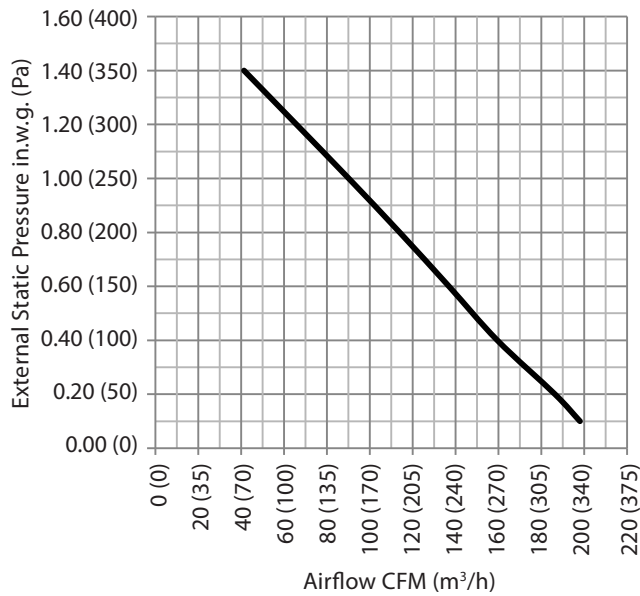


**SIDE VIEW**



# Performance

**E190-TR Ventilation Performance**



**Energy Performance**

Outside Air Temperature		Net Airflow		Sensible Recovery Efficiency	Latent Recovery/Moisture Transfer	Total Energy Recovery
°F	°C	CFM	L/s			
<b>Heating</b>						
35	1.7	90	40	72%	47%	63%
35	1.7	150	70	67%	39%	57%
35	1.7	200	95	63%	34%	53%
<b>Cooling</b>						
95	35	90	40	72%	43%	54%
95	35	150	70	67%	35%	48%
95	35	200	95	63%	31%	43%

<b>Project:</b>		<b>Architect:</b>	
<b>Location:</b>		<b>Engineer:</b>	
<b>Model #:</b>		<b>Contractor:</b>	
<b>Quantity:</b>		<b>Comments:</b>	
<b>Submitted By:</b>			
<b>Date:</b>			

© 2013 American ALDES Ventilation Corporation. Reproduction or distribution, in whole or in part, of this document, in any form or by any means, without the express written consent of American ALDES Ventilation Corporation, is strictly prohibited. The information contained within this document is subject to change without prior written notice.