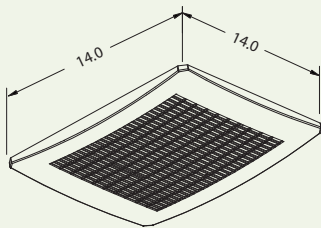
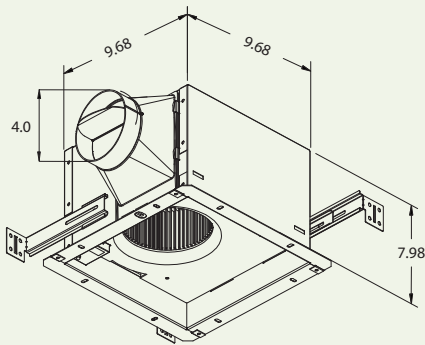




Delta Breez Ventilation Dual Speed Fan Specifications

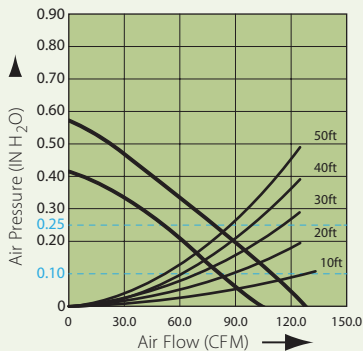
VFB25AX
(80/110 CFM)

Dimensions



UNIT: INCH

Fan Curve



Description

Low noise ceiling mount dual speed ventilating fan rated for continuous running. Evaluated by Underwriter Laboratories and conforms to both UL and cUL safety standards.

Motor/Blower

- DC Brushless motor engineered to run continuously.
- Motor equipped with thermal cutoff fuse.
- Permanently lubricated motor.

Housing

- Galvanized steel body.
- Detachable 4" diameter duct adapter.
- Easy installation.

Grille

- Attractive design using ABS material.
- Attaches directly to housing with torsion springs.

Warranty

- 3 year limited warranty.

Features

- Green and amber LED indicator lights show low and high speed modes.

80 CFM

- For ceiling mount only, low speed air flow of 80 CFM ($\pm 10\%$) and 0.5 Sones at 0.1" static pressure.
- Power consumption approximately 7.7 Watts with an efficiency approximately 10.40 CFM/Watt at 0.1" static pressure.

110 CFM

- For ceiling mount only, high speed air flow of 110 CFM ($\pm 10\%$) and approximately 1.0 Sones at 0.1" static pressure.
- Power consumption approximately 16.0 Watts with an efficiency rating approximately 7.00 CFM/Watt at 0.1" static pressure.

DC Motor Technology

- Allows fan to operate in dual speed mode.
- Built in soft start function to increase bearings life.
- Automatically powers OFF when impeller is locked abnormally.

Specifications

VFB25AX	4" Duct (Standard)			
	High		Low	
Fan Speed				
Static Pressure (Inches w.g.)	0.1	0.25	0.1	0.25
Air Flow (CFM)	110	90.9	80	53.3
Sones	1.0	N/A	0.5	N/A
Power Consumption (Watts)	16.0	18.1	7.7	8.7
Energy Efficiency (CFM/Watt)	7.00	4.99	10.40	6.11
Speed (RPM)	1015	1189	890	1082
Current (Amps)	0.22 @ 110 Vac		0.12 @ 110 Vac	
Power Rating (V/Hz)	110~220/50~60			