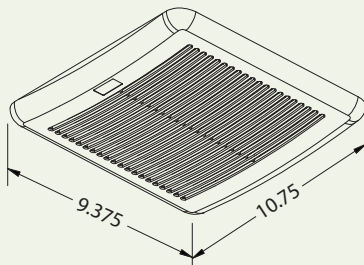
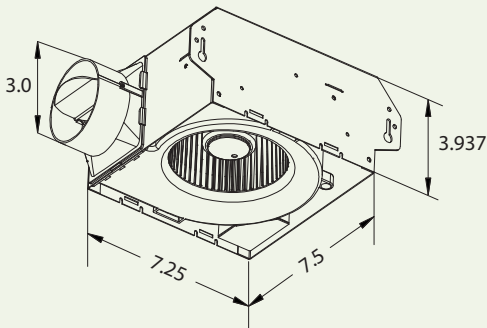




# Delta BreezSlim Ventilation Fan Super Low Profile Specifications

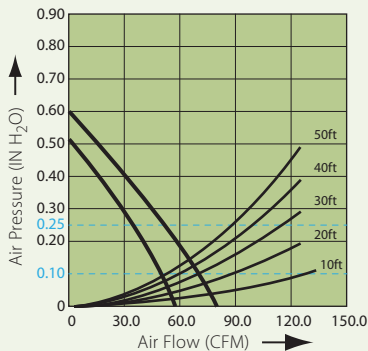
VFB070B3X1  
(50/70 CFM)

## Dimensions



UNIT: INCH

## Fan Curve



## Description

Low noise ceiling mount ventilating fan with super low profile rated for continuous running. Evaluated by Underwriter Laboratories and conforms to both UL and cUL safety standards.

## Motor/Blower

- DC Brushless motor engineered to run continuously.
- Motor equipped with thermal cutoff fuse.
- Removable with permanently lubricated plug-in motor.

## Housing

- Galvanized steel body.
- Detachable 3" diameter duct adapter.
- Easy installation.

## Grille

- Attractive design using ABS material.
- Attaches directly to housing with torsion springs.

## Warranty

- 3 year limited warranty.

## Features

- Green and amber LED indicator lights show low and high speed modes.

### 50 CFM

- For ceiling mount only, low speed air flow of 50 CFM ( $\pm 10\%$ ) and 1.0 Sones at 0.1" static pressure.
- Power consumption approximately 6.4 Watts with an efficiency approximately 8.9 CFM/Watt at 0.1" static pressure.

### 70 CFM

- For ceiling mount only, high speed air flow of 70 CFM ( $\pm 10\%$ ) and approximately 2.0 Sones at 0.1" static pressure.
- Power consumption approximately 13.1 Watts with an efficiency rating approximately 5.8 CFM/Watt at 0.1" static pressure.

## DC Motor Technology

- Allows fan to operate in dual speed mode.
- Built in soft start function to increase bearings life.
- Automatically powers OFF when impeller is locked abnormally.

## Specifications

VFB070BX1	3" Duct (Standard)			
	High		Low	
Fan Speed	High		Low	
Static Pressure (Inches w.g.)	0.1	0.25	0.1	0.25
Air Flow (CFM)	70	54	50	36
Sones	2.0	1.5	1.0	1.2
Power Consumption (Watts)	13.1	11.5	6.4	6.3
Energy Efficiency (CFM/Watt)	5.8	5.0	8.9	6.5
Speed (RPM)	1239	1369	1063	1264
Current (Amps)	0.29 @ 120 Vac		0.18 @ 120 Vac	
Power Rating (V/Hz)	120/60			