



Delta Breez Signature  
Perfectly quiet. Perfectly green.



**Delta Breez Signature Series**

Model#	VFB25ACL
Model#	VFB25ADL
Model#	VFB25AC
Model#	VFB25AD
Model#	VFB25AX
Model#	VFB25ACH
Model#	VFB25ADH
Model#	VFB25AEH

The introduction of the Breez Ventilation Fan marks a new achievement in green construction for bathroom ventilation. Factory controlled tests reveal the Breez Ventilation Fan surpasses popular competitors' models with advanced functionality, lower power consumption, and lower noise.



Fan Light Combo

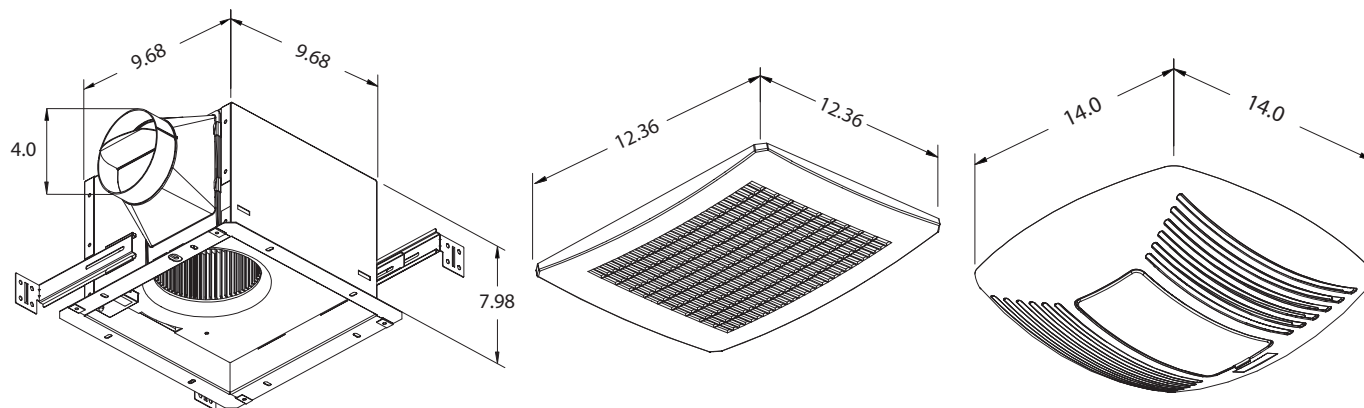
Innovative design for long life, low noise, and low power consumption.

- DC Brushless Motor
- Low Noise
- Energy Star Certified



Fan Only

The Breez Ventilation Fan is easy to install in new construction or an existing bathroom to deliver an unobtrusive appliance with aesthetically pleasing results.



Delta Breez Signature Series	VFB25ACL		VFB25ADL		VFB25AC		VFB25AD		VFB25AX				VFB25ACH		VFB25ADH		VFB25AEH	
Static Pressure (Inches w.g.)	0.1	0.25	0.1	0.25	0.1	0.25	0.1	0.25	0.1	0.25	0.1	0.25	0.1	0.25	0.1	0.25	0.1	0.25
Air Flow (CFM)	80	49	110	89	80	52	110	79	80	53	110	89	80	52	110	79	130	107
Sones	0.6	1.0	1.1	1.4	<0.3	N/A	1.1	2.0	0.5	N/A	1.0	N/A	<0.3	N/A	1.1	2.0	1.3	N/A
Power Consumption (Watts)	9.6	10.0	15.4	17.2	7.1	8.3	15.3	14.5	7.7	8.7	16.0	18.1	7.1	8.3	15.3	14.5	19.1	18.8
Energy Efficiency (CFM/Watts)	8.5	5.0	7.1	5.2	11.7	6.5	7.3	5.5	10.4	6.1	7.0	5.0	11.7	6.5	7.3	5.5	7.1	5.9
Speed (RPM)	904	1095	1037	1213	876	1111	1010	1146	890	1082	1015	1189	876	1111	1010	1146	1083	1219
Dual Speed	N/A		N/A		N/A		N/A		low		high		N/A		N/A		N/A	
Current (Amps)	0.15 @ 120 Vac		0.26 @ 120 Vac		0.12 @ 110 Vac		0.22 @ 110 Vac		0.12 @ 110 Vac		0.22 @ 110 Vac		0.12 @ 110 Vac		0.22 @ 110 Vac		0.36 @ 110 Vac	
Power Rating (V/Hz)	120/60		120/60		110~220/50~60		110~220/50~60		110~220/50~60		110~220/50~60		110~220/50~60		110~220/50~60		110~220/50~60	
Duct Diameter (Inches)	4		4		4		4		4				4		4		4	
Humidity Sensor	N/A		N/A		N/A		N/A		N/A				Yes		Yes		Yes	
Mounting Opening (Inches)	9.68 x 9.98		9.68 x 9.98		9.68 x 9.98		9.68 x 9.98		9.68 x 9.98				9.68 x 9.98		9.68 x 9.98		9.68 x 9.98	
Mounting Depth (Inches)	7.98		7.98		7.98		7.98		7.98				7.98		7.98		7.98	
Grill Size (Inches Sq)	14.0 x 14.0		14.0 x 14.0		12.36 x 12.36		12.36 x 12.36		12.36 x 12.36				12.36 x 12.36		12.36 x 12.36		12.36 x 12.36	
Light (Watts)	26		26		N/A		N/A		N/A				N/A		N/A		N/A	
Lamp Model#	GU24		GU24		N/A		N/A		N/A				N/A		N/A		N/A	
Night-Light (Watts)	4		4		N/A		N/A		N/A				N/A		N/A		N/A	
Shipping Gross Weight (Lbs)	11.73		11.73		9.81		9.81		9.81				9.81		9.81		9.81	
cUL Tub/Shower Enclosure	Yes		Yes		Yes		Yes		Yes				Yes		Yes		Yes	
Washington State VIAQ Code	Yes		Yes		Yes		Yes		Yes				Yes		Yes		Yes	
California Title 24 Compliant	Yes		Yes		Yes		Yes		Yes				Yes		Yes		Yes	
Mfg in ISO 9001 Certified Factory	Yes		Yes		Yes		Yes		Yes				Yes		Yes		Yes	
Energy Star Certified	Yes		Yes		Yes		Yes		Yes				Yes		Yes		Yes	
Warranty (Years)	3		3		3		3		3				3		3		3	

Design and specifications subject to change without notice.

