

INSTALLATION INSTRUCTIONS

READ AND SAVE THESE INSTRUCTIONS

1. Installation by a licensed electrician is recommended.
2. Installation and use of this equipment should be in accordance with provisions of the National Electrical code, applicable local codes, and pertinent industry standards.
3. This timer is not to be used in precision timing applications when inaccurate timing could have dangerous consequences such as with sun lamps or in tanning booths.
4. This timer fits Pass & Seymour/Legrand's #26 style wall plate. Consult your Pass & Seymour/Legrand catalog for wall plate options.

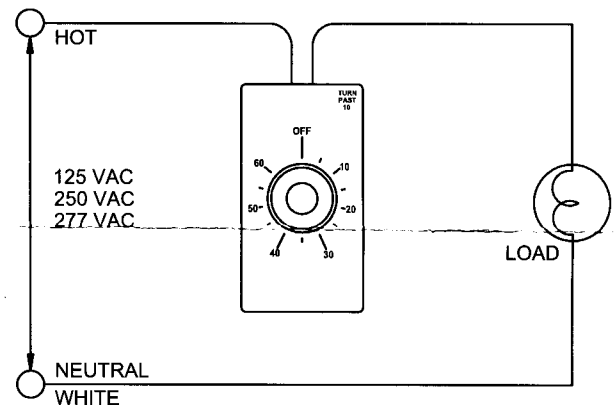
NOTES:

1. Disconnect power by removing fuse or turning circuit breaker to OFF before installing this device. If replacing existing switch, remove wall plate and switch mounting screws. Disconnect switch from circuit before continuing installation.
2. Attach wires to terminals with terminal screws provided, and screw down tightly. NOTE: Use LINE-1/LOAD-1 for standard operation. LINE-2/LOAD-2 will turn the current ON at the end of timing period.
3. Insert wired timer into a 2½" (min) deep wall box with "TOP" (indicated on front cover) in proper position. Fasten to wall box using (2) screws provided.
4. Fasten the wall plate to the timer using the (2) screws supplied with the plate. The screws must be self-tapped into the timer body and will require a gentle inward pressure while firmly turning.
5. Position the small plastic timer dial so that "OFF" is in the up position. Install the hex nut and tighten.
6. Push knob onto timer shaft, handle facing down.
7. Restore power.

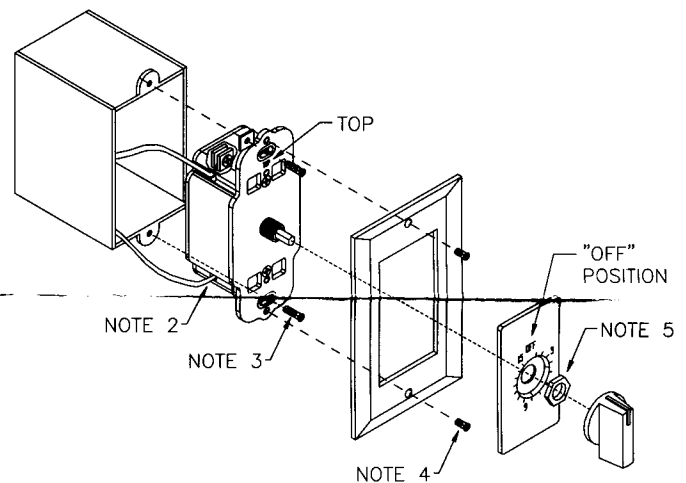
OPERATING INSTRUCTIONS:

1. Turn knob clockwise ↻ to desired time period. Timer will automatically turn "OFF" at the end of the period.
2. Regardless of time period desired, knob must first be rotated past "TURN PAST" as indicated on the small plastic timer dial. It may then be turned back to a shorter time period, if desired.
3. Some timers are equipped with a HOLD feature which will hold the current ON without operation of the timing mechanism. Timing will not begin until knob is turned to a time period. To engage HOLD feature, turn knob counterclockwise ↺ until knob pointer points to HOLD.

WIRING DIAGRAM



INSTALLATION DIAGRAM



Time Cycle	CATALOG # without HOLD	CATALOG # with HOLD
15 MINUTE*	97015	97115
30 MINUTE*	97030	97130
60 MINUTE	97060	97160

NOTE: For Ivory add I suffix
For White add W suffix
*For Light Almond add LA suffix
(Available in 15 & 30 min, without HOLD only)

Ratings:	20 amp	125 VAC	1HP
	10 amp	250 VAC	
	10 amp	277 VAC	
	7 amp	125 VAC-TUNGSTEN	

UL LISTED