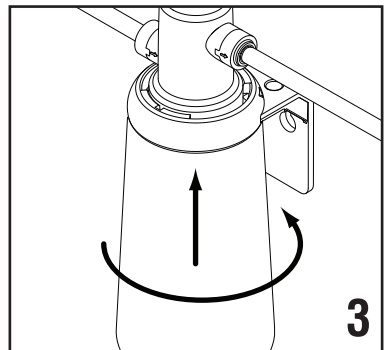
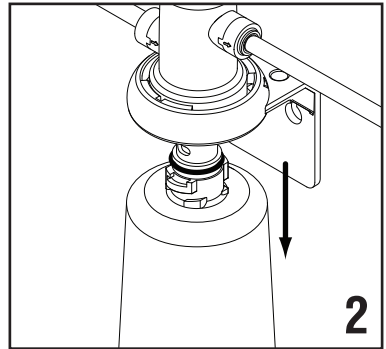
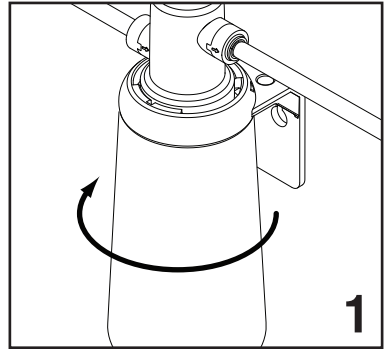


How to Replace Cartridges

Note: This system is equipped with an internal shut-off valve.

1. Turn cartridge slowly to the left, about 1/4 turn, until it stops (when arrows line up). At this position, both inlet and outlet ports are closed and water pressure has been relieved.
2. Pull used cartridge straight down and discard. Note: There may be a small amount of residual water drainage after pressure is relieved and during cartridge removal.
3. Moisten o-ring with a food grade lubricant and push new cartridge into filter head. Turn cartridge 1/4 turn to the right until it stops (when arrows line up). Top surface of cartridge will become flush with bottom of the head when fully engaged.
4. Open downstream valve (if installed) and flush new filter cartridge for two minutes, expelling any trapped air and carbon fines. Water may run cloudy with air but will quickly clear.



Water Group

CUNO Incorporated

400 Research Parkway

Meriden, CT 06450

Toll Free: 1-800-835-1919

Worldwide : 203-237-5541

Fax : 203-238-8701

www.cuno.com