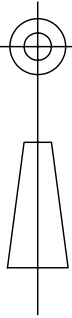
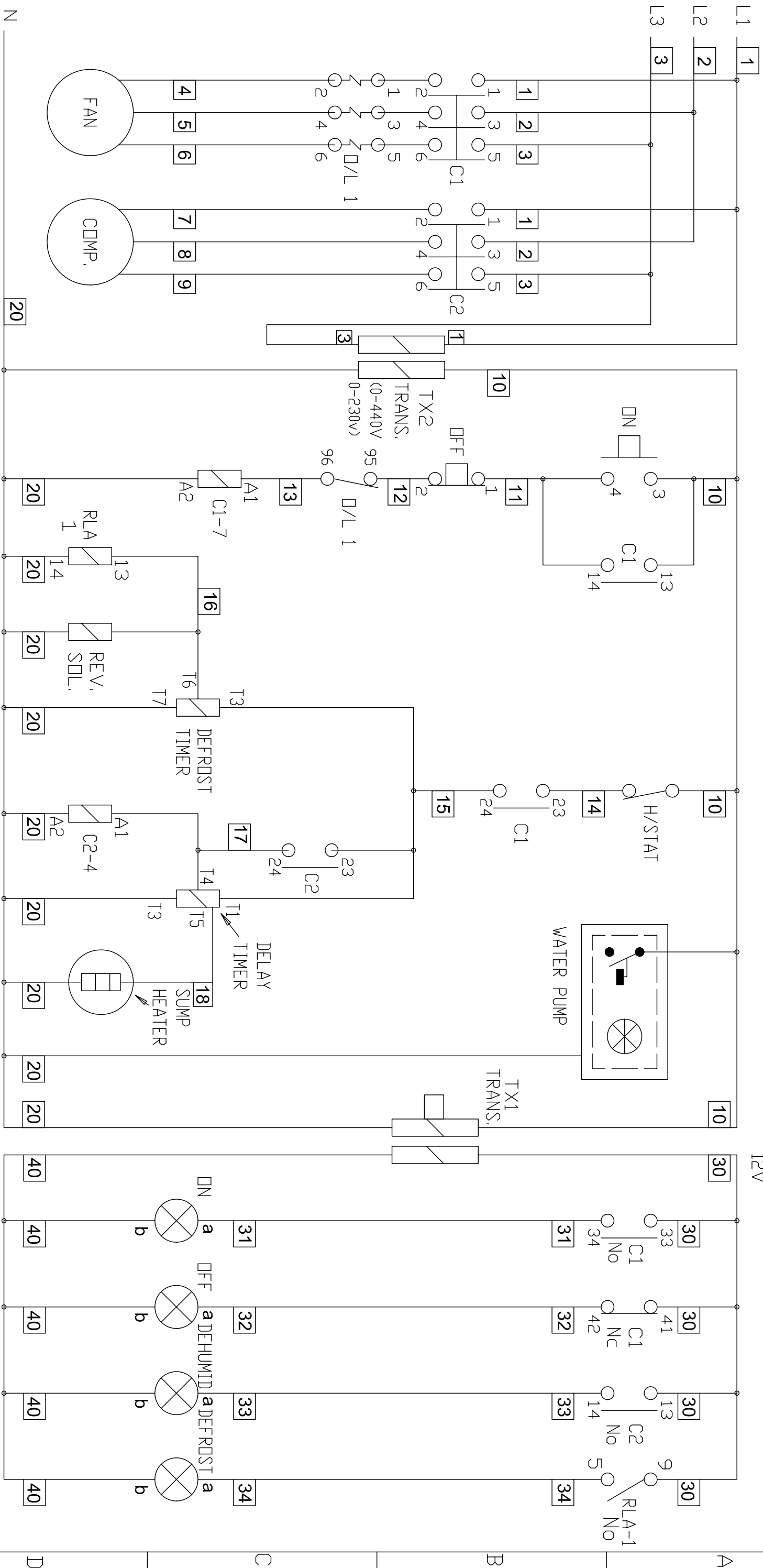


3RD ANGLE PROJECTION



DRG. NO. 5020185



DRAWN M. DUNN	ISS. 1	2								
CHECKED	DATE 15/05/00	28/04/03								
APPROVED										
SCALE N.T.S.	C/N	MTD	SRL							
INSPECTION PROCEDURE	MATERIAL	FINISH		TOLERANCE UNLESS STATED -----	DIMENSIONS IN m.m.					

Ekoac Limited

TITLE	SECURITY CLASSIFICATION
SCHEMATIC WIRING DIAGRAM FOR CD425 460V 3PH 60HZ WITH PUMP	
DRG.ND.	
5020185	

A 3