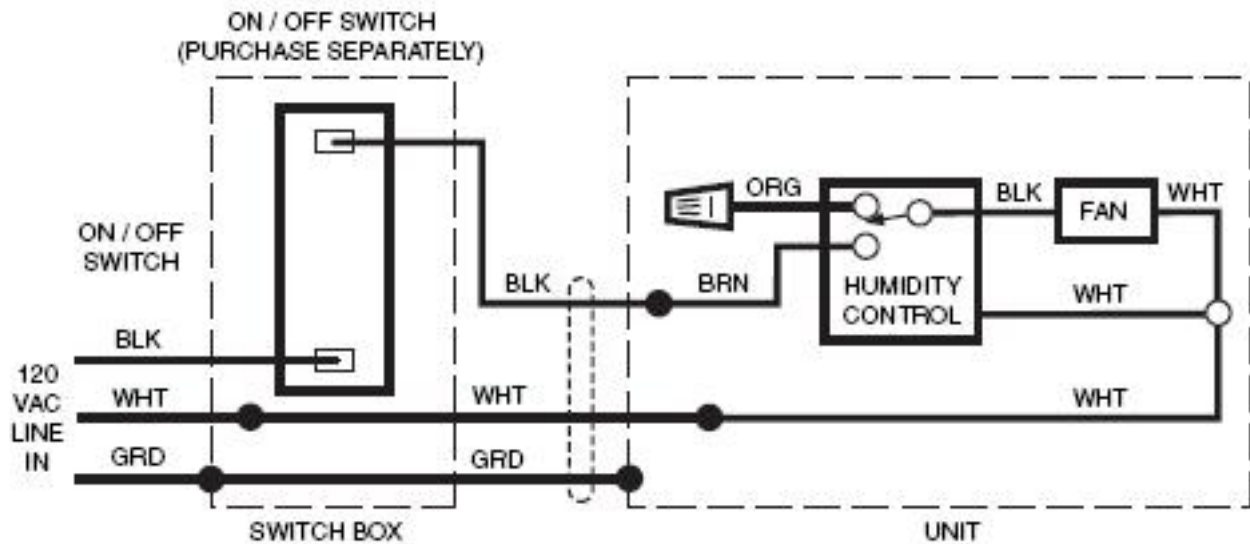


# CONNECT WIRING

**WIRING OPTION #1** - Allows fan to operate in automatic mode or manual mode (for odor control) by cycling ON/OFF switch.



**WIRING OPTION #2** - Fan can be turned ON, OFF, or set to operate automatically.

