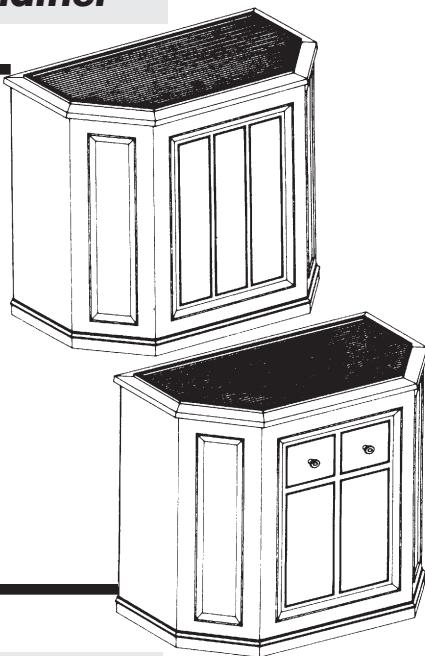


READ AND SAVE THESE INSTRUCTIONS



## Evaporative Humidifier

# OWNERS CARE & USE MANUAL



### Models:

- 697 400 Credenza Variable Speed with Air Care® filter
- 696 400 Credenza Variable Speed
- 696 100 Driftwood Credenza, Variable Speed

- *Easiest to Fill*
- *Easiest to Clean*
- *Quiet Setting for Nighttime use*
- *Automatic Humidistat*
- *Automatic Shutoff*



SAVE THE ENVIRONMENT  
RECYCLE APPROPRIATE MATERIALS

Patents: 5,037,583; 5,110,511; 5,133,904  
Other Patents Pending

French and Spanish  
instructions included.

Se incluyen instrucciones  
en Español y Francés.

Directives en français et  
en espagnol compris.

# Important Safeguards

## READ BEFORE USING YOUR HUMIDIFIER

- 1) This appliance has a polarized plug (one blade is wider than the other). To reduce the risk of electric shock, this plug is intended to fit into a polarized 120-volt, 15-amp outlet, only one way. If the plug does not fit fully in the outlet, reverse the plug. If it still does not fit, contact a qualified electrician. Do not attempt to defeat this safety feature. If an extension cord must be used, it should also accept the wide blade plug and meet this electrical rating.
- 2) Do not place the cord under rugs, in traffic areas, or near heat sources.
- 3) Do not use the humidifier if the cord is damaged.
- 4) Always unplug the power cord before cleaning, servicing, or when the unit is not in use.
- 5) Do not place the humidifier near loose drapes, combustible materials, or heat-producing objects.
- 6) This humidifier is UL listed with Bemis by Essick Air brand evaporative wicks in place. To maintain your UL rating, see your service center for all repairs. Use only Bemis by Essick Air brand replacement wicks and chemicals. To order parts, wicks, and chemicals call 1- 800-547-3888.
- 7) Regular cleaning is recommended. Refer to the CARE & MAINTENANCE section in this manual.
- 8) It is very important that cleaning solutions and other liquids, such as bleach, which may be used to clean the cabinet, are not sprayed or applied to the power pak/chassis assembly. These cleaning solutions can cause a serious electrical malfunction of the humidifier.

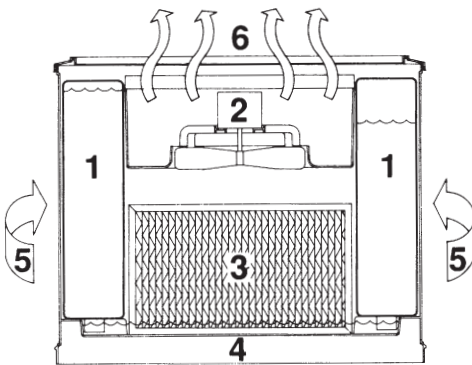
# Introduction

Your Bemis by Essick Air humidifier adds invisible moisture to your home by moving dry inlet air through a saturated wick. As air moves through the wick, the water evaporates into the air, leaving behind any white dust, minerals or dissolved and suspended solids. Because the water is evaporated, there is no messy mist or spray, and no white dust just clean and invisible moist air. As the wick traps accumulated minerals from the water, its ability to absorb and evaporate water decreases. We recommend changing the wick at least once a year, preferably disposing of the used wick at the end of the humidifying season and starting with a new wick at the beginning of the next humidifying season. In hard water areas, more frequent replacement may be necessary to maintain your humidifier's efficiency.

**CAUTION- We recommend Bemis by Essick Air Bacteria Treatment whenever you refill the water bottles to eliminate bacteria growth. Follow the directions to determine the proper amount to be added to the 2.6 gallon water bottles.**

The wick does not require the use of chelating agent type water treatments that are intended for use in Rotobelt or Water Wheel type humidifiers.

Your humidifier is equipped with two water bottles. When a bottle has emptied, the "refill bottle" message will light. When both bottles have emptied, the humidifier fan will automatically shut off, but will start again automatically when the water bottles are refilled.



*Dry air is drawn into the humidifier through the back and moisturized as it passes through the evaporative wick. It is then fanned out into the room.*

1. Water bottles
2. Chassis/Power Pak (motor and fan assembly)
3. Evaporative wick
4. Water channel/tray
5. Dry room air intake
6. Moist air output.

Locate your humidifier on an inside wall, near an electrical outlet. The humidifier should be at least 4" away from the wall for best results. Do not position the unit directly in front of a hot air duct or radiator.

# Assembly and Operation

- 1) Unpack humidifier from carton.
- 2) Remove all packaging materials. Check to see that you have all of the following items before discarding packaging:

- Fill hose
- Bacteria treatment
- Caster kit
- Evaporative wick
- Two water bottles with caps
- Air Care filter if unit is an Air Care model

Note: The wick and Air Care filters are packaged to prevent breakage in shipping. They must be removed from the unit and correctly installed according to these instructions prior to operation to prevent damage to the unit.

## CASTERS

- 3) Remove the water bottles, chassis and evaporative wick from the base of the humidifier. Turn the base of the empty

humidifier upside down. Insert the caster stem into the large caster holes in the four corners of the humidifier bottom. The casters should fit snugly and be inserted as far as possible. Do not force.

- 4) Turn cabinet right side up.

## EVAPORATIVE WICK

- 5) The wick has a mounting rib on the top edge which hooks over a rib at the inside back of the cabinet. This allows the wick to hang in the water channel (see illustration). Hang wick into cabinet as shown.

## AIR CLEANING FILTER (Model 697 400)

- 6) The Air Care Filter has four tangs that engage into four keyhole slots that mount the Air Care filter onto the outside of the back of the cabinet.

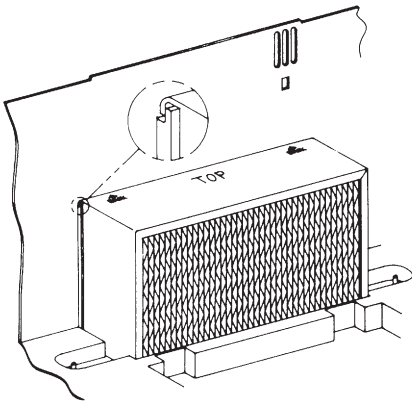
## CHASSIS/POWER PAK

- 7) Place the chassis/power pak unit into the cabinet ensuring that chassis/power pak seats correctly onto the front and back edges of the cabinet.

## BOTTLES

- 8) Fill the bottles with **cool**, fresh, preferably **unsoftened** water. If you have only softened water available in your home, you can use it, but you will notice a buildup of minerals on the wick much sooner.

The bottles hold 2.6 gallons. each. When filling the bottles,



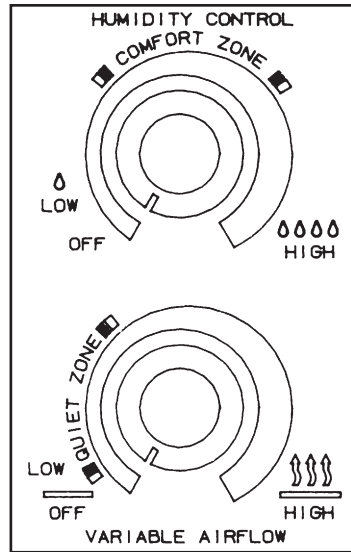
be careful not to pressurize them by over filling. Bottle damage can result from this. A fill hose is provided with your humidifier which will fit most faucets. The faucet connector can be rolled back over itself to better fit small diameter or short faucets. Place water bottles into the humidifier with the valve cap end down and to the back of the humidifier so that the valve cap enters the water channel.

9) **We recommend using Bemis by Essick Air Bacteria treatment whenever you refill the water bottles to eliminate bacterial growth.** Add bacteriostat according to the instructions on the bottle and then tighten the valve caps on your water bottles.

10) Place the top frame onto the cabinet. NOTE: The top frame has hinge pins along the back edge which engage into the hinge brackets along the top back of the cabinet. This feature allows you to lift the top frame off vertically for easy cleaning, and also allows the top frame to pivot up for easy access to the control panel and water bottles.

11) Plug cordset into interlock receptacle on back of unit.

12) Plug cordset into wall receptacle. Humidifier is now ready for use.



13) Open the top frame by lifting along the front edge. The variable speed fan control allows you to use a low setting for the most quiet operation or a high setting for maximum output.

14) All models have an automatic humidistat. The humidistat will turn the humidifier on when the relative humidity in your home is below the humidistat setting and will turn the humidifier off when the relative humidity reaches the humidistat setting. For initial operation set the humidistat in the "comfort zone" and adjust up or down from there to achieve the desired humidity level.

# Air Care® Filter

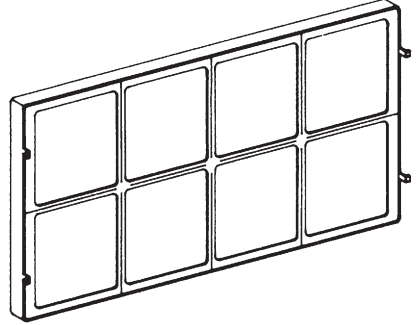
## MODEL 697 400

Air Care models feature a two-stage air filter which attaches to the back of the humidifier, which filters the air as it humidifies.

The first stage of the air filter is 3M FILTRETE™, a high efficiency, electrostatically-charged filter media which traps dust, pollen and airborne pollutants. The second stage of the Air Care filter is an activated carbon media which absorbs odors from cooking, pets or tobacco smoke. We recommend replacing the Air Care filter at least once a year, more often if necessary. When the white filter media is coated with a layer of dust and dirt, it is time to replace the Air Care filter.

The certified water output of your humidifier will be reduced when using the Air Care filter.

Air Care filters are optional and are not required for normal operation of the humidifier.



FILTRETE™ is a Trademark of 3M Corp.

# Care and Maintenance

**IMPORTANT:** We recommend cleaning your humidifier every two weeks. Follow instructions.

Humidifiers provide comfort by adding moisture to dry, heated indoor air. To get the most benefit from the humidifier and avoid product misuse, follow all instructions carefully, specifically the operation, care and maintenance guidelines. Please note this is an electrical appliance and requires careful attention when in use.

In addition, if you do not follow the recommended care and maintenance guidelines, microorganisms may be able to grow in the water within the humidifier's reservoir.

**Caution:** Disconnect power before cleaning or servicing unit.

**WARNING:** It is very important that cleaning solutions, such as bleach, bacteria treatment, or descaler which could be used to clean the cabinet are not sprayed or applied to the chassis/power pak assembly. Additionally, do not immerse the power pak in water or any other solution. These solutions can cause a serious electrical malfunction of the humidifier.

- 1) Turn unit off by turning humidistat completely counterclockwise.
- 2) Unplug electrical cord from wall outlet.
- 3) Unplug interlock plug from chassis/power pak receptacle.
- 4) Lift off top frame and remove both water bottles.  
**NOTE: Water bottles must be removed before chassis/power pak to prevent possible switch lever damage.**
- 5) Lift chassis/power pak unit from cabinet.

## REMOVING SCALE

- 6) Carefully lift wick from cabinet, allowing any water to drain from it into water channel.
- 7) Remove any remaining water in channel with a sponge. Fill water channel with one 8 oz. cup of undiluted white vinegar. Let solution stay 20 minutes. Clean all interior surfaces with soft brush. Dampen soft cloth with undiluted white vinegar and wipe out water channel to remove scale.
- 8) Rinse water channel thoroughly with water to remove scale and cleaning solution before disinfecting.

## DISINFECTING RESERVOIR

- 9) Fill water channel with mixture of one teaspoon chlorine bleach in one gallon of water. Let solution stay 20 minutes, swishing every few minutes. Make sure the cleaning solution does not come in contact with the chassis/power pak. Do not attempt to pour liquid directly through the grill into the humidifier cabinet.
- 10) Empty water channel after 20 minutes. Rinse with water until bleach smell is gone. Dry with clean cloth or paper towel.
- 11) Clean all surfaces of the chassis/ power pak with a soft dry cloth. **DO NOT USE LIQUID CLEANING SOLUTIONS, INCLUDING WATER, TO CLEAN THE CHASSIS/ POWER PAK. AN ELECTRIC SHOCK MAY RESULT OR THE HUMIDIFIER MAY BE DAMAGED.**
- 12) Remove water bottle cap and empty remaining water into a drain. Pour a mixture of one pint of water and two tablespoons of household bleach into each bottle. Replace caps and shake bottles thoroughly. Remove caps, drain bottle into sink, rinse well with fresh water.
- 13) Replace wick into water channel, allowing it to hang from the rib on the inside back wall of the cabinet.
- 14) Replace chassis/power pak unit into cabinet, ensuring that the chassis seats correctly on the back edge of the cabinet.
- 15) Replace water bottles into cabinet.
- 16) Replace end covers on to cabinet.
- 17) Plug cord set into interlock receptacle at back of unit. Plug cord set into wall outlet.
- 18) Reset humidistat to desired setting.

## EVAPORATIVE WICKS

- 19) We recommend replacing the wick at least once a season, more often in hard water areas. When the wick appears excessively clogged with mineral deposits, discard it and restore your humidifier's efficiency with a new wick. Bemis by Essick Air wick number 1041 fits all Bemis by Essick Air Console humidifiers. Call 1-800-547-3888 to order. Only Bemis by Essick Air Filters guarantee the certified output of your humidifier. Use of evaporative wicks other than Bemis by Essick Air evaporative wicks will void your warranty as well as the certification of output and may reduce the efficiency and output of your humidifier.



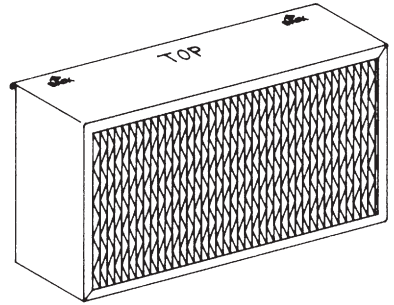
# Summer Storage

- 1) Clean unit as outlined in Care & Maintenance section.
- 2) Discard the used wick. Install a new Bemis by Essick Air wick at the beginning of the next season. Only Bemis by Essick Air wicks guarantee the rated output of your humidifier.
- 3) Allow humidifier to dry thoroughly before storage. Do not store with water inside unit.
- 4) Do not store unit in attic or other high-temperature area.
- 5) Clean humidifier and install new wick before the next season begins.
- 6) A convenient order form for wicks and accessories is found in the back of this manual.

# Accessories

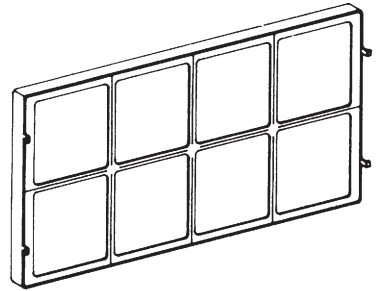
## Evaporative Wick

Model 1041. Replaceable evaporative wick continuously draws up moisture as it filters out mineral deposits. Reduces scale build-up in the unit. Only Bemis by Essick Air wicks are UL and AHAM certified to provide the rated performance from your Bemis by Essick Air Evaporative Humidifier.



## Air Care® Filter

Model 1051. Replaceable two-stage Air Care filter- 3M FILTRETE™ removes airborne particles and activated carbon removes odor. This is **not** standard on all units. It may however, be added as an accessory to any Bemis by Essick Air Console Humidifier.



## Bacteria Treatment

No.1970-32 oz. Bacteria Treatment Controls bacteria growth in humidifiers. Helps eliminate unpleasant odors. This solution should not be used to clean the humidifier chassis/power pak. Improper use of this solution can cause a serious electrical malfunction of the humidifier.



## Humidifier Descaler/Cleaner

No.1961-32 oz. Descaler/Cleaner Bemis by Essick Air Humidifier Descaler will clean and prepare your humidifier for efficient operation by removing any lime scale build-up or sediment in the water channel. This solution should not be used to clean the humidifier chassis/power pak. Improper use of this solution can cause a serious electrical malfunction of the humidifier.





BY **ESSICK** 

**HOME COMFORT DIVISION  
ONE-YEAR LIMITED WARRANTY**

The Bemis by Essick Air humidifier warranty covers defects in materials and workmanship for a period of one year from date of retail purchase. This warranty applies only to the original purchaser of the product.

Within the first 12 months from date of purchase, Essick Air will repair or replace, at its discretion, any defective part of the humidifier covered by this warranty.

This warranty gives you specific legal rights, and you may also have other rights which vary from state to state or province to province.

This warranty does not cover damage resulting from misuse or abuse of the humidifier, accidents or alterations to the product, commercial use or damage during shipment. Misuse includes malfunctions caused by negligence in cleaning or parts fouled with mineral deposits due to hard-water conditions. Alterations to the product include the substitution of non-Bemis by Essick Air brand components including, but not limited to, wicks.

If service becomes necessary, take or send the product to any Bemis by Essick Air service center.



**Essick Air Products, Inc.**

5800 Murray Street  
Little Rock, AR 72209  
501.562.1094

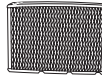




## ACCESSORY ORDER FORM

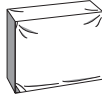
To keep your humidifier in top working condition, use only Bemis by Essick Air replacement parts.  
Only Bemis by Essick Air replacement wicks guarantee your humidifier will maintain its original AHAM certified output.

No. 1041  
Superwick for 400 & 600 Series  
Console & Credenza Humidifiers.  
\$15.99



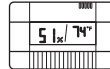
No. 1045  
Superwick for H12 Series  
Console Humidifiers  
\$18.99

No. H4000  
Summer Protective  
Dust Cover for 400 Series  
Console Humidifiers  
\$6.99



No. 1051  
Air Cleaner Filter for 400 & 600 Series  
Console & Credenza Tabletop Humidifiers  
\$17.99

No. 1043  
Superwick for 800 Series  
Space Saver Console Humidifiers  
\$12.99  
• Filter only, frame not included



No. 1990  
Digital Hygrometer/Comfort Sensor  
\$25.99  
• Digitally monitors temperature & humidity

No. 1970  
Bacteria Treatment, 32 oz.  
\$5.99  
• Helps Eliminate Bacteria & Algae Build-up  
• Strongly Recommended for Bemis Humidifiers  
& All Other Evaporative Humidifiers

No. 1961  
Humidifier Cleaner, 32 oz.  
\$3.99  
• Helps Remove Lime Scale  
• Aides in Cleaning Your Humidifier

Item #	Description	Qty	Unit Price	Amount
1041	Superwick for 400 and 600 Series Console Humidifiers		15.99	
1043	Superwick for 800 Series Space Saver Console Humidifiers		12.99	
1045	Superwick for H12 Series Console Humidifiers		18.99	
1051	Air Cleaner Filter for 400 and 600 Series Console Humidifier		17.99	
1961	Cleaner for all Humidifiers, 32 oz.		3.99	
1970	Bacteria Treatment, 32 oz.		5.99	
H4000	Summer Protective Cover for 400 Series Console Humidifiers		6.99	
1990	Digital Hygrometer/Comfort Sensor		25.99	

Shipping Schedule
\$0.00 - 19.99 . . \$4.00
\$20.00 - 49.99 . . \$6.00
\$50.00 - 99.99 . . \$8.00
\$100.00+ . . . \$10.00

TOTAL MERCHANDISE \_\_\_\_\_  
CT RESIDENTS ADD 6% TAX \_\_\_\_\_  
SHIPPING & HANDLING \_\_\_\_\_  
TOTAL INVOICE AMOUNT \_\_\_\_\_

Source Code	Revised
BEM 110	04/23/2004

Name \_\_\_\_\_

Address \_\_\_\_\_

City \_\_\_\_\_ State \_\_\_\_\_ Zip Code \_\_\_\_\_

Phone number \_\_\_\_\_

Email address \_\_\_\_\_

Enclosed is my:

- Check or Money Order (US Currency) payable to:  
**BEMIS BY ESSICK AIR**
- Visa/MasterCard       American Express       Discover

Card #: \_\_\_\_\_

Signature: \_\_\_\_\_

Expiration Date: \_\_\_\_\_

Web Orders: [www.bemis-parts-store.com](http://www.bemis-parts-store.com)

Telephone Orders: • Call toll free 1-800-547-3888  
• \$15.00 minimum telephone orders

Mail Orders: **BEMIS BY ESSICK AIR CONSUMER SERVICES**  
20 Constitution Boulevard, South  
P.O. Box 884  
Shelton, CT 06484-0884

**ORDERS ARE SHIPPED WITHIN 24 HOURS.**  
If outside the continental USA, call for FREIGHT CHARGES.



LEER Y CONSERVAR ESTAS INSTRUCCIONES

**BEMIS** Humidificador  
BY **ESSICK** Vaporizador

# MANUAL CUIDADO Y USO POR EL PROPIETARIO



## Modelos:

- 697 400 Credenza, Velocidad Variable con Filtro de Aire, Air Care®
- 696 400 Credenza, Velocidad Variable
- 696 100 Credenza de Velocidad Variable, Madera Gris

- El más fácil de llenar
- El más fácil de limpiar
- Regulación silenciosa para uso nocturno
- Humidistato automático
- Apagado automático

**BEMIS**  
BY **ESSICK**



PROTEJA EL MEDIO AMBIENTE  
RECICLE LOS MATERIALES APROPIADOS

Patentes 5,037,583; 5,110,511; 5,133,904  
Otras patentes pendientes

# Pautas Importantes de Seguridad

## LEER ANTES DE USAR SU HUMIDIFICADOR

- 1) Este artefacto tiene un enchufe polarizado (una espiga es más ancha que la otra). Para disminuir el riesgo de descarga eléctrica, este enchufe está diseñado para encajar tan solo de una forma en un tomacorriente polarizado de 120 voltios CA, 15 amp. Si el enchufe no encaja completamente en el tomacorriente, intentar conectarlo en sentido contrario. Si a pesar de eso no encaja, contactar a un electricista calificado. No intentar burlar esta característica de seguridad de manera alguna. Si tiene que utilizar un cordón de extensión, éste también debe aceptar el enchufe con espiga ancha y debe tener el voltaje adecuado.
- 2) No colocar el cordón debajo de alfombras, en áreas de tráfico, ni cerca de fuentes de calor.
- 3) No utilizar el humidificador si el cordón está dañado.
- 4) Siempre desconectar el cordón de corriente eléctrica antes de limpiar, dar servicio o cuando no se esté usando la unidad .
- 5) No colocar el humidificador cerca de cortinas sueltas, materiales combustibles u objetos que produzcan calor.
- 6) Este humidificador está aprobado por UL cuando tiene instalado el filtro/mecha vaporizador marca Bemis by Essick Air. Para mantener la calificación UL, visitar su estación de servicio para todas las reparaciones. Utilizar únicamente filtros/mecha de repuesto y químicos marca Bemis by Essick Air. Para ordenar repuestos y químicos llamar al 1-800-547-3888.
- 7) Se recomienda limpiar con regularidad. Referirse a la sección de CUIDADO Y MANTENIMIENTO en este manual.
- 8) Es muy importante no rociar ni aplicar al chasis/unidad de energía, soluciones limpiadoras ni otros líquidos como blanqueador, que puedan usarse para limpiar el gabinete. Estas soluciones pueden causar un serio mal funcionamiento eléctrico del humidificador.



# Introducción

Su humidificador Bemis by Essick Air agrega una humedad invisible a su hogar moviendo el aire seco que entra a través del filtro/mecha saturado de agua.

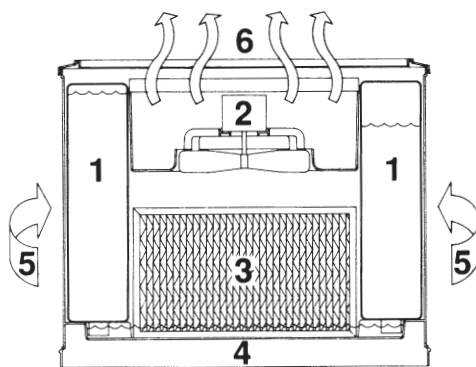
A medida que el aire pasa a través del filtro/mecha humedecido, el agua se va evaporando en el aire dejando atrás en la mecha que a su vez sirve de filtro, cualquier polvo blanco, minerales o sólidos disueltos y suspendidos.

Debido a que el agua se evapora, no existe niebla o rocío sucio ni polvo blanco, tan solo aire húmedo limpio e invisible. A medida que el filtro/mecha atrapa los minerales acumulados en el agua, su capacidad para absorber y evaporar agua va disminuyendo. Recomendamos cambiar el filtro/mecha por lo menos una vez por año, preferiblemente desechando el filtro/mecha usado al final de la temporada que necesita humedad adicional y comenzando con uno nuevo al inicio de la siguiente temporada que requiere humedad adicional. En áreas con aguas duras puede que sea necesario reemplazarlo más frecuentemente para conservar la eficiencia de su humidificador.

**PRECAUCIÓN** - Para eliminar el desarrollo bacteriano, Recomendamos el uso del Bactericida Bemis by Essick Air, o de un producto de potencia similar cada vez que se rellene las botellas de agua. Seguir las instrucciones para determinar la cantidad apropiada que debe añadirse a las botellas de agua de 2,6 galones (9,8Lt). El filtro/mecha de absorción no requiere de agentes anticalcificantes para el tratamiento de agua cuyo uso está destinado a humidificadores tipo Correa Rotatoria o Rueda de Agua.

Su humidificador está provisto de dos botellas de agua. Cuando una botella se haya vaciado, la luz indicadora para el relleno de agua se encenderá. Cuando las dos botellas estén vacías, el ventilador del humidificador se apagará automáticamente, pero comenzará a

El aire seco ingresa al humidificador por la parte superior y es humedecido a medida que pasa a través del filtro/mecha. Después es distribuido en la habitación por el ventilador.



1. Botellas de Agua
2. Chasis/Unidad de energía (ensamblaje del motor y ventilador)
3. Mecha/Filtro
4. Canal de Agua/Bandeja
5. Entrada de Aire Seco
6. Salida de Aire Húmedo

Ubicar el humidificador junto a una pared interior, cerca de un tomacorriente eléctrico. Para mejor resultado, el humidificador debe estar alejado de la pared por lo menos 4" (10 cm.). No colocar la unidad frente a un ducto de aire caliente o a un radiador.

# Ensamblaje y Operación

## ENSAMBLAJE Y OPERACIÓN

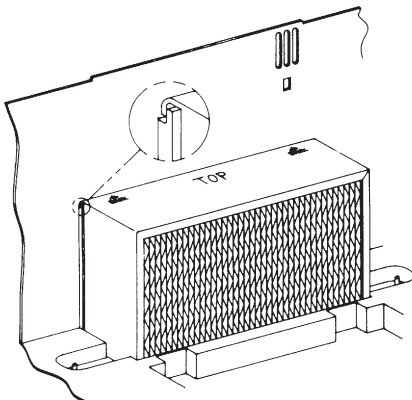
- 1) Sacar el humidificador de la caja.
- 2) Retirar todos los materiales de embalaje. Revisar para ver si se tienen los siguientes artículos antes de descartar el material de embalaje.

Manguera de llenado  
Bactericida  
Paquete de ruedas giratorias  
Mecha/filtro vaporizador  
Dos botellas de agua con tapas  
Filtro Air Care si la unidad es modelo "Air Care"

Nota: El filtro/mecha y el filtro de aire "Air Care" están embalados dentro de la unidad para evitar que se rompan durante el embarque. Éstos deben retirarse de la unidad e instalarse correctamente de acuerdo a estas instrucciones antes de operar la unidad para evitarle daños.

## RUEDAS

- 3) Retirar las botellas de agua, el chasis de la base del humidificador y el humidificador vaporizador. Colocar la base vacía del humidificador boca abajo. Instalar las ruedas insertando



su eje en uno de los cuatro orificios grandes ubicados en las cuatro esquinas de la base del humidificador. Presionar la rueda dentro del orificio tanto como sea posible. No forzarla.

- 4) Cuando las cuatro ruedas estén en su lugar, poner el gabinete de pie.

## FILTRO/MECHA VAPORIZADOR

- 5) El filtro/mecha tiene una moldura para su montaje en el borde superior que se engancha sobre una moldura en la parte interior de la pared posterior del gabinete. Esto le permite al filtro/mecha colgar en el canal de agua (ver la ilustración). Colgar el filtro/mecha en el gabinete como se indica.

## FILTRO PARA LIMPIAR EL AIRE Modelo 697 400

- 6) El filtro "Air Care" tiene cuatro aletas que se enganchan en cuatro ranuras para chaveteros que montan el filtro de aire "Air Care" en la parte exterior del panel posterior del gabinete.

## CHASIS/unidad de energía

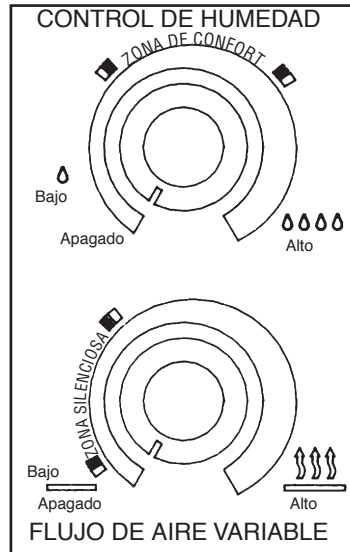
- 7) Colocar el chasis/unidad de energía dentro del gabinete asegurándose que el chasis/unidad de energía se asiente correctamente en los bordes ranurados de la parte anterior y posterior del gabinete.

## BOTELLAS

- 8) Llenar las botellas con agua fría, fresca, preferiblemente no ablandada. Si tan solo tiene disponible agua ablandada en su casa, puede utilizarla, pero notará una acumulación de minerales más rápida en el filtro/mecha vaporizador.

Las botellas tienen una capacidad de 2.6 galones (9,8 litros) cada una. Al llenar las botellas, tener cuidado de no presurizarlas llenándolas en exceso. Ésto puede dañar las botellas. Junto con el humidificador se proporciona una manguera de llenado que se adapta a la mayoría de los grifos. El conector del grifo puede enrollarse sobre sí mismo para ajustarse mejor a los grifos de diámetro pequeño o corto. Colocar las botellas de agua dentro del humidificador con el extremo de la tapa de válvula hacia abajo y hacia atrás del humidificador para que la tapa de válvula entre al canal de agua.

- 9) **Para eliminar el desarrollo bacteriano, recomendamos el uso del Bactericida Bemis by Essick Air cada vez que se llenen las botellas.** Agregar el bactericida siguiendo las instrucciones en la botella y luego ajustar las tapas de válvula en las botellas de agua.
- 10) Colocar el bastidor superior en el gabinete. Nota: El bastidor superior tiene pasadores de bisagra a lo largo de la parte trasera que se enganchan en los soportes de bisagra en la parte superior trasera del gabinete. Esta característica le permite levantar el bastidor en forma vertical para facilitar la limpieza y también permite mover hacia arriba el bastidor superior para brindar fácil acceso al panel de control y a las botellas de agua.
- 11) Enchufar un extremo del cordón en la parte posterior de la unidad.
- 12) Enchufar el otro extremo del cordón en el tomacorriente de la pared. El humidificador está listo para usarse.



- 13) Abrir la puerta del panel de control levantándola a lo largo del borde delantero. La velocidad variable del control del ventilador permite usar la velocidad baja (LOW) para una operación silenciosa y la velocidad alta (HIGH) para su producción máxima.
- 14) Todos los modelos tienen un Humidistato automático. El Humidistato arrancará el humidificador cuando la humedad relativa de su casa esté por debajo del nivel fijado en el Humidistato, y apagará el humidificador cuando la humedad relativa alcance el nivel fijado en el Humidistato. Para la operación inicial fijar el Humidistato en el medio de la "zona de confort" y desde ese nivel ajustar hacia arriba o hacia abajo hasta obtener el nivel de humedad.

# Filtro de aire Air Care®

## MODELO 697 400

Los modelos "Air Care" traen un filtro de aire de dos etapas que se coloca en la parte posterior del humidificador, el filtro de aire "Air Care" filtra el aire a medida que lo humidifica.

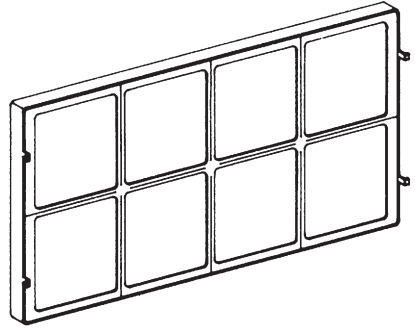
La primera etapa del filtro de aire es el FILTRETE de 3M, un filtro de alta eficiencia, electrostáticamente cargado que atrapa el polvo, el polen y los contaminantes del aire. La segunda etapa del filtro Air Care es carbón

activado que absorbe los olores de la cocina, las mascotas o el humo de tabaco. Recomendamos reemplazar el filtro "Air Care" por lo menos una vez al año, más a menudo si es necesario. Cuando la parte blanca del filtro está revestida con una capa de polvo y suciedad, es el momento de reemplazar el filtro Air Care.

La capacidad de su humidificador se verá reducida cuando esté usando el filtro Air Care.

Los filtros Air Care son opcionales y no son indispensables para la operación normal del humidificador.

FILTRETE es una marca registrada de 3M Corp.



# Cuidado y Mantenimiento

**IMPORTANTE:** Recomendamos limpiar su humidificador cada dos semanas. Seguir las Instrucciones.

Los humidificadores proporcionan confort añadiendo humedad al aire seco y caliente en recintos encerrados. Para obtener el mayor beneficio de su humidificador y evitar el mal uso de este artefacto, seguir cuidadosamente todas las instrucciones, en particular las instrucciones de operación, cuidado y mantenimiento. Por favor tomar nota que este es un aparato eléctrico y requiere de atención cuidadosa cuando está en uso.

Además, si no sigue las instrucciones de cuidado y mantenimiento recomendadas, existe la posibilidad de que se desarrollen microorganismos en el agua dentro del reservorio del humidificador.

**PRECAUCIÓN:** Desconectar la energía eléctrica antes de limpiar o darle servicio a la unidad.

**ADVERTENCIA:** Es muy importante no rociar las soluciones limpiadoras del gabinete como lejía, bactericida o discalcificador en el chasis/unidad de energía. Adicionalmente, no sumergir el chasis/unidad de energía en agua o ninguna otra solución. Estas soluciones pueden causar un serio mal funcionamiento eléctrico del humidificador.

- 1) Apagar la unidad girando el Humidistato contra el sentido del reloj.
- 2) Desenchufar el cordón eléctrico de la pared.
- 3) Desenchufar el otro extremo del cordón del chasis/unidad de energía del humidificador.
- 4) Levantar las cubiertas de los extremos y retirar ambas botellas de agua. **NOTA: Para prevenir posibles daños a la palanca interruptora, retirar las botellas de agua antes que el chasis/unidad de energía.**
- 5) Levantar el chasis/unidad de energía del gabinete.
- 6) Levantar cuidadosamente el filtro/mecha del gabinete, permitiendo que el agua del filtro/mecha drene al canal de agua.
- 7) Con una esponja secar el agua remanente en el canal. Llenar el canal con agua con una taza de 8 onz. (0.237 Lt.) de vina gre blanco sin diluir. Dejar que la solución repose por 20 minutos. Limpiar todas las superficies interiores con un cepillo suave. Limpiar el canal de agua con un paño suave empapado en vinagre blanco puro para remover las calcificaciones que hayan quedado.
- 8) Enjuagar completamente con agua fresca para eliminar las calcificaciones y la solución limpiadora antes de desinfectar.

## REMOCIÓN DE CALCIFICACIONES

- 6) Levantar cuidadosamente el

## DESINFECCIÓN DEL RESERVORIO

- 9) Llenar el canal de agua con una mezcla de una cucharada pequeña de blanqueador de cloro y un galón de agua. Dejar que la solución repose por 20 minutos, moviéndola a intervalos de varios minutos. Asegurarse que la solución limpiadora no entre en contacto con el chasis/unidad de energía. No intentar verter líquido dentro del gabinete del humidificador a través de la rejilla.
- 10) Vaciar el canal de agua después de 20 minutos. Enjuagarlo con agua hasta que el olor a blanqueador haya desaparecido. Secar con un paño limpio o con toallas de papel.
- 11) Limpiar todas las superficies del chasis/unidad de energía con un trapo seco y suave. **NO USAR LÍQUIDOS, SOLUCIONES DE LIMPIEZA NI AGUA PARA LIMPIAR EL CHASIS/UNIDAD DE ENERGÍA, PELIGRO DE CHOQUE ELÉCTRICO O DAÑO AL HUMIDIFICADOR.**
- 12) Quitar la tapa de la botella de agua y drenar el agua restante en un desagüe. Verter una mezcla de una pinta (0,473 Lt.) de agua y dos cucharadas de blanqueador de cloro casero en cada botella. Volver a colocar las tapas y agitar vigorosamente las botellas. Quitar las tapas, drenar el agua en el desagüe y enjuagar con agua fresca.
- 13) Volver a colocar el filtro/mecha en el canal del agua, permitiéndole colgar desde la moldura en la pared interior trasera del gabinete.
- 14) Volver a colocar el chasis/unidad de energía dentro del gabinete, asegurándose que se asiente correctamente en el borde posterior del gabinete.
- 15) Volver a colocar las botellas de agua en el gabinete
- 16) Volver a colocar las cubiertas de los extremos en el gabinete.
- 17) Volver a enchufar un extremo del cordón en la parte posterior del humidificador y el otro extremo en un tomacorriente.
- 18) Ajustar el humidistato al nivel deseado.

## FILTRO/MECHA VAPORIZADOR

- 19) Recomendamos reemplazar el filtro/mecha por lo menos una vez por temporada, y más frecuentemente en áreas con aguas duras. Cuando el filtro/mecha se encuentre excesivamente obstruido con depósitos minerales, desecharlo y recupere la eficiencia de su humidificador con un nuevo filtro/mecha marca Bemis by Essick Air. Filtro/mecha número 1041 que es compatible con todos los humidificadores de consola. Llamar al 1-800-547-3888 para ordenar. Solamente el filtro/mecha Bemis by Essick Air garantiza la capacidad de su humidificador. El uso de otros filtros/mecha anulará la garantía y puede reducir la capacidad de su humidificador.

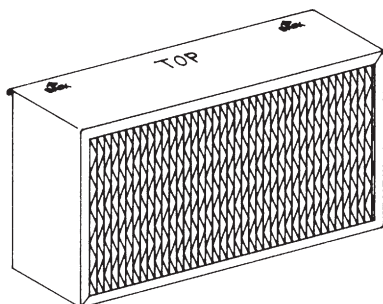
# Almacenamiento Durante el Verano

- 1) Limpiar la unidad como se indicó anteriormente.
- 2) Eliminar el filtro/mecha usado. Instalar un nuevo filtro/mecha Bemis by Essick Air al comienzo de la siguiente temporada. Sólo el filtro/mecha Bemis by Essick Air garantiza la eficiencia de su humidificador.
- 3) Permitir que el humidificador se seque por completo antes de almacenarlo. No almacenar la unidad si tiene agua en su interior.
- 4) No almacenar la unidad en áticos u otras áreas donde existan altas temperaturas.
- 5) Limpiar el humidificador e instalar el nuevo filtro/mecha vaporizador Bemis by Essick Air antes que comience la siguiente temporada.
- 6) En la parte posterior de este manual puede encontrar un formulario para ordenar filtros/mecha y accesorios.

# Accesorios

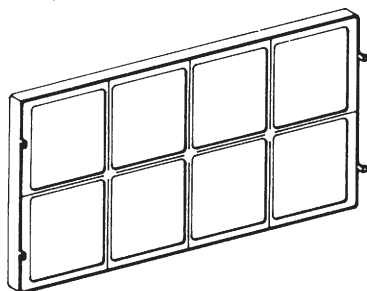
## Filtro/Mecha Vaporizador

Modelo 1041. El Filtro/Mecha reemplazable absorbe agua continuamente y la convierte en vapor mientras va filtrando los residuos minerales. Reduce la acumulación de la calcificación en la unidad. Solamente los filtros/mecha Bemis by Essick Air están certificados por UL y AHAM para permitir la capacidad certificada de su Humidificador Vaporizador Bemis by Essick Air.



## Filtro de Air Care®

Modelo 1051. Filtro Air Care de dos etapas reemplazable - el FILTRET® de 3M atrapa las partículas suspendidas en el aire y el carbón activado elimina los olores. Esto no es estándar en todas las unidades. Sin embargo, puede agregarse como un accesorio a cualquier humidificador de Bemis by Essick Air de consola.



## Bactericida

Bactericida No. 1970 - 32 onz. (0.95 Lt). Controla el desarrollo de bacterias en los humidificadores. Ayuda a eliminar los olores desagradables. Esta solución no deberá usarse para limpiar el chasis/unidad de energía del humidificador. El uso inapropiado de esta solución puede causar un serio mal funcionamiento eléctrico del humidificador.



## Descalcificador/Limpia dor Humidificadores

Descalcificador y Limpiador de Humidificadores No. 1961 - 32 onz. (0.95 Lt) de Bemis by Essick Air limpiará y preparará su humidificador para que opere eficientemente, removiendo cualquier sedimento o acumulación de calcio en el canal de agua. Esta solución no deberá usarse para limpiar el chasis/unidad de energía del humidificador. El uso inapropiado de esta solución puede causar un serio mal funcionamiento eléctrico del humidificador.







BY **ESSICK** 

## **DIVISIÓN DE CONFORT PARA EL HOGAR GARANTÍA LIMITADA DE UN AÑO**

La garantía del Humidificador Bemis by Essick Air cubre defectos de materiales y de mano de obra por un período de un año a partir de la fecha de compra al por menor. Esta garantía se aplica únicamente al comprador original del producto.

Dentro de los primeros 12 meses a partir de la fecha de compra, Essick Air reparará o reemplazará, a su discreción, cualquier parte defectuosa del humidificador cubierto por esta garantía.

Esta garantía le otorga derechos legales específicos, y usted podría tener otros derechos los cuales varían de un estado a otro y de una provincia a otra.

Esta garantía no cubre los daños ocasionados por mal uso o abuso del humidificador, accidentes o alteraciones al producto, uso comercial o daño durante el envío. El mal uso incluye los malos funcionamientos ocasionados por negligencia en el procedimiento de limpieza, o partes obstruidas con depósitos minerales debido a la presencia de condiciones de agua dura. Las alteraciones al producto incluyen la sustitución de componentes con otros de marca diferente a Bemis by Essick Air, incluyendo pero no limitándose a los filtros/mecha vaporizadores.

Si es necesario hacerle servicio, llevar o enviar la unidad a cualquier Estación de Servicio Bemis by Essick Air.



**Essick Air Products, Inc.**

5800 Murray Street  
Little Rock, AR 72209  
501.562.1094

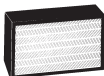




## FORMULARIO PARA ORDENAR ACCESORIOS

Para mantener su humidificador en condiciones óptimas de operación, use sólo repuestos Bemis by Essick Air. Sólo las mechas de repuesto Bemis by Essick Air garantizan que su humidificador mantenga la capacidad original certificada por AHAM.

No. 1041  
Supermecha para humidificadores de consola y credenza Serie 400 y 600.  
\$15.99



No. 1045  
Supermecha para humidificadores de consola Serie H12.  
\$18.99

No. H4000  
Forro antipolvo para humidificadores de consola serie 400  
\$6.99



No. 1051  
Filtro de aire para humidificadores de consola y de mesa Serie 400 y 600.  
\$17.99

No. 1043  
Supermecha para humidificadores Ahorradores de Espacio de consola Serie 800.  
\$12.99

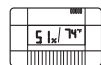


• Sólo el filtro, no incluye el marco.

No. 1970  
Bactericida, 946ml (32 Onz.)  
\$5.99



• Ayuda a eliminar la bacteria y la acumulación de algas.  
• Se recomienda para los humidificadores Bemis y todos los otros humidificadores vaporizadores.



No. 1990  
Hidrómetro digital/Sensor de confort \$25.99  
• Monitorea en forma digital la temperatura y humedad.

No. 1961  
Limpiador de humidificadores, 946ml (32 Onz.)  
\$3.99

• Ayuda a quitar el sarro acumulado.  
• Ayuda a limpiar el humidificador.

Art.	Descripción	Cart.	Unidad Precio	Montó
1041	Supermecha para humidificadores de consola y credenza Serie 400 y 600.		\$ 15.99	
1043	Supermecha para humidificadores Ahorradores de Espacio de consola Serie 800.		\$ 12.99	
1045	Supermecha para humidificadores de consola Serie H12		\$ 18.99	
1051	Filtro de aire para humidificadores de consola y de mesa Serie 400 y 600		\$ 17.99	
1961	Limpiador de humidificadores, 946ml (32 Onz.)		\$ 3.99	
1970	Bactericida, 946ml (32 Onz.)		\$ 5.99	
H4000	Forro para proteger humidificadores de consola serie 400 contra el polvo en el verano		\$ 6.99	
1990	Hidrómetro digital/Sensor de confort		\$ 25.99	

Tarifas para despachos	
\$0.00 - 19.99 . . .	\$4.00
\$20.00 - 49.99 . . .	\$6.00
\$50.00 - 99.99 . . .	\$8.00
\$100.00+ . . . . .	\$10.00

Total por la mercadería \_\_\_\_\_

Residentes de CT agregar impuesto de 6% \_\_\_\_\_

Flete y Manipuleo \_\_\_\_\_

Total de la factura \_\_\_\_\_

Source Code	Revised
BEM 110	04/23/2004

Nombre: \_\_\_\_\_

Dirección: \_\_\_\_\_

Ciudad: \_\_\_\_\_ Estado/Prov.: \_\_\_\_\_ Cod. Postal \_\_\_\_\_

Numero de teléfono: \_\_\_\_\_

Correo-e: \_\_\_\_\_

Ajunto mi: \_\_\_\_\_

Cheque u órden de Pago (en moneda de EE.UU.) a la orden de:

**BEMIS BY ESSICK AIR**

Visa/MasterCard

American Express

Discover

Tarjeta No.: \_\_\_\_\_

Firma: \_\_\_\_\_

Fecha de Expiración: \_\_\_\_\_

Órdenes por internet: [www.bemis-parts-store.com](http://www.bemis-parts-store.com)

Órdenes por teléfono: • Llamar gratis al 1-800-547-3888  
• Órdenes mínimas de \$15.00

Órdenes por correo: **BEMIS BY ESSICK AIR CONSUMER SERVICES**  
**20 Constitution Boulevard, South**  
**P.O. Box 884**  
**Shelton, CT 06484-0884**

Las órdenes se despachan dentro de las 24 horas.

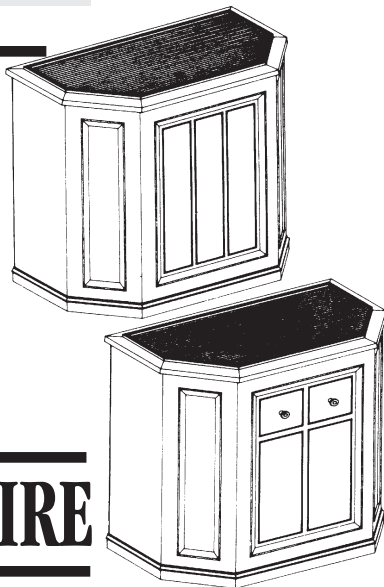
Para fuera de los EE.UU. Continental, llamar a preguntar por los cargos por flete.



LIRE ATTENTIVEMENT CES DIRECTIVES  
ET LES CONSERVER.

**BEMIS** Humidificateur  
évaporateur  
BY **ESSICK**

# GUIDE D'UTILISATION ET D'ENTRETIEN DU PROPRIÉTAIRE



## Modèles :

- 697 400 Crédence à vitesses variables avec filtre Air Care®
- 696 400 Crédence à vitesses variables
- 696 100 Crédence à vitesses variables de couleur de bois délavé

- *Le plus facile à remplir*
- *Le plus facile à nettoyer*
- *Réglage au mode silencieux pour utilisation durant la nuit*
- *Hygrostat automatique*
- *Arrêt automatique*



**BEMIS**  
BY **ESSICK**

PROTÉGER L'ENVIRONNEMENT  
RECYCLER LES MATIÈRES APPROPRIÉES.

Brevets : 5,037,583; 5,110,511; 5,133,904  
Autres brevets en instance.

# Mesures de sécurité importantes

## LIRE ATTENTIVEMENT AVANT D'UTILISER L'HUMIDIFICATEUR

- 1) Cet appareil est muni d'une fiche polarisée (une lame est plus large que l'autre). Pour réduire les risques de chocs électriques, cette fiche a été conçue pour s'insérer, d'une seule façon, dans une prise polarisée de 120 volts c.a., d'une puissance de 15 ampères. Si la fiche ne s'insère pas complètement dans la prise, retourner la fiche. Si elle ne s'insère toujours pas, communiquer avec un électricien qualifié. Ne pas tenter de contourner cette caractéristique de sécurité. Si l'utilisation d'unerallonge est nécessaire, celle-ci doit également accepter la lame large de la fiche et se conformer aux valeurs nominales d'électricité mentionnées.
- 2) Ne pas placer le cordon électrique sous un tapis, dans un endroit passant ou près d'une source de chaleur.
- 3) Ne pas utiliser l'humidificateur si le cordon est endommagé.
- 4) Débrancher toujours l'appareil avant de le nettoyer, de l'entretenir ou lorsqu'il n'est pas en fonction.
- 5) Ne pas placer l'humidificateur près de rideaux longs, de matières combustibles ou d'objets dégageant de la chaleur.
- 6) Cet humidificateur est approuvé par le UL avec le filtre à mèche d'évaporation de marque Bemis by Esick Air en place. Pour maintenir votre classification UL, voir le centre de service de la région pour toute réparation. N'utiliser que les produits chimiques et les filtres à mèche de marque Bemis by Esick Air en remplacement. Pour placer une commande de pièces, de filtres à mèche ou de produits chimiques, composer le numéro de libre-appel suivant : 1-800-547-3888.
- 7) Un nettoyage régulier est recommandé. Consulter le chapitre intitulé SOINS ET ENTRETIEN de ce guide.
- 8) Il est très important que les solutions de nettoyage et autres liquides qui peuvent être utilisés pour nettoyer le boîtier, tels que le chlore, ne soient pas vaporisés ni appliqués sur le bloc d'alimentation/châssis. Le contact avec ces solutions nettoyantes peuvent causer une défektivité électrique de l'humidificateur qui risque d'entraîner de graves conséquences.

# Introduction

L'humidificateur de Bemis by Essick Air ajoute une humidité invisible dans la maison en faisant passer l'air sec à travers un filtre à mèche saturé d'eau. Au fur et à mesure que l'air passe à travers le filtre à mèche, l'eau s'évapore dans l'air en laissant derrière toutes poussières blanches, minéraux et solides dissous ou en suspension. Étant donné que l'eau est évaporée, il n'y a aucune vaporisation d'eau ni brumes salissantes et aucunes poussières blanches; il n'y a que de l'air humidifié, propre et invisible. Au fur et à mesure que le filtre à mèche d'évaporation emprisonne et accumule les minéraux contenus dans l'eau, sa capacité d'absorption et d'évaporation diminue. Nous recommandons de changer le filtre à mèche au moins une fois par an; de préférence, en éliminant le filtre à mèche usé à la fin de la saison d'humidification et en commençant la saison d'humidification suivante avec un nouveau filtre à mèche. Dans les régions où l'eau est dure, un remplacement plus fréquent peut être nécessaire pour maintenir l'efficacité de l'humidificateur.

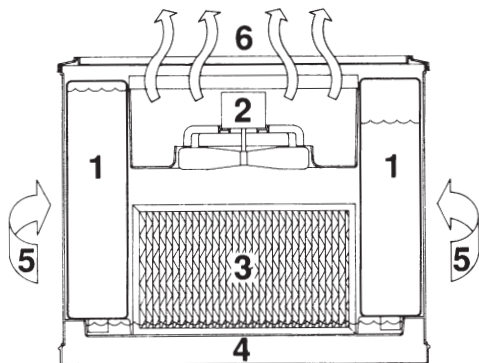
**MISE EN GARDE : Nous recommandons l'utilisation du traitement contre les bactéries Bemis by Essick Air Bacteria Treatment à chaque remplissage du récipient d'eau afin d'éliminer la croissance éventuelle des bactéries. Suivre les directives pour déterminer la quantité appropriée à ajouter au récipient d'eau de 9,85 L (2,6 gallons).**

Le filtre à mèche ne requiert pas l'emploi de traitements de l'eau du genre utilisant des agents de chélation qui sont conçus pour une utilisation dans les humidificateurs munis d'un centrifugeur ou d'une roue hydraulique.

L'humidificateur est muni de deux récipients d'eau. Lorsqu'un récipient d'eau est vide, le message "Refill bottle" s'allume. Lorsque les deux récipients d'eau sont vides, le ventilateur de l'humidificateur s'arrête automatiquement et se remet automatiquement en marche lorsque les deux récipients d'eau sont remplis à

*L'air sec est tiré à l'intérieur de l'humidificateur en passant par l'arrière de l'appareil. L'air est humidifié au fur et à mesure qu'il passe à travers le filtre à mèche d'évaporation. Il est ensuite poussé à l'extérieur, soit dans la pièce, par le ventilateur.*

- 1- Récipients d'eau
- 2- Châssis/bloc d'alimentation (montage du moteur et du ventilateur)
- 3- Filtre à mèche d'évaporation
- 4- Conduite d'eau/bac d'égouttement
- 5- Entrée de l'air sec
- 6- Sortie de l'air humidifié



Placer l'humidificateur contre un mur intérieur, près d'une prise de courant. Pour obtenir de meilleurs résultats, l'humidificateur doit être à au moins 10,2 cm (4 po) du mur. Ne pas placer l'humidificateur directement devant une bouche d'air chaud ou d'un radiateur.

# Assemblage et Fonctionnement

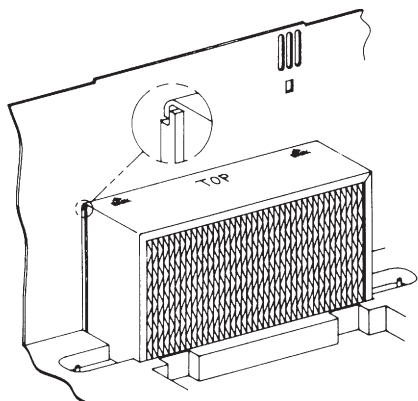
- 1) Déballez l'humidificateur.
- 2) Enlevez toutes les matières d'emballage. Vérifiez pour vous assurer que tous les articles suivants sont compris avant de jeter l'emballage :

Boyaux de remplissage  
Traitement contre les bactéries  
Ensemble de roues  
Filtre à mèche d'évaporation  
Deux récipients d'eau avec bouchon  
Filtre Air Care® si l'appareil est un modèle Air Care®.

Remarque : Le filtre à mèche et les filtres Air Care® sont emballés afin de prévenir tout bris lors du transport. Ils doivent être retirés de l'appareil et correctement installés, selon les directives, avant de faire fonctionner l'appareil afin d'éviter d'endommager celui-ci.

## ROUES

- 3) Retirez les récipients d'eau, le châssis et le filtre à mèche de la base de l'humidificateur.



Retournez la base de l'humidificateur vide à l'envers. Insérez une tige de roue dans chacun des gros orifices situés aux quatre coins de l'humidificateur. Les roues doivent bien s'ajuster et être enfoncées le plus loin possible, sans les forcer.

- 4) Retournez le meuble à l'endroit.

## FILTRE À MÈCHE D'ÉVAPORATION

- 5) Le filtre à mèche a une nervure de montage sur le dessus permettant de l'accrocher sur la rainure située à l'intérieur, à l'arrière du meuble. Cela permet de suspendre le filtre à mèche dans la conduite d'eau (voir schéma). Suspendre le filtre à mèche dans le meuble tel qu'indiqué.

## FILTRE À AIR (Modèle 697 400)

- 6) Le filtre Air Care® est muni de quatre pattes de fixation qui s'engagent dans quatre fentes situées sur la paroi extérieure, à l'arrière du meuble.

## CHÂSSIS/BLOC D'ALIMENTATION

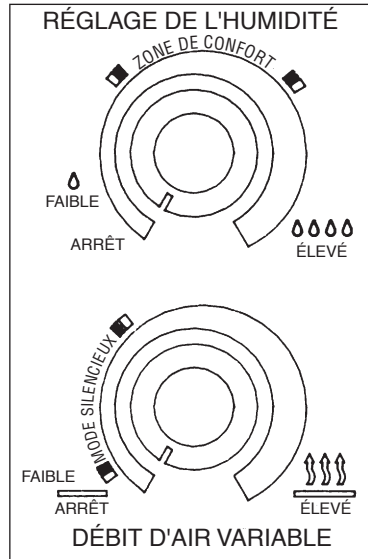
- 7) Placer le châssis/bloc d'alimentation dans le meuble en s'assurant qu'il repose correctement sur les rebords situés à l'avant et à l'arrière du meuble.

## RÉCIPIENTS D'EAU

- 8) Remplir les récipients d'eau avec de l'**eau fraîche** de préférence, une **eau non adoucie**. S'il n'y a que de l'eau adoucie de disponible à la maison, celle-ci peut être utilisée mais l'accumulation de minéraux sur le filtre à mèche se formera beaucoup plus rapidement.



La capacité de chaque récipient d'eau est de 9,85 L (2,6 gallons). Faire attention lors du remplissage, un trop-plein d'eau peut exercer trop de pression sur les récipients d'eau. Cela peut les endommager. Un boyau de remplissage, qui s'ajuste à la plupart des robinets, est fourni avec l'humidificateur. Le connecteur de robinet peut être replié sur lui-même afin de mieux convenir aux robinets courts ou de petits diamètres. Placer les récipients d'eau dans l'humidificateur avec le capuchon du clapet renversé et vers l'arrière de l'humidificateur afin que le capuchon du clapet pénètre dans la conduite d'eau.



- 9) **Nous recommandons d'utiliser le traitement contre les bactéries Bemis by Essick Air Bacteria Treatment à chaque remplissage des récipients d'eau afin d'éliminer la croissance éventuelle de bactéries.** Ajouter le bactériostat selon les directives inscrites sur la bouteille puis bien resserrer le capuchon de clapet des récipients d'eau.
- 10) Placer le dessus de la crédence sur la base du meuble. REMARQUE : Le dessus de la crédence est muni de charnières à l'arrière qui s'engagent dans les supports à charnières situés au haut de la base du meuble. Cette caractéristique permet non seulement, de soulever verticalement le dessus du meuble pour faciliter le nettoyage mais également, de le faire pivoter pour faciliter l'accès au tableau de commande et aux récipients d'eau.
- 11) Brancher le cordon dans la prise d'accouplement à l'arrière de l'appareil.
- 12) Brancher le cordon dans la prise murale. L'humidificateur est prêt à fonctionner.

- 13) Ouvrir le dessus de la crédence en le soulevant par le rebord à l'avant. Le réglage du ventilateur à vitesses variables permet d'utiliser une vitesse lente pour un mode silencieux ou une vitesse plus élevée pour un rendement maximal.
- 14) Tous les modèles sont munis d'un hygrostat automatique. L'hygrostat met l'appareil en marche lorsque l'humidité relative de la pièce est inférieure au réglage établi et éteint l'appareil lorsque l'humidité relative atteint le taux d'humidité voulu. Pour le fonctionnement initial, régler l'hygrostat à la "zone de confort" et à partir de là, ajuster un peu plus haut ou un peu plus bas pour atteindre le taux d'humidité voulu.

# Filtre Air Care®

## MODÈLE 697 400

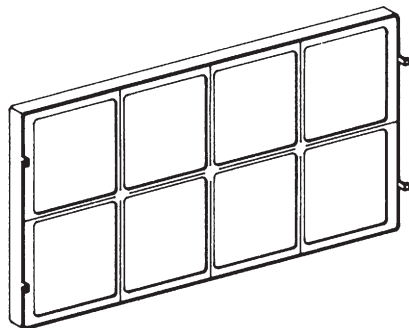
Les modèles Air Care® se caractérisent par un filtre à air à deux étapes. Ce filtre se fixe à l'arrière de l'humidificateur et filtre l'air tout en l'humidifiant.

La première étape du filtre à air est le 3M FILTRETE™, un médium filtrant chargé électrostatiquement qui capte la poussière, le pollen et les particules dans l'air. La deuxième étape du filtre Air Care® est un médium à charbon actif qui absorbe les odeurs provenant

de la cuisson, des animaux domestiques et de la fumée de tabac. Nous recommandons de remplacer le filtre à air au moins une fois par an, plus souvent si nécessaire. Lorsque le médium blanc est couvert d'une pellicule de poussières ou de saleté, il est temps de remplacer le filtre Air care®.

La sortie d'eau certifiée de l'humidificateur est réduite lors de l'utilisation du filtre à air. Les filtres Air Care® sont optionnels et ne sont pas requis pour le fonctionnement normal de l'humidificateur.

FILTRETE™ est une marque déposée de 3M Corp.



# Soins et Entretien

**Important : Nous recommandons de nettoyer l'humidificateur aux deux semaines. Suivre les directives.**

Les humidificateurs fournissent du confort en ajoutant de l'humidité à l'air sec d'une pièce chauffée. Afin de tirer le maximum d'avantages de l'humidificateur et d'éviter une mauvaise utilisation du produit, suivre attentivement toutes les directives, particulièrement celles qui portent sur le fonctionnement, les soins et l'entretien de l'appareil. Il est à noter que l'humidificateur est un appareil électrique; par conséquent, il doit être utilisé avec précautions.

De plus, le fait de ne pas suivre les directives recommandées dans les Soins et Entretien de l'appareil risque de favoriser la croissance de micro-organismes dans l'eau du récipient d'eau de l'humidificateur.

**Mise en garde : Débrancher l'appareil avant tout nettoyage ou entretien.**

**AVERTISSEMENT : Il est très important que les solutions nettoyantes qui peuvent être utilisées pour nettoyer le boîtier, telles que le chlore, le traitement contre les bactéries ou le détartreur, ne soient pas vaporisées ni appliquées sur le châssis/bloc d'alimentation. De plus, ne pas immerger le bloc d'alimentation dans de l'eau ni dans d'autres solutions. Le contact avec ces solutions peut causer une défectuosité électrique de l'humidificateur qui risque d'entraîner de graves conséquences.**

- 1) Éteindre l'appareil en tournant complètement le bouton de réglage de l'hygrostat dans le sens contraire des aiguilles d'une montre.
- 2) Débrancher l'appareil de la prise murale.
- 3) Débrancher la prise d'accouplement du châssis/bloc d'alimentation.
- 4) Soulever le dessus de la crédence et retirer les récipients d'eau.  
**REMARQUES : Les récipients d'eau doivent être enlevés avant le châssis/bloc d'alimentation afin de prévenir tout dommage possible au commutateur-interrupteur à levette.**
- 5) Retirer le châssis/bloc d'alimentation du meuble.

## DÉTARTRAGE

- 6) Soulever délicatement le filtre à mèche du meuble tout en le laissant s'égoutter dans la conduite d'eau.
- 7) Essuyer toute eau restante dans la conduite d'eau avec une éponge. Remplir la conduite d'eau avec une tasse (8 oz) de vinaigre blanc pur. Laisser agir la solution pendant 20 minutes. Nettoyer toutes les surfaces internes à l'aide d'une brosse à poils souples. Mouiller un chiffon doux avec du vinaigre blanc pur et essuyer la conduite d'eau pour enlever le calcaire.
- 8) Rincer abondamment la conduite d'eau avec de l'eau pour éliminer le calcaire et la solution nettoyante avant de désinfecter.

## DÉSINFECTION DU RÉCIPIENT D'EAU

9) Remplir la conduite d'eau avec une solution comprenant 1 c. à thé de chlore dans 3,79 L (1 gallon) d'eau. Laisser agir la solution pendant 20 minutes, en remuant de temps à autre. Éviter tout contact de la solution nettoyante avec le châssis/bloc d'alimentation. Ne pas tenter de verser le liquide directement à travers la grille dans le boîtier de l'humidificateur.

10) Vider la conduite d'eau après 20 minutes. Rincer avec de l'eau jusqu'à disparition de l'odeur de chlore. Essuyer avec un chiffon propre ou un essuie-mains.

11) Nettoyer toutes les surfaces du bloc d'alimentation/châssis avec un chiffon doux et sec. **NE PAS UTILISER DE SOLUTIONS NETTOYANTES LIQUIDES, Y COMPRIS DE L'EAU, POUR NETTOYER LE BLOC D'ALIMENTATION/CHÂSSIS. RISQUE DE CHOC ÉLECTRIQUE OU DE DOMMAGE À L'HUMIDIFICATEUR.**

12) Enlever le bouchon des récipients d'eau et vider l'eau restante dans un tuyau d'écoulement. Verser une solution de une pinte d'eau et de deux c. à table d'eau de javel dans chaque récipient d'eau. Remettre les bouchons et bien agiter les récipients d'eau. Enlever les bouchons, vider les récipients d'eau dans l'évier et bien rincer avec de l'eau fraîche.

13) Replacer le filtre à mèche dans la conduite d'eau en le suspendant à la nervure de la paroi arrière et interne du meuble.

14) Replacer le châssis/bloc d'alimentation dans le meuble en s'assurant qu'il s'ajuste parfaitement aux rebords arrière de ce dernier.

15) Remettre les récipients d'eau dans le meuble.

16) Replacer les couverts aux extrémités du meuble.

17) Brancher le cordon dans la prise d'accouplement à l'arrière de l'appareil. Brancher la fiche dans la prise murale.

18) Régler l'hygrostat à nouveau au taux désiré.

## FILTRE À MÈCHE D'ÉVAPORATION

19) Nous recommandons de remplacer le filtre à mèche au moins une fois par saison et plus souvent, dans les régions où l'eau est dure. Lorsque le filtre à mèche semble excessivement obstrué par des dépôts de minéraux, le jeter et rétablir l'efficacité de l'humidificateur avec un nouveau filtre à mèche. Le numéro 1041 de filtre à mèche de Bemis by Essick Air convient à tous les humidificateurs à console. Pour placer une commande, composer le 1-800-547-3888. Seuls les filtres de Bemis by Essick Air garantis sent le rendement certifié à la sortie de l'humidificateur. L'utilisation de filtres à mèche autres que filtres à mèche de Bemis by Essick Air annule la garantie, la certification de la valeur à la sortie et peut réduire l'efficacité à la sortie de l'humidificateur.

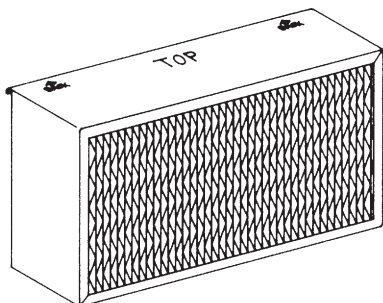
# Entreposage lors de la saison estivale

- 1) Nettoyer l'appareil tel qu'indiqué dans le chapitre intitulé Soins et Entretien.
- 2) Jeter le filtre à mèche usé. Installer un nouveau filtre à mèche Bemis by Essick Air au début de la saison suivante. Seule l'utilisation de filtres à mèche Bemis by Essick Air garantit le rendement certifié à la sortie de l'humidificateur.
- 3) Laisser sécher l'appareil complètement avant l'entreposage. Ne pas entreposer avec de l'eau dans l'appareil.
- 4) Ne pas entreposer l'appareil dans le grenier ou dans un endroit où la température est élevée.
- 5) Nettoyer l'humidificateur et installer un nouveau filtre à mèche avant le début de la saison suivante.
- 6) Un bon de commande pour les filtres à mèche et accessoires se trouve à l'arrière de ce guide.

# Accessoires

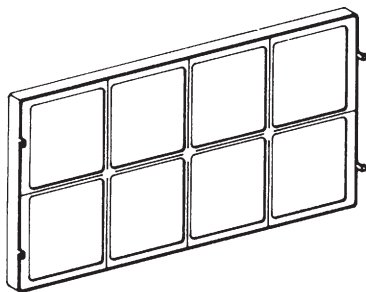
## Filtre à mèche d'évaporation

Le modèle 1041. Le filtre à mèche d'évaporation remplaçable dégage continuellement de l'humidité tout en captant les dépôts de minéraux. Il réduit l'accumulation de calcaire dans l'appareil. Seuls les filtres à mèche Bemis by Essick Air fournissent le rendement certifié par l'UL et le AHAM pour l'humidificateur de Bemis by Essick Air.



## Filtre Air Care®

Modèle 1051. Le filtre Air Care® à deux étapes (remplaçable) - 3M FILTRETTE™ retire les impuretés dans l'air et le charbon actif, élimine les odeurs. Il n'est pas standard dans tous les appareils. Il peut toutefois être ajouté comme accessoire dans n'importe quel humidificateur à console de Bemis by Essick Air.



## Traitement contre les bactéries

Traitement contre les bactéries  
N° : 1970-32 oz.

Contrôle la croissance des bactéries dans les humidificateurs. Aide à éliminer les odeurs désagréables. Cette solution ne doit pas être utilisée pour nettoyer le châssis/bloc d'alimentation de l'humidificateur. Une mauvaise utilisation de la solution peut causer une défectuosité électrique de l'humidificateur qui risque d'entraîner de graves conséquences.



## Nettoyeur/Détartreur pour humidificateur

Nettoyeur/détartreur pour humidificateur  
N° : 1961-32 oz.

Le détartreur pour humidificateur Bemis by Essick Air nettoie et rétablit l'état de l'humidificateur pour assurer un fonctionnement efficace en enlevant tout sédiment ou toute accumulation de calcaire dans la conduite d'eau. Cette solution ne doit pas être utilisée pour nettoyer le châssis/bloc d'alimentation de l'humidificateur. Une mauvaise utilisation de la solution peut causer une défectuosité électrique de l'humidificateur qui risque d'entraîner de graves conséquences.





BY **ESSICK** 

**DIVISION DU CONFORT À LA MAISON  
GARANTIE LIMITÉE DE UN AN**

La garantie sur l'humidificateur Bemis by Essick Air porte sur tous défauts dans la matière ou la fabrication et ce, pour une période de un an, à compter de la date d'achat chez le détaillant. Cette garantie ne s'applique que pour l'acheteur d'origine de ce produit. Dans les 12 premiers mois de la date d'achat, Essick Air répare ou remplace, à sa discrétion, toute pièce défectueuse comprise dans cette garantie.

Cette garantie vous donne des droits particuliers. Il se peut que vous ayez d'autres droits qui varient d'un état à l'autre ou d'une province à l'autre.

Cette garantie ne couvre pas les dommages causés par une mauvaise utilisation, un emploi abusif, un accident ou des modifications portées sur le produit, une utilisation commerciale ou des dommages subis lors du transport. Une mauvaise utilisation comprend un mauvais fonctionnement de l'appareil dû à de la négligence dans le nettoyage ou à des pièces souillées de dépôts de minéraux en raison de la dureté de l'eau. Les modifications portées au produit comprennent la substitution pour des éléments autres que ceux de marque Bemis by Essick Air y compris, mais sans limiter, les filtres à mèche.

Pour toute réparation, apporter ou envoyer le produit à n'importe quel Centre de service Bemis by Essick Air.



**Essick Air Products, Inc.**  
5800 Murray Street  
Little Rock, AR 72209  
501.562.1094







## BON DE COMMANDE POUR LES ACCESSOIRES

Pour maintenir votre humidificateur en excellente condition, n'utilisez que les pièces de rechange de Bemis by Essick Air. Seules les mèches de rechange de Bemis by Essick Air peuvent assurer que votre humidificateur maintienne sa capacité de rendement à la sortie qui est homologuée par l'AHAM.

No : 1041  
Superwick pour les humidificateurs à console et à credenza des séries 400 et 600.  
15,99 \$



No : 1045  
Superwick pour les humidificateurs à console de la série H12.  
18,99 \$



No : H4000  
Housse de protection contre la poussière durant l'été pour les humidificateurs à console de la série 400.  
6,99 \$



No : 1051  
Filtre Air Cleaner pour les humidificateurs de table à console ou credenza des séries 400 et 600.  
17,99 \$



No : 1043  
Superwick pour les humidificateurs à console compact « Space Saver ».  
12,99 \$



No : 1990  
Hygromètre numérique/Senseur Confort  
25,99 \$

\* Filtre seulement, structure non comprise.

No : 1970  
Traitement contre les bactéries, 32 oz  
5,99 \$



No : 1961  
Nettoyeur pour humidificateur, 32 oz  
3,99 \$

- Favorise l'élimination de la prolifération des bactéries et du fungus.
- Produit fortement recommandé pour les humidificateurs de Bemis et autres humidificateurs à évaporation.

- Favorise l'élimination de calcaire.
- Facilite le nettoyage de l'humidificateur

Article no :	Description	Quant.	Prix	Coût
1041	Superwick pour humidificateurs à console de séries 400 et 600		15,99 \$	
1043	Superwick pour humidificateurs à console compact "Space Saver"		12,99 \$	
1045	Superwick pour humidificateurs à console de série H12		18,99 \$	
1051	Filtre Air Cleaner, pour humidificateurs à console de séries 400 et 600		17,99 \$	
1961	Nettoyeur pour tous humidificateurs, 946 mL (32 oz)		3,99 \$	
1970	Traitement contre les bactéries, 946 mL (32 oz)		5,99 \$	
H4000	Housse de protection contre la poussière durant l'été pour humidificateurs à console de série 400		6,99 \$	
1990	Hygromètre numérique/Senseur Confort		25,99 \$	

Tarif d'expédition	
\$0.00 - 19.99 . . .	\$4.00
\$20.00 - 49.99 . . .	\$6.00
\$50.00 - 99.99 . . .	\$8.00
\$100.00+ . . . . .	\$10.00

COÛT TOTAL DE LA MARCHANDISE : \_\_\_\_\_

TAXE DE 6 % POUR LES RÉSIDENTS DU CT : \_\_\_\_\_

FRAIS DE TRANSPORT ET DE MANUTENTION : \_\_\_\_\_

MONTANT TOTAL DE LA FACTURE : \_\_\_\_\_

Source Code	Revised
BEM 110	04/23/2004

Nom : \_\_\_\_\_

Adresse : \_\_\_\_\_

Ville : \_\_\_\_\_ Province : \_\_\_\_\_ Code postal : \_\_\_\_\_

Tél No : \_\_\_\_\_

Adresse élect : \_\_\_\_\_

Vous trouvez ci-joint mon :

Chèque ou mandat poste (en devises américaines) à l'ordre de :

**BEMIS BY ESSICK AIR**

Visa/MasterCard     American Express     Discover

Carte no : \_\_\_\_\_

Signature : \_\_\_\_\_

Date d'échéance : \_\_\_\_\_

Commandes sur le Web : [www.bemis-parts-store.com](http://www.bemis-parts-store.com)

Commande par téléphone :  
• Composez sans frais le : 1-800-547-3888  
• Les commandes par téléphone doivent être d'un minimum de 15 \$.

Commande par correspondance : **BEMIS BY ESSICK AIR CONSUMER SERVICES**  
20 Constitution Boulevard, South  
P.O. Box 884  
Shelton, CT 06484-0884

**LES COMMANDES SONT EXPÉDIÉES DANS LES 24 H.**

À l'extérieur des É.-U., communiquez avec nous pour connaître les frais de fret.



## **Authorized Repair and Service Stations**

For a list of service stations authorized to make both in-warranty and out-of-warranty repairs to Bemis by Essick Air humidifiers, go to the humidifier section of our web site <http://www.essickair.com> or e-mail: [info@essickair.com](mailto:info@essickair.com). Contact your local service station or retailer for accessories and parts. If unable to obtain them from your local source, call or write:

## **Estaciones Autorizadas para Reparaciones y Servicio**

Para una lista de estaciones servicio autorizadas para reparar humidificadores Bemis by Essick Air tanto bajo la garantía como fuera de ésta, visite la sección de humidificadores en nuestro sitio en la internet <http://www.essickair.com> or e-mail: [info@essickair.com](mailto:info@essickair.com) contáctese con la estación de servicio local o lugar de ventas al detalle de accesorios y repuestos. Si no le es posible obtenerla de sus fuentes locales, llámenos o escribanos a:

## **Centres autorisés pour réparations et service**

Pour obtenir une liste des centres de service autorisés à effectuer les réparations sous garantie et hors garantie des humidificateurs Bemis by Essick Air, rendez vous à la section « Humidificateurs » de notre site Web au <http://www.essickair.com> or e-mail: [info@essickair.com](mailto:info@essickair.com). Pour l'achat d'accessoires et de pièces, communiquez avec votre centre de service le plus près. S'il vous est impossible d'en faire l'achat auprès de votre ressource locale, appelez-nous ou écrivez-nous au:

### **Bemis by Essick Air Customer Service**

20 Constitution Boulevard, South  
P.O. Box 884  
Shelton, CT 06484-0884  
Phone: 800-547-3888





**Essick Air Products, Inc.**

5800 Murray Street  
Little Rock, AR 72209  
501.562.1094