

B Bins

Bin Door/Hinge PIN-NSF – Installation Instructions

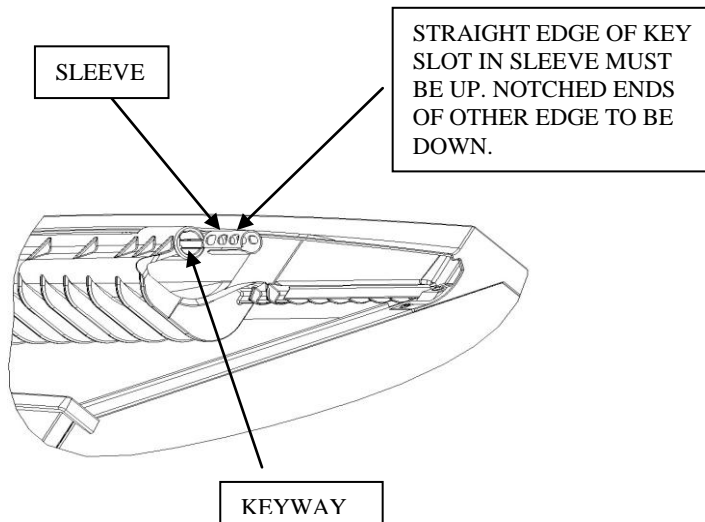
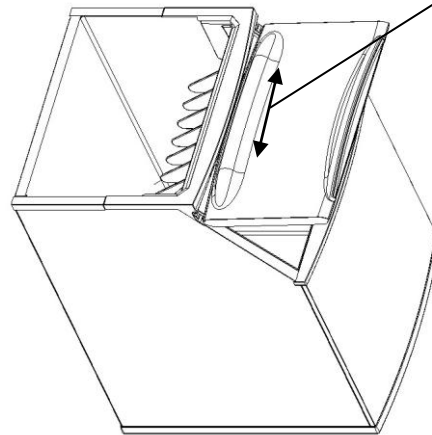
To Remove Bin Door

Step 1: Hold door open in horizontal position.

Step 2: Reach under bin door. Grasp (white) pull tab on hinge pin assembly and pull out towards bin sides.

NOTE: If hinge pin doesn't have white tab, use long shafted screwdriver to push hinge pins from center of ice deflector outward towards bin door sides.

STEP 2: PULL TOWARDS SIDES



To Replace Hinge Sleeves

Step 1: While noting key slot and end notch locations, remove hinge sleeves.

Step 2: While noting key slot and end notch locations, insert new hinge sleeves with the same orientation as the old hinge sleeves.

Step 3: Apply a generous amount of food machinery grease on inside surface of sleeve to thoroughly coat surface.

To Replace Hinge Pins and Reinstall Bin Door

Step 1: Align key slot in hinge pins with door keyway. Push hinge pins into door sides.

Step 2: Refer to door removal and reverse procedure.

Step 3: If bin door does not stay open, hold the door in vertical position and slide hinge pins side to side until balls engage into sleeve holes.

