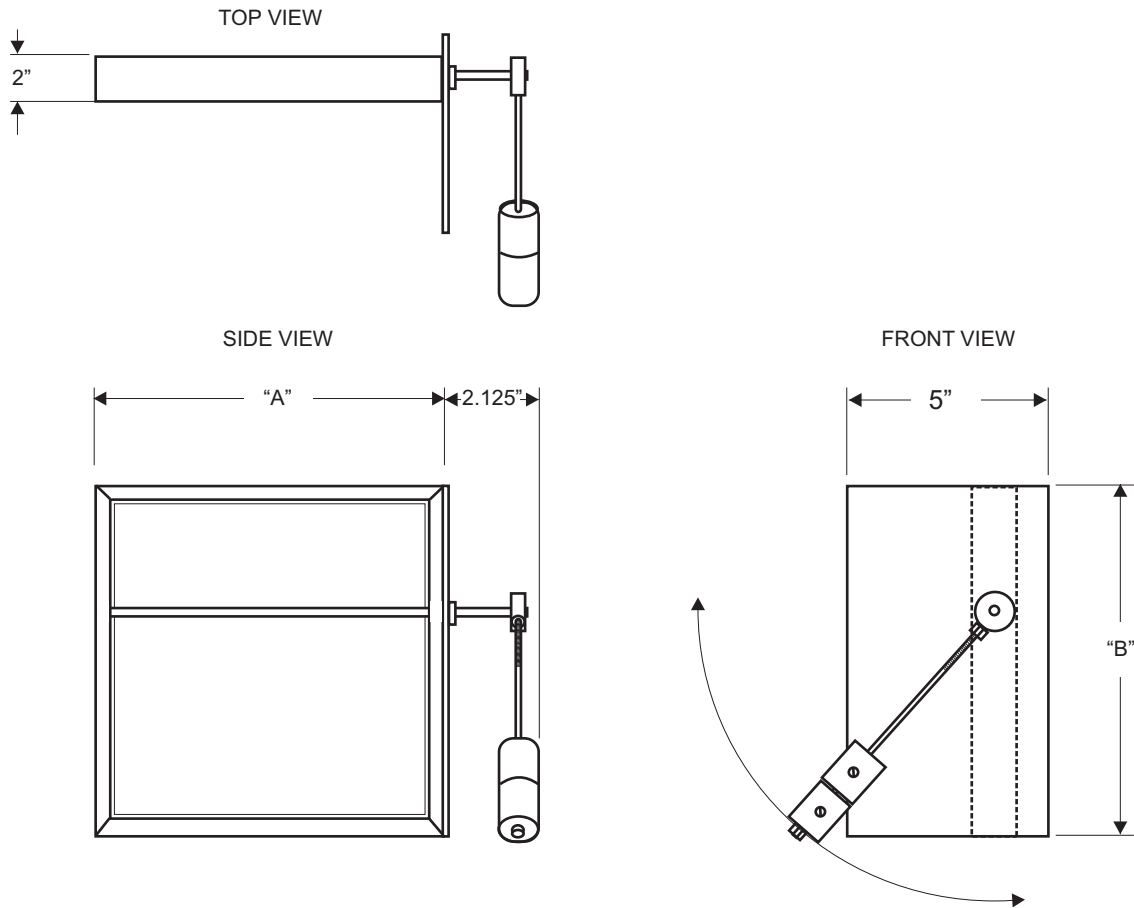


SPECIFICATION SHEET

BH-XXXX Rectangular, Barometric Bypass Dampers



SPECIFICATIONS

DIMENSIONS:

Damper models BH-XXXX are sized width (A) by height (B) with actuator arm weight on the (B) dimension. Actual (A) and (B) dimensions are undercut 1/4".

SIZES:

12" x 8", 12" x 10", 12" x 12", 20" x 8", 20" x 10", 20" x 12"

APPLICATION:

Compatible for zone control and other HVAC applications with static pressures less than .05" w.c.

CONSTRUCTION:

22 gauge zinc plated steel frame
Single blade design
Adjustable weights

Drawings are intended to show general, overall product dimensions and provide guidance for installation clearance. Drawings are not to scale. Jackson Systems reserves the right to make product changes without notification or obligation.