

Airetrak 1A

ADVANTAGE™ PRODUCT GUIDE

Airetrak 1A
Advantage™



Patented
ETL Listed

The Airetrak 1A Advantage™ is a microprocessor based timer and fan speed control, controlling ventilation 24 hours a day, every day. The override switch provides full speed operation: Press the override switch to run the fan at full speed for twenty minutes, or press it again to turn it off.



Features a full function 24 hour clock display with independent fan and fan light control. Can switch up to 3.0 amps and has a field replaceable fuse. Choose from a wide range of programming capabilities. Your program is maintained in the event of a power outage and carries a one year warranty.



Tamarack
Technologies, Inc.

Ventilation Solutions
www.tamtech.com

320 Main Street • Buzzards Bay, Ma 02532
508-759-4660 / 800-222-5932 / Fax 508-759-6001

Programming the Airetrak 1A Advantage™

Airetrak 1A Advantage™

1. To set the clock: Push the **Power** button. Hold both the **Fan/Light** and **Fan Only** buttons down until the LCD starts flashing (about 5 seconds). The **Fan/Light** button will adjust the time up. The **Fan Only** button will adjust the time down (holding either of these buttons down will adjust the time more quickly). After the time is set, push the **Power** button again. this will set the time into memory.
2. To program the **Time Set (TS)**: This determines how many hours each day the Advantage will operate the fan, either 24 hours or 12 hours. The 12 hour period is from 6PM to 6AM. Push the **Power** button again. Push the button marked **TS** the display will show 24 or 12.. To change the setting, push the **Fan/Light** or **Fan Only** button to shift from 24 to 12.
3. To program the **Speed Set (SS)**: This determines the speed at which the fan will operate. 1 is full speed. As you go higher in number, the fan speed will be lower. Push the button marked **SS** twice. The display will show 1-12. To change the speed, push the **Fan/Light** or **Fan Only** button to set your number.
4. To program the **Duty Cycle (DC)**: This determines how many minutes of each hour the Advantage will operate the fan. The time is in 5 minute intervals. Push the button marked **DC** twice. The display will show 5, 10, 15 minutes etc. To change, push the **Fan/Light** or **Fan Only** button to set the run time.
5. To program the **Override (OVR)**: This determines how long the fan will run at full speed when either the **Fan/Light** or **Fan Only** button is pressed. 1 is continuous, 2 is 20 minutes and 3 is 40 minutes run time. Push the button marked **OVR** twice. The display will show 1, 2 or 3. To change the override, push the **Fan/Light** or **Fan Only** button. The programming is now complete. the display will flash for 15 seconds, then return to the clock display.
 - The program will now run the fan at the top of the hour at the speed and duration you have set.
 - In the event of a power outage, the program will not be lost, although the clock will need to be reset.

To avoid having the Fan or Light time out, restart the timer by pushing the **Fan/Light** button again.

If you just want to leave the fan running for the 20 or 40 minutes Override when exiting the bathroom, the **Fan Only** button must be pushed.

Specifications

Input120 VAC 60 Hz

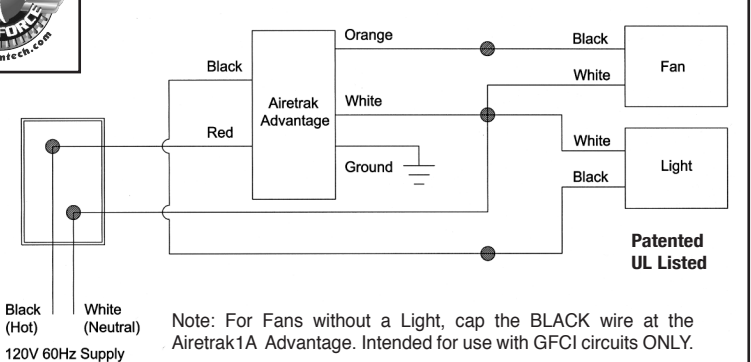
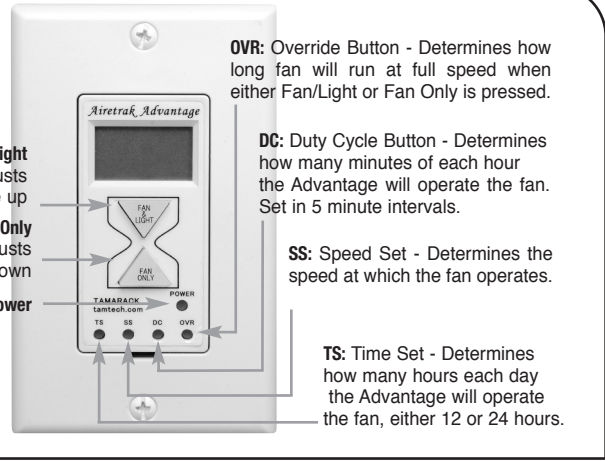
Maximum Power Output300 Watts

Dimensions

Mounting Flange4 1/8" x 1 3/4"

Housing2 3/4" x 1 3/4"x1 5/8"

WARNING: State and local electrical codes may require that the Airetrak 1A Advantage™ be installed by a licensed electrician, check with your local code officials before installing. Some ventilation equipment should not be used with a solid state speed control. Please check with the manufacturer. Intended for use with GFCI circuits ONLY.



Intended for installation in either a metal outlet box or a plastic outlet box. **CAUTION: DO NOT USE THIS CONTROL IN AN INSULATED WALL (ATTENTION: NE PAS UTILISER CETTE COMMANDE DANS UN MUR ISOLE.)**

LIMITED WARRANTY IF, WITHIN THE PERIOD OF ONE YEAR FROM DATE OF PURCHASE THE AIRETRAK 1A ADVANTAGE™ (THE PRODUCT) IS DEFECTIVE OR MALFUNCTIONS IN NORMAL HOME USE, TAMARACK WILL REPAIR OR REPLACE THE product AT ITS DISCRETION WITHOUT CHARGE FOR LABOR OR MATERIALS. CUSTOMER IS RESPONSIBLE FOR SHIPPING CHARGES.

CONDITIONS, EXCLUSIONS, AND LIMITATIONS -THIS WARRANTY IS SUBJECT TO THE FOLLOWING CONDITIONS, EXCLUSIONS AND LIMITATIONS. THIS WARRANTY DOES NOT COVER PROBLEMS RESULTING FROM INSTALLATION, OPERATION OR MAINTENANCE THAT HAS BEEN UNDERTAKEN OTHER THAN IN ACCORDANCE WITH THE INSTRUCTIONS. THIS WARRANTY DOES NOT COVER PROBLEMS RESULTING FROM DEFECTS IN OR CAUSED BY ASSOCIATED EQUIPMENT (FURNACES, SOLARIA, ETC.) ; FROM REPAIRS OR MODIFICATIONS ATTEMPTED BY PERSONS OTHER THAN TAMARACK.; FROM ABUSE, ACCIDENTAL OR SHIPPING DAMAGE, ACTS OF GOD. THIS WARRANTY DOES NOT APPLY TO THE PRODUCT USED OUTSIDE THE UNITED STATES, ITS TERRITORIAL POSSESSIONS AND CANADA. EXCEPT AS SET FORTH ABOVE, NO EXPRESS OR IMPLIED WARRANTY IS GIVEN OR AUTHORIZED BY TAMARACK. AND ALL OTHER SUCH WARRANTIES ARE EXPRESSLY DISCLAIMED. ANY WARRANTY OR MERCHANTABILITY OF FITNESS FOR ANY PARTICULAR PURPOSE SHALL BE LIMITED TO THE WARRANTY HEREUNDER. MOREOVER, ANY LIABILITY OF TAMARACK FOR THE PRODUCT SHALL BE LIMITED TO THE REPLACEMENT OF THE PRODUCT. IN NO EVENT SHALL TAMARACK BE LIABLE FOR ANY INCIDENTAL DAMAGES OR FOR ANY CONSEQUENTIAL PROPERTY OR COMMERCIAL DAMAGES, IRRESPECTIVE OF THE CAUSE THEREOF, OCCURRING EITHER DURING OR AFTER THE WARRANTY PERIOD. INCLUDING WITHOUT LIMITATION ANY DAMAGE TO ANY PART OF A BUILDING OR ITS CONTENTS. NOTE: SOME STATES DO NOT ALLOW THE EXCLUSION OR LIMITATION OF INCIDENTAL OR CONSEQUENTIAL DAMAGES AND SOME STATES DO NOT ALLOW LIMITATIONS ON HOW LONG AN IMPLIED WARRANTY LASTS, SO THE ABOVE LIMITATIONS OR EXCLUSIONS MAY NOT APPLY TO YOU. THIS WARRANTY GIVES YOU SPECIFIC LEGAL RIGHTS AND YOU MAY ALSO HAVE OTHER RIGHTS THAT VARY FROM STATE TO STATE. **PROOF OF PURCHASE REQUIRED.**



P/N AA.2

320 Main Street • Buzzards Bay, Ma 02532
508-759-4660 / 800-222-5932 / Fax 508-759-6001