



GALVANIZED STEEL



STAINLESS STEEL



COPPER

HIGH PERFORMANCE ROOF CAPS are carefully designed and constructed as an important functional and integral component to any exhaust ventilation system.

Typical Specification

General: American ALDES Ventilation's HIGH PERFORMANCE ROOF CAPS are engineered to minimize noise and pressure resistance for maximum airflow, while effectively removing moisture and condensation from the duct system. All roof caps are designed for durability and high aesthetic value.

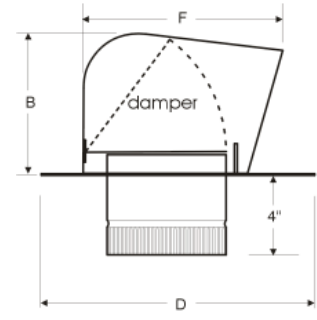
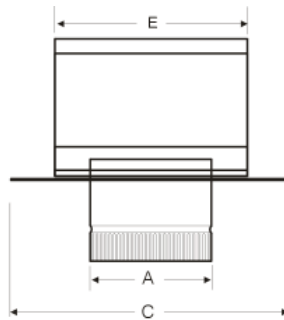
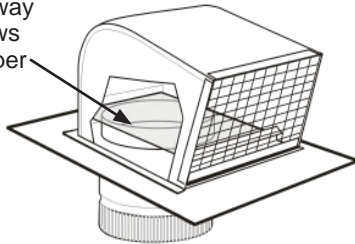
Construction: American ALDES Ventilation's low profile, low pressure

drop roof caps include integral back draft/weather dampers, bird screening, no-leak roof flashing, and extended duct collars for simple installation. Available in heavy gauge G90 galvanized steel, 314 2B finish stainless steel or solid copper type Ca 110.

Installing the Roof Caps: All caps are designed for installation on any roof pitch or shingling.

DIMENSIONAL DATA:

Cut away Shows Damper



Size	Description	Galvanized Part No.	Stainless Steel Part No.	Copper Part No.	A	B	C	D	E	F
4"	with Backdraft Damper	22 043	22 043 SS	22 043 COP	4	5.5	11.75	11.75	6	7.50
5"	with Backdraft Damper	22 044	22 044 SS	22 044 COP	5	5.5	11.75	11.75	6	7.50
6"	with Backdraft Damper	22 046	22 046 SS	22 046 COP	6	7.0	13.75	13.75	8	10.00
8"	with Backdraft Damper	22 048	22 048 SS	22 048 COP	8	8.0	15.75	15.75	10	11.75
10"	with Backdraft Damper	22 051	22 051 SS	22 051 COP	10	10.0	19.75	19.75	14	14.50
12"	with Backdraft Damper	22 052	22 052 SS	22 052 COP	12	12.0	21.75	21.75	16	17.50

ALL SIZES ARE IN INCHES. *Above Galvanized Steel Items (4" to 8" are 26 gauge; 10" and 12" are 24 gauge).

Materials: Galvanized Steel G-90, Copper Type Ca110, Stainless Type 314-2B Finish SMACNA GAUGE ACCORDING TO SIZE. Damper: Aluminum sheet, 0.020"

WARRANTY

The entire unit is guaranteed for 3 years, from date of shipment, against all manufacturing defects provided the material has been installed and operated per manufacturer's instructions and under normal conditions. Warranty is limited to the repair or replacement of the material upon its return freight paid to our factory.

This warranty is not transferable and is limited to the original end user.