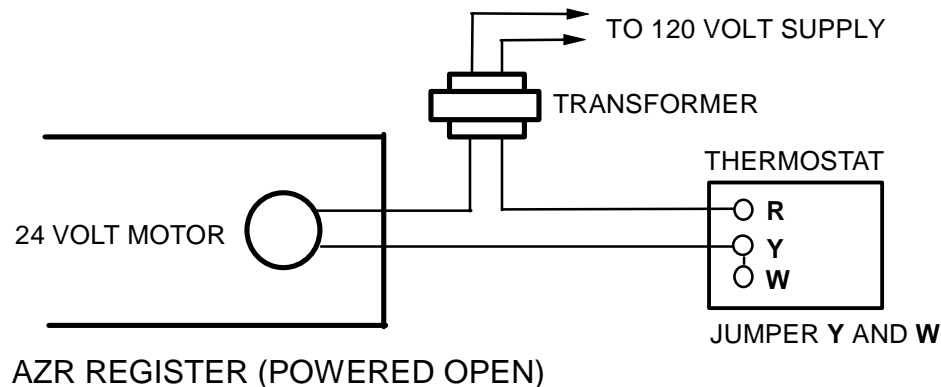


AZR Automatic Zone Register™

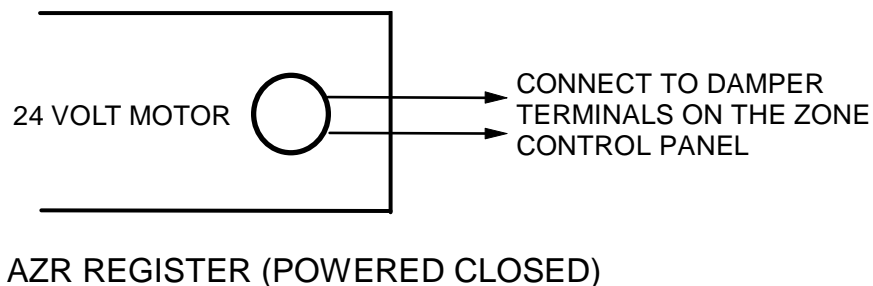
Installation Instructions

The AZR Automatic Zone Register™ can be used as a stand-alone register. It is recommended that no more than 30% of the existing registers be replaced with AZR™ registers. AZR™ registers must **not** be installed in the same room as the HVAC unit thermostat.

CAUTION: 12 x 6 REGISTER SHOULD NEVER BE USED AS A FLOOR REGISTER



When the AZR Automatic Zone Register™ is used with a zone control system, the wires of the register motor should be connected to the proper damper terminals on the zone control panel. The AZR™ connects the same as any standard powered closed / spring return open zone damper.



Specifications

- Operating Voltage: 24 Vac
- Amperage: 0.26 Amps
- VA Rating: 6.5 VA
- Powered Open or Powered Closed

Important Note

Use plenum-rated wire when running wire inside ductwork.

Patent Pending