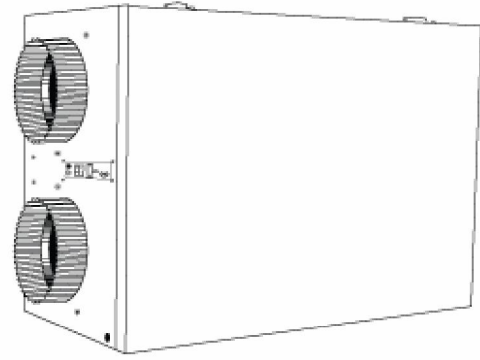


6" DIA. 22 GAUGE  
STARTER COLLARS

POWDER COATED  
20 GAUGE STEEL  
RAL COLOR: 9003

2.25"

27.125"



6.50"

MOMENTARY  
PUSH BUTTON  
SWITCH (SPST)

1.06"

12" x 12" x 11.25"  
POLYPROPYLENE  
HEAT EXCHANGER CORE  
UL FLAME RATING: 94 HB  
(92 - 3mm SHEETS)

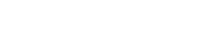
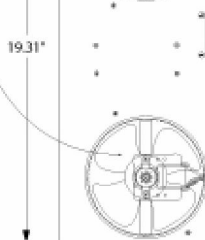
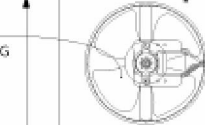
12" x 12" x 1"  
WASHABLE AIR FILTER

8.25"

1" ALUMINUM FACED  
DUCT BOARD INSULATION

1/2" x 3/8" CLOSED CELL FOAM

POLYCARBONATE  
FAN BLADES  
MIN. V2 FLAME RATING



N.T.S.

**HEAT RECOVERY VENTILATOR**  
**AIRIVA™**

**MODEL HE100**

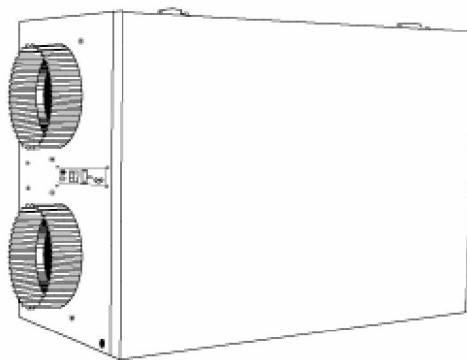
UNIT WEIGHT: 70.00 LBS. • 2' GROUNDED CORD • CFM 120 • AMPS 1.70 • RUNNING WATTS 100  
ETL® LISTED • 120 VAC 60 Hz CLASS B THERMALLY PROTECTED MOTOR • MECHANICALLY REVERSIBLE FANS

HE100SS-1106

6" DIA. 22 GAUGE  
STARTER COLLARS

POWDER COATED  
20 GAUGE STEEL  
RAL COLOR: 9003

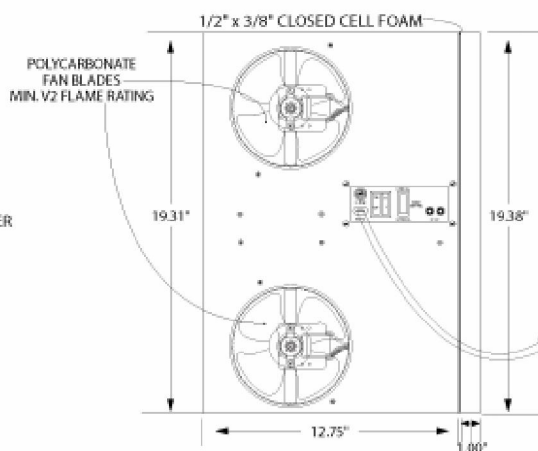
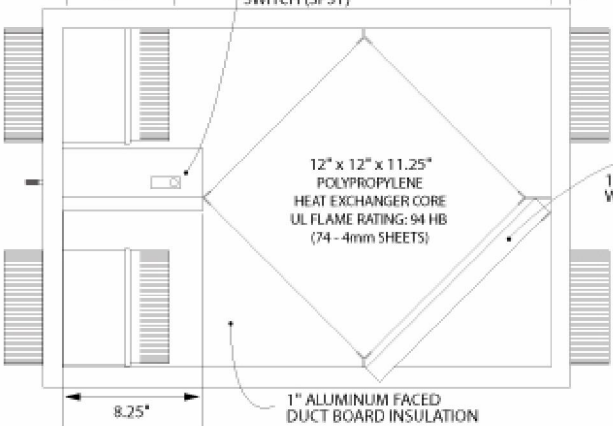
2.25"



6.50"

MOMENTARY  
PUSH BUTTON  
SWITCH (SPST)

1.06"



N.T.S.

**HEAT RECOVERY VENTILATOR**  
**AIRIVA™**

**MODEL HE150**

UNIT WEIGHT: 67.00 LBS. • 2' GROUNDED CORD • CFM 150 • AMPS 1.70 • RUNNING WATTS 100  
ETL® LISTED • 120 VAC 60 Hz CLASS B THERMALLY PROTECTED MOTOR • MECHANICALLY REVERSIBLE FANS

HE150S-1106