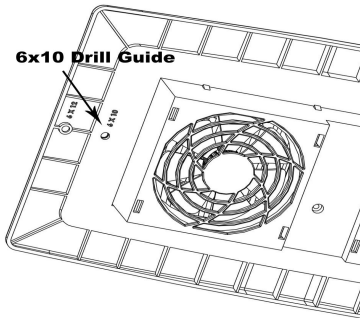


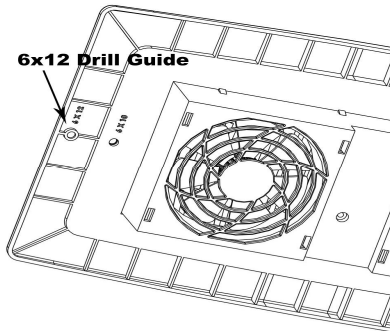
## AirFlow Breeze 6x10 and 6x12 Wall Mount Instructions

1. To wall mount your 6x10 or 6x12 you will need:
  - a. Drill
  - b. 3/16th+drill bit (recommended)
  - c. Screw Driver
  - d. Screws from existing vent
2. Turn Breeze over (bottom up)
3. Locate (2) two drill guides, (1) one on each end

**6x10 Bottom View**



**6x12 Bottom View**



4. Drill hole out from bottom using 3/16<sup>th</sup>+drill bit
5. Mount Breeze to wall with existing screws