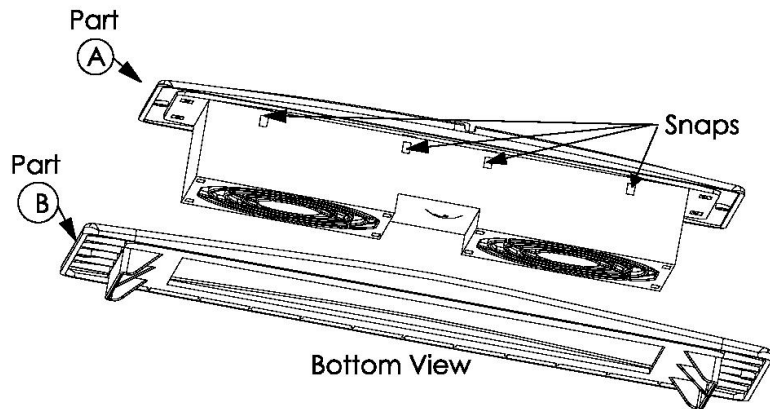
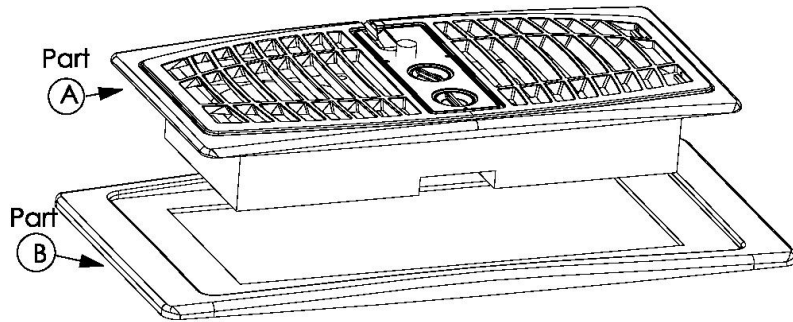


AirFlow Breeze 4x12 Assembly Instructions

(Does not apply for 4x10 Model)

1. To assemble your AirFlow Breeze 4x12 you will need:
 - a. Part A
 - b. Part B



2. Insert Part A into the recessed opening of Part B until all 8 snaps are engaged.
3. You have completed the assembly of the AirFlow Breeze 4x12