

In the past, dryer venting was inefficient due to friction causing bends in the flexible hose behind the dryer. These restrictive airflow bends kept the appliance far away from the wall and are the primary source of lint buildup in the flex duct, which creates a fire hazard.

Similar in concept to the commonly used recessed washing machine connection box, our **Recessed Dryer Vent Box** will provide many benefits to the contractor and homeowner:

- **No more restrictive bends in the flex duct**
- **Saves space, Saves energy**
- **Reduces fire hazard**
- **Less drying time = improved dryer efficiency**
- **Dryer can be installed against the wall**
- **22 Ga. Aluminized Steel Box (Safe, rigid, rust free and paintable)**

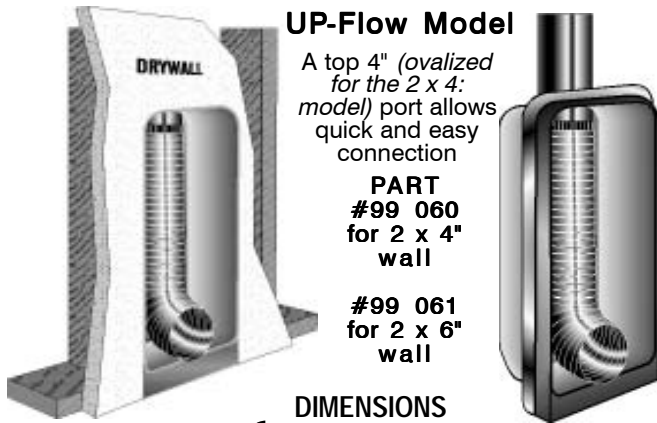
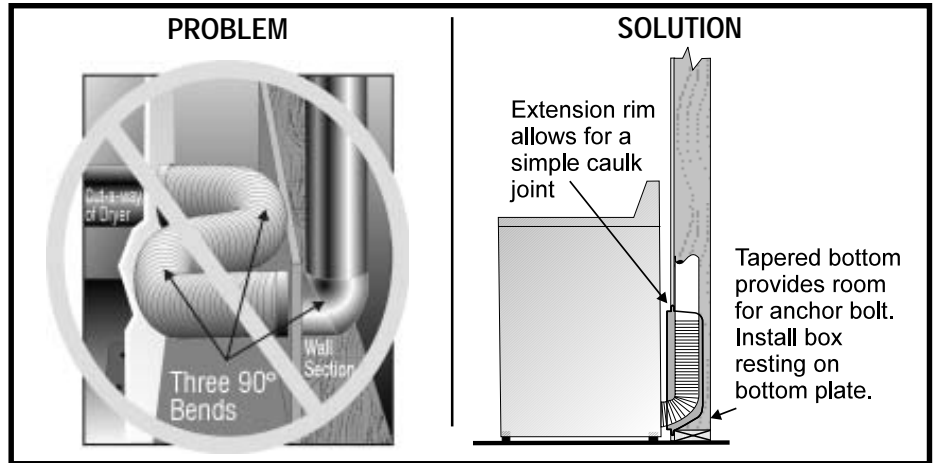
**Two models are available:**

- **Up-Flow**
- **Down-Flow**

The rectangular galvanized metal box installs easily between 16" center studs and is manufactured with a drywall stop

for proper finishing.

Both the Up-Flow and Down-Flow models are designed to be connected to 4" snaplock pipe. The ports on the models for 2 x 4" walls is ovalized and is round for those made for 2 x 6" walls.



### UP-Flow Model

A top 4" (ovalized for the 2 x 4 model) port allows quick and easy connection

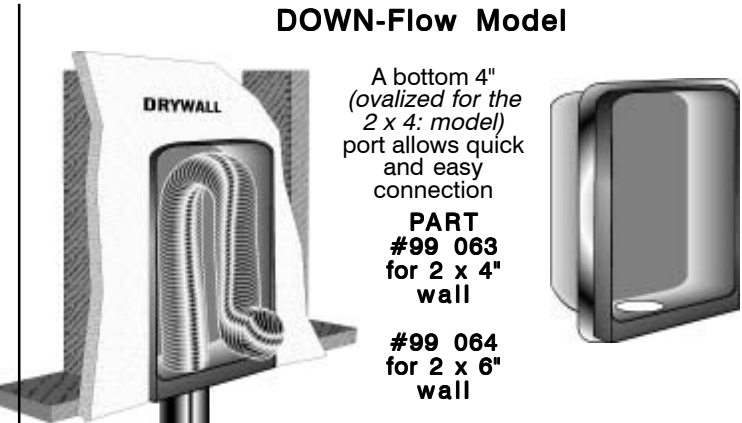
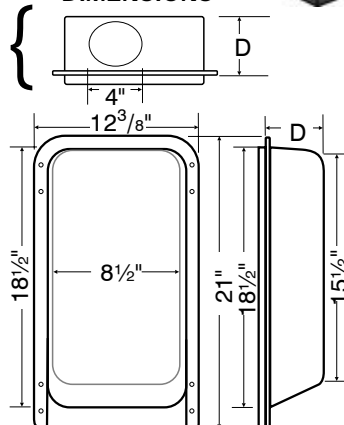
**PART #99 060**  
for 2 x 4" wall

**#99 061**  
for 2 x 6" wall

### DIMENSIONS

PN 99 060  
D=3 1/2"  
with 4" ovalized port

PN 99 061  
D= 5 1/2"  
with 4" round port



### DOWN-Flow Model

A bottom 4" (ovalized for the 2 x 4 model) port allows quick and easy connection

**PART #99 063**  
for 2 x 4" wall

**#99 064**  
for 2 x 6" wall

PN 99 063  
D=3-1/2"  
with 4" ovalized port

PN 99 064  
D= 4-3/8"  
with 4" round port

