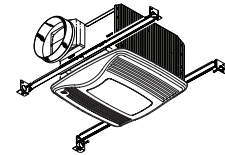


HUMIDITY SENSING FAN / FLUORESCENT LIGHT / NIGHT LIGHT

To register this product visit:
www.broan.com



Page 1

READ AND SAVE THESE INSTRUCTIONS

WARNING



TO REDUCE THE RISK OF FIRE, ELECTRIC SHOCK, OR INJURY TO PERSONS, OBSERVE THE FOLLOWING:

1. Use this unit only in the manner intended by the manufacturer. If you have questions, contact the manufacturer at the address or telephone number listed in the warranty.
2. Before servicing or cleaning unit, switch power off at service panel and lock the service disconnecting means to prevent power from being switched on accidentally. When the service disconnecting means cannot be locked, securely fasten a prominent warning device, such as a tag, to the service panel.
3. Installation work and electrical wiring must be done by a qualified person(s) in accordance with all applicable codes and standards, including fire-rated construction codes and standards.
4. Sufficient air is needed for proper combustion and exhausting of gases through the flue (chimney) of fuel burning equipment to prevent backdrafting. Follow the heating equipment manufacturer's guideline and safety standards such as those published by the National Fire Protection Association (NFPA), and the American Society for Heating, Refrigeration and Air Conditioning Engineers (ASHRAE), and the local code authorities.
5. When cutting or drilling into wall or ceiling, do not damage electrical wiring and other hidden utilities.
6. Ducted fans must always be vented to the outdoors.
7. Acceptable for use over a tub or shower when connected to a GFCI (Ground Fault Circuit Interrupter) - protected branch circuit.
8. This unit must be grounded.

CAUTION



1. For general ventilating use only. Do not use to exhaust hazardous or explosive materials and vapors.
2. This product is designed for installation in flat ceilings only. DO NOT MOUNT THIS PRODUCT IN A WALL.
3. To avoid motor bearing damage and noisy and/or unbalanced impellers, keep drywall spray, construction dust, etc. off power unit.
4. Please read specification label on product for further information and requirements.

Installer: Leave this manual with the homeowner.

OPERATION

The humidity control and fan can be operated separately. Use a 1- or 2-function wall control. Do not use a dimmer switch to operate the humidity control or light. See "Connect Wiring" for details.

SENSOR OPERATION

This humidity-sensing fan responds to: (a) rapid to moderate humidity increases and (b) humidity above a 50%-100% relative humidity set-point. (a) and (b) are set with "SENSITIVITY" adjustment. Fan may occasionally turn on when environmental conditions change. If the fan continuously responds to changing environmental conditions, "SENSITIVITY" adjustment may be required (see section below).

STATUS INDICATOR

This indicator can only be seen by looking directly at it. Normal mode is 5-seconds on and off. If it blinks rapidly for 5-seconds and then off, check sensor connections on grille and fan housing.

MANUAL ON WITH TIMED OFF

For odor or vapor control, the fan can be energized by cycling its wall-mounted switch if one is installed. Once the fan has been turned on in this manner, it will remain on for the set "TIMER" period.

To manually energize the fan:

1. Go to Step 2 if switch is already on; otherwise, turn switch on for more than 1 second.
2. Switch off for less than 1 second.
3. Switch back on and fan will turn on.

SENSITIVITY ADJUSTMENT

"SENSITIVITY" has been factory set for most shower applications. If the fan is in a tub area or is used for dampness control, the "SENSITIVITY" may need to be increased toward maximum ("MAX."). If the control is responding too often to changing environmental conditions, adjustment toward less ("MIN.") "SENSITIVITY" may be required. To adjust the "SENSITIVITY":

1. Turn power off at electrical service panel.
2. Through the grille, locate the "SENSITIVITY" screwdriver slot.
3. Using a small, flat-blade screwdriver, carefully rotate "SENSITIVITY" adjustment toward "MAX." or "MIN."
4. Turn power on and check operation by turning on shower or other humidity source until fan turns on.
5. Repeat above steps if necessary.

TIMER ADJUSTMENT

This humidity-sensing fan has a "TIMER". It is user-adjustable from 5 to 60 minutes and is factory-set at 20 minutes. The "TIMER" controls how long the fan remains on (a) after rise in humidity and (b) humidity level are both below the user-adjustable "SENSITIVITY" setting or after being energized by cycling power switch.

To adjust the "TIMER":

1. Disconnect power at electrical service panel.
2. Through the grille, locate the "TIMER" screwdriver slot.
3. Using a small, flat-blade screwdriver, carefully rotate "TIMER" adjustment to desired setting (5 to 60 minutes).
4. Check operation by cycling power switch as instructed under "MANUAL ON WITH TIMED OFF" or by turning on a humidity source until fan turns on.
5. Check "TIMER" setting with watch or clock after turning humidity source off if it was turned on it Step 4.
6. Repeat above steps if necessary.

CLEANING & MAINTENANCE

For quiet and efficient operation, long life, and attractive appearance - lower or remove grille and vacuum interior of unit with the dusting brush attachment.

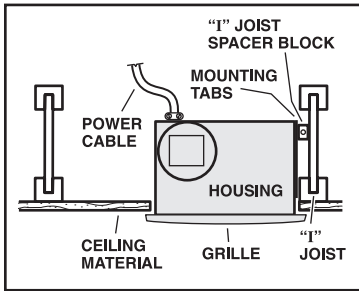
The motor is permanently lubricated and never needs oiling. If the motor bearings are making excessive or unusual noises, replace the motor with the exact service motor. The impeller should also be replaced.

SENSOR CLEANING

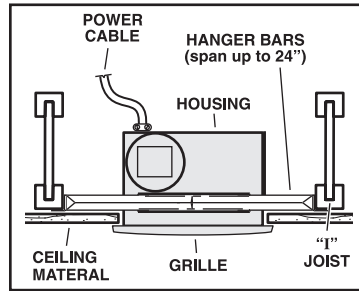
The humidity sensor is mounted in the grille. The sensor will operate most reliably when cleaned occasionally as follows:

1. Disconnect power at service entrance.
2. Remove the grille. Use a dry dustcloth, clean toothbrush, or lightly vacuum to clean sensor and grille. DO NOT USE ABRASIVE CLOTH, STEEL WOOL PADS, OR SCOURING POWDERS.
3. DO NOT USE cleaning sprays, solvents, or water on or near the sensor!

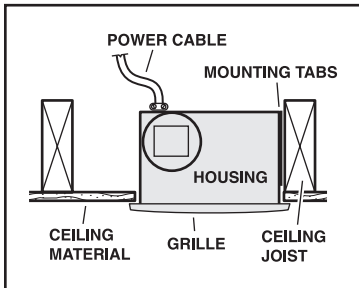
TYPICAL INSTALLATIONS



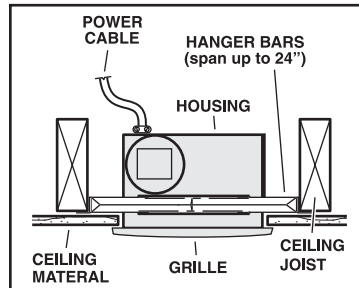
Housing mounted to I-joists.



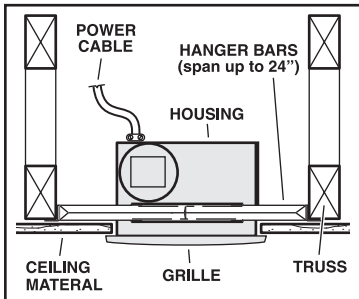
Housing mounted anywhere between I-joists using hanger bars.



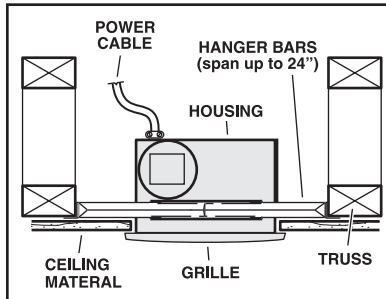
Housing mounted to joists.



Housing mounted anywhere between joists using hanger bars.



Housing mounted anywhere between trusses using hanger bars.

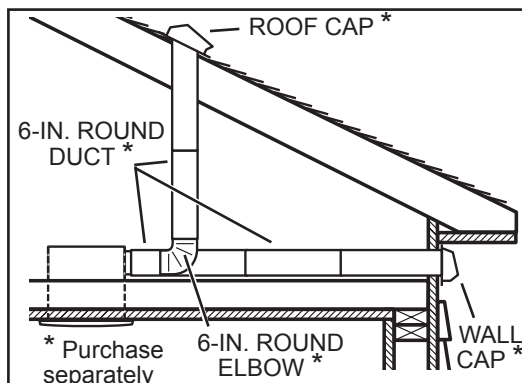


Housing mounted anywhere between trusses using hanger bars.

PLAN THE INSTALLATION

1. Choose the installation location.

The location of your humidity sensing fan is very important. Use the following guidelines for best operation:



- Locate unit above (GFCI protected circuit required) or within 5 feet of shower head.
- Locate unit away from heating or cooling sources which can affect humidity levels.
- Do not locate near window. Unit may respond to the outdoor humidity level.
- Unit must be installed in ceiling to properly sense moisture.
- Locate unit only on flat ceilings up to 12 feet high for proper sensing.
- The fan will operate most efficiently when located where the shortest possible duct run and minimum number of elbows will be needed.

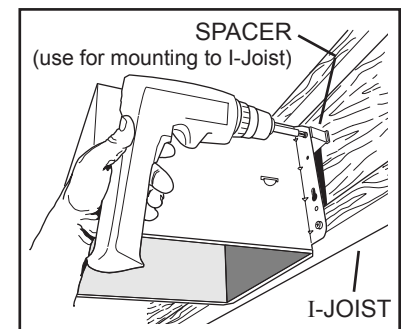
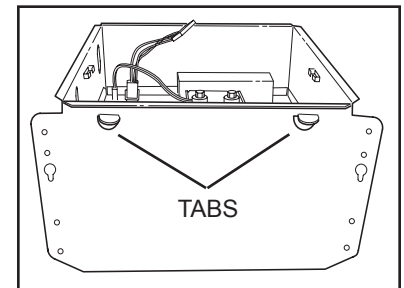
2. Plan the wiring.

- Plan to supply the unit with proper line voltage and appropriate power cable. Power cable should be routed to the switch box first and then to the unit (See "CONNECT WIRING" on page 3).
- Do not operate this unit with a speed control. Damage to the sensor unit will result.
- Light or night-light may be installed with a wall-mounted motion control.

INSTALL HOUSING & DUCT

1a. Mount housing to joist or I-joist.

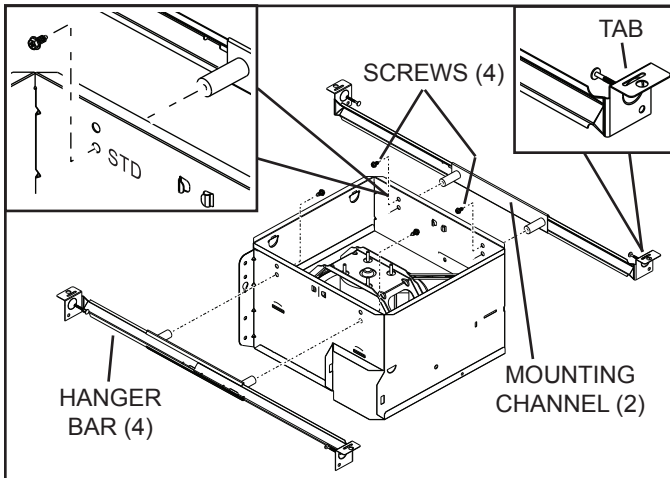
Use a pliers to bend housing **TABS** out to 90°. Hold housing in place so that the housing tabs contact the bottom of the joist. The housing mounts with four (4) screws or nails. Screw or nail housing to joist through lowest holes in each mounting flange, then through highest holes. NOTE: Mounting to **I-JOIST** (shown) requires use of **SPACERS** (included) between the highest hole of each mounting flange and the I-joist.



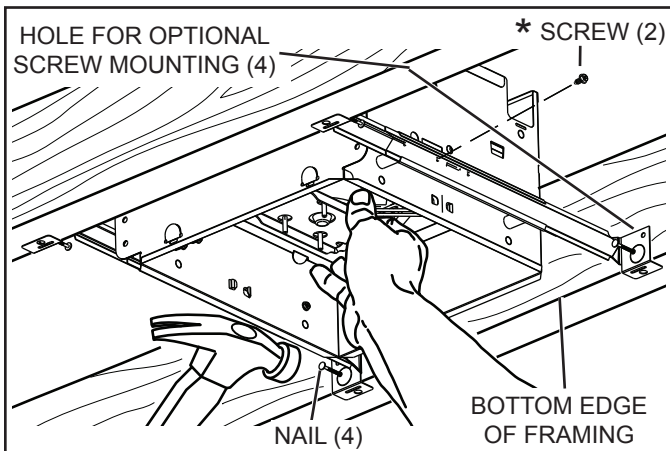
OR

1b. Mount housing anywhere between trusses, joists, or I-joists using hanger bars.

Sliding hanger bars are provided to allow for accurate positioning of housing anywhere between framing. They can be used on all types of framing (I-joist, standard joist, and truss construction) and span up to 24".



Attach the MOUNTING CHANNELS to the housing using the SCREWS supplied. Make sure TABS face "up" as shown. Use the set of channel mounting holes (marked "STD") to mount the housing flush with the bottom of the drywall. Use the other set of holes (not marked) to mount the housing flush with the top of the drywall.

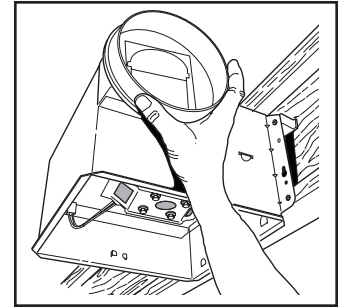


Extend HANGER BARS to the width of the framing. Hold ventilator in place with the hanger bar tabs wrapping around the BOTTOM EDGE OF THE FRAMING. NAIL ventilator to framing or fasten with screws (not provided) through HOLES near nails.

* To ensure a noise-free mount: Secure hanger bars together with SCREWS or use a pliers to crimp mounting channels tightly around hanger bars.

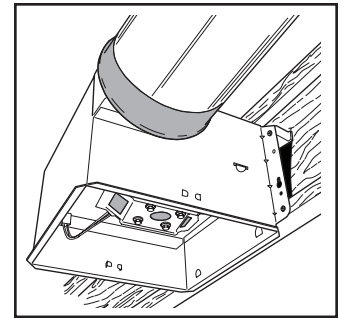
2. Attach damper/ duct connector.

Snap damper / duct connector onto housing. Make sure connector is flush with top of housing and damper flap falls closed.



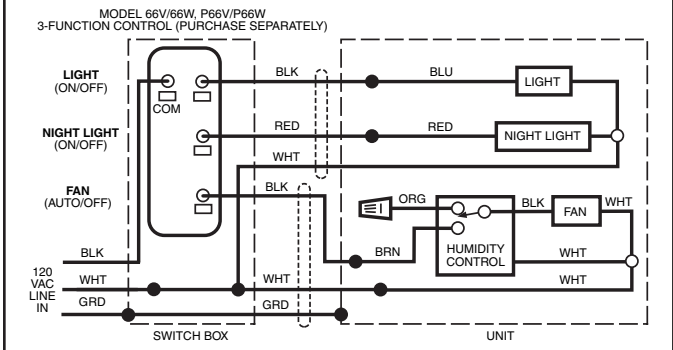
3. Install 6-inch round ductwork.

Connect 6-inch round ductwork to damper / duct connector. Run ductwork to a roof cap or wall cap. Tape all ductwork connections to make them secure and air tight.

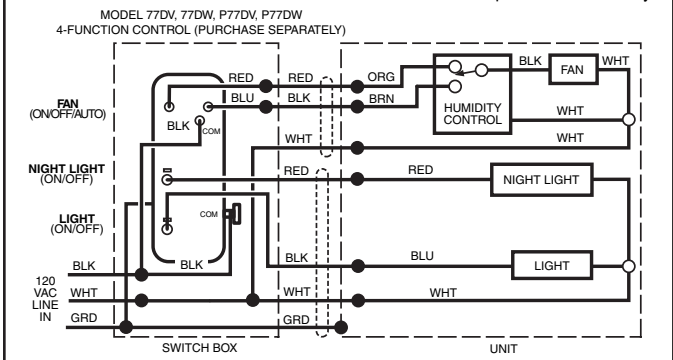


CONNECT WIRING

WIRING OPTION #1 - Allows fan to operate in automatic mode or manual mode (for odor control) by cycling ON/OFF switch.



WIRING OPTION #2 - Fan can be turned ON, OFF, or set to operate automatically.



4. Connect electrical wiring.

Run 120 VAC house wiring to installation location. Use proper UL approved connector to secure house wiring to wiring plate. Connect wires as shown in wiring diagrams.

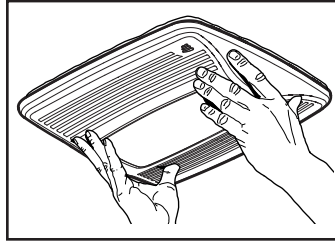
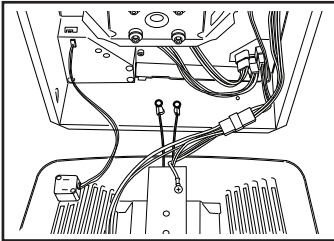
INSTALL GRILLE

6. Finish ceiling.

Install ceiling material. Cut out around housing.

7. Plug in wiring.

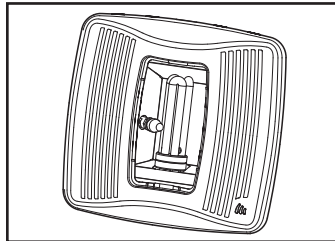
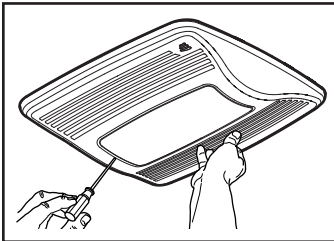
Plug wiring into the proper receptacles.



8. Attach grille to housing.

Squeeze grille springs and insert them into slots on each side of housing.

9. Push grille against ceiling.



10. Remove light lens.

Carefully insert a small flat-blade screwdriver between grille and lens. Pry lens out.

11. Install light bulbs.

Insert fluorescent bulb (supplied) into its socket. Purchase a 4W incandescent night-light bulb and screw it into its socket. Replace lens.

WARRANTY

BROAN THREE YEAR LIMITED WARRANTY

Broan warrants to the original consumer purchaser of its products that such products will be free from defects in materials or workmanship for a period of three years from the date of original purchase. THERE ARE NO OTHER WARRANTIES, EXPRESS OR IMPLIED, INCLUDING, BUT NOT LIMITED TO, IMPLIED WARRANTIES OF MERCHANTABILITY OR FITNESS FOR A PARTICULAR PURPOSE.

During this three-year period, Broan will, at its option, repair or replace, without charge, any product or part which is found to be defective under normal use and service.

THIS WARRANTY DOES NOT EXTEND TO FLUORESCENT LAMP STARTERS AND TUBES. This warranty does not cover (a) normal maintenance and service or (b) any products or parts which have been subject to misuse, negligence, accident, improper maintenance or repair (other than by Broan), faulty installation or installation contrary to recommended installation instructions.

The duration of an implied warranty is limited to the three-year period as specified for the express warranty. Some states do not allow limitation on how long an implied warranty lasts, so the above limitation may not apply to you.

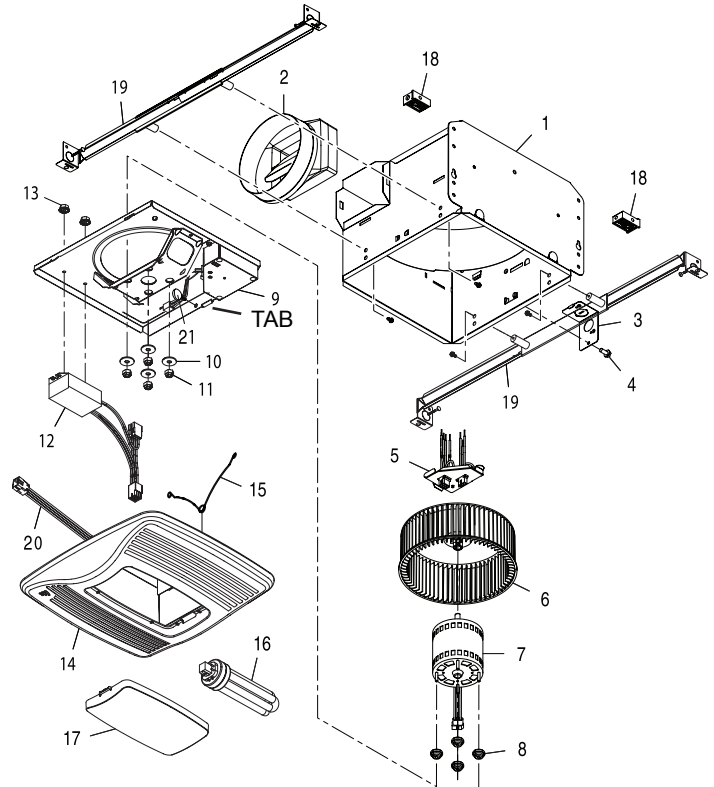
BROAN'S OBLIGATION TO REPAIR OR REPLACE, AT BROAN'S OPTION, SHALL BE THE PURCHASER'S SOLE AND EXCLUSIVE REMEDY UNDER THIS WARRANTY. BROAN SHALL NOT BE LIABLE FOR INCIDENTAL, CONSEQUENTIAL OR SPECIAL DAMAGES ARISING OUT OF OR IN CONNECTION WITH PRODUCT USE OR PERFORMANCE. Some states do not allow the exclusion or limitation of incidental or consequential damages, so the above limitation may not apply to you.

This warranty gives you specific legal rights, and you may also have other rights, which vary from state to state. This warranty supersedes all prior warranties.

To qualify for warranty service, you must (a) notify Broan at the address or telephone number stated below, (b) give the model number and part identification and (c) describe the nature of any defect in the product or part. At the time of requesting warranty service, you must present evidence of the original purchase date.

Broan-NuTone LLC Hartford, Wisconsin www.broan.com 800-558-1711

SERVICE PARTS



SERVICE NOTE

To remove Blower Assembly: Unplug motor (7). Remove thumbscrew (21) from motor plate (9) flange. Find the single **TAB** on the motor plate (located next to the receptacle). Push up near motor plate tab while pushing out on side of housing. Or insert a straight-blade screwdriver into slot in housing (next to tab) and twist screwdriver.

Replacement parts can be ordered on our website. Please visit us at www.broan.com

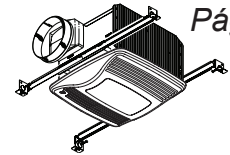
Key No.	Part No.	Description
1	97016466	Housing
2	97016450	Duct Connector-6"
3	98010102	Wiring Plate
4	99170245	Screw, #8-18 X .375
5	97017086	Wire Panel/Harness Assembly *
6	99020284	Blower Wheel
7	99080580	Motor
8	99100491	Isolator (4 req'd)
9	97017084	Motor Plate & Control Assembly *
10	99250959	Washer #8 (4 req'd)
11	99260558	Nut, Hex Lock #8-32 (4 req'd)
*	97017088	Blower Assembly * (includes key nos. 6 thru 11)
12	97016864	Ballast Assembly *
13	99260423	Nut, Hex #8-32 (2 req'd)
14	97016966	Grille Assembly * (includes key nos. 15, 17 & 20)
15	99140199	Grille Spring (2 req'd)
16	99271358	Bulb, 42W Fluorescent
17	99111345	Lens
18	99111293	Spacer (2 supplied)
19	SQTHB1	Hanger Bar Kit
20	99271344	Sensor Wire Harness
21	99420665	Thumbscrew, #8-18 x .375

* Parts not listed are included with Assembly.

Order service parts by "Part No." - not by "Key No." 99044057D

VENTILADOR CON SENSOR DE HUMEDAD / LÁMPARA FLUORESCENTE / LÁMPARA DE NOCHE

Para registrar este producto, visite:
www.broan.com



Página 5

LEA Y CONSERVE ESTAS INSTRUCCIONES

ADVERTENCIA



PARA REDUCIR EL RIESGO DE INCENDIOS, DESCARGAS ELÉCTRICAS O LESIONES PERSONALES, OBSERVE LAS SIGUIENTES PRECAUCIONES:

1. Use la unidad sólo de la manera indicada por el fabricante. Si tiene preguntas, comuníquese con el fabricante en la dirección o el número telefónico que se incluye en la garantía.
2. Antes de dar servicio a la unidad o de limpiarla, interrumpa el suministro eléctrico en el panel de servicio y bloquee los medios de desconexión del servicio para evitar que la electricidad se reanude accidentalmente. Cuando no sea posible bloquear los medios de desconexión del servicio, fije firmemente una señal de advertencia (tal como una etiqueta) en un lugar visible del panel de servicio.
3. Una o más personas calificadas deben realizar el trabajo de instalación y el cableado eléctrico, de acuerdo con todos los códigos y normas correspondientes, incluidos los códigos y normas de construcción específicos de protección contra incendios.
4. Se necesita suficiente aire para que se lleve a cabo una combustión adecuada y la descarga de los gases a través del tubo de humos (chimenea) del equipo quemador de combustible, a fin de evitar las contracorrientes. Siga las directrices y las normas de seguridad del fabricante del equipo de calentamiento, como las publicadas por la Asociación Nacional de Protección contra Incendios (National Fire Protection Association, NFPA), la Sociedad Americana de Ingenieros de Calefacción, Refrigeración y Aire Acondicionado (American Society for Heating, Refrigeration and Air Conditioning Engineers, ASHRAE) y las autoridades de los códigos locales.
5. Al cortar o perforar a través de la pared o del cielo raso, tenga cuidado de no dañar el cableado eléctrico ni otros servicios ocultos.
6. Los ventiladores con conductos deben siempre conectarse hacia el exterior.
7. Esta unidad puede instalarse sobre una tina o ducha siempre que se conecte a un GFCI (interruptor accionado por pérdida de conexión a tierra) en un circuito de derivación protegido.
8. Esta unidad debe conectarse a tierra.

PRECAUCIÓN



1. Sólo para usarse como medio de ventilación general. No se use para descargar materiales ni vapores peligrosos o explosivos.
2. Este producto está diseñado para instalarse solamente en un cielo raso plano. NO MONTE ESTE PRODUCTO EN LA PARED.
3. Para evitar daños a los cojinetes del motor y rotores ruidosos y/o no equilibrados, mantenga la unidad de accionamiento al resguardo de rociados de yeso, polvos de construcción, etc.
4. Léase la etiqueta de especificaciones que tiene el producto para ver información y requisitos adicionales.

Aviso al instalador: Deje este manual con el dueño de la casa.

OPERATION

El control de humedad y el ventilador pueden funcionar separadamente. Utilice un control de pared de 1 ó 2 funciones. No utilice un reductor de intensidad para hacer funcionar el control de humedad o la lámpara (vea los detalles en la sección "Conexión eléctrica").

OPERACIÓN DEL SENSOR

Este indicador detector de humedad responde a: (a) aumentos rápidos a moderados de humedad y (b) humedad superior a un punto de referencia de humedad relativa de 50% a 100%. Las opciones (a) y (b) se configuran con el ajuste "SENSIBILIDAD" (SENSITIVITY). Ocasionalmente se puede encender el ventilador cuando cambian las condiciones ambientales. Si el ventilador responde continuamente a las condiciones ambientales cambiantes, es posible que se requiera el ajuste de la "SENSIBILIDAD" (SENSITIVITY) (vea la sección a continuación).

INDICADOR DE ESTADO

Este indicador sólo se puede ver si se le observa de frente. El modo normal es de 5 segundos encendido y apagado. Si parpadea rápidamente durante 5 segundos y luego se apaga, revise las conexiones del sensor en la rejilla y en la caja del ventilador.

ENCENDIDO MANUAL Y APAGADO PROGRAMADO

Para el control del olor o del vapor, se puede encender el ventilador al "cliclar" (apagar y encender) el interruptor montado en la pared. Una vez que se ha encendido de esta manera, el ventilador permanecerá encendido durante el período establecido en el "TEMPORIZADOR" (TIMER). Para encender manualmente el ventilador:

1. Si el interruptor de alimentación ya está encendido, proceda con el paso 2; de otra manera, encienda el interruptor durante más de 1 segundo.
2. Apague el interruptor de alimentación durante menos de 1 segundo.
3. Vuelva a encender el interruptor de alimentación; el ventilador se encenderá.

AJUSTE DE LA SENSIBILIDAD

La "SENSIBILIDAD" es ajustada en fábrica para la mayoría de las aplicaciones de regadera. Si el ventilador se encuentra en el área de la tina o se está usando para el control de la humedad, es posible que se necesite aumentar la "SENSIBILIDAD" hasta el máximo ("MAX."). Si el control está respondiendo con demasiada frecuencia a condiciones ambientales cambiantes, quizás sea necesario ajustarlo a una "SENSIBILIDAD" menor ("MIN.").

Para ajustar la "SENSIBILIDAD":

1. Apague la unidad en el panel de servicio.
2. A través de la rejilla, localice la ranura de destornillador marcada como "SENSIBILIDAD" (SENSITIVITY).
3. Usando un destornillador pequeño de punta plana, gire cuidadosamente el ajuste de "SENSIBILIDAD" hacia la posición máxima ("MAX.") o mínima ("MIN.").
4. Encienda la unidad y revise el funcionamiento abriendo la regadera u otra fuente de humedad hasta que el ventilador se encienda.
5. Repita los pasos anteriores si es necesario.

AJUSTE DEL TEMPORIZADOR

El ventilador con sensor de humedad tiene un "TEMPORIZADOR" que el usuario puede ajustar de 5 a 60 minutos; está configurado de fábrica a 20 minutos. Este "TEMPORIZADOR" controla el tiempo en que el ventilador permanece encendido (a) después de un aumento en la humedad, y (b) el nivel de humedad está por debajo de la "SENSIBILIDAD" ajustable por el usuario, o después de haberlo energizado al ciclar el interruptor de alimentación.

Para ajustar el "TEMPORIZADOR":

1. Desconecte la energía en la entrada de servicio.
2. A través de la rejilla, localice la ranura de destornillador del "TEMPORIZADOR" (TIMER).
3. Usando un destornillador pequeño de hoja plana, gire cuidadosamente el ajuste "TEMPORIZADOR" hasta la posición deseada (de 5 a 60 minutos).
4. Revise la operación ciclando el interruptor de alimentación de acuerdo con las instrucciones de la sección "ENCENDIDO MANUAL Y APAGADO PROGRAMADO" o encendiendo una fuente de humedad hasta que el ventilador se encienda.
5. Verifique el ajuste del "TEMPORIZADOR" con un reloj después de apagar la fuente de humedad, si es que encendió alguna en el Paso 4.
6. Repita los pasos anteriores si es necesario.

LIMPIEZA Y MANTENIMIENTO

Para lograr un funcionamiento silencioso y eficiente como también larga vida y una apariencia atractiva del producto, baje o retire la rejilla y aspire el interior de la unidad con el accesorio del cepillo para sacudir polvo.

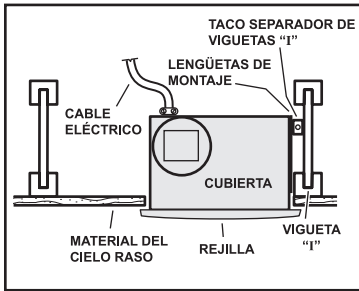
El motor está permanentemente lubricado y nunca necesitará aceite. Si los cojinetes del motor están haciendo ruido excesivo o inusitado, reemplace el motor con el motor de servicio exacto. También debe reemplazar el impulsor.

LIMPIEZA DEL SENSOR

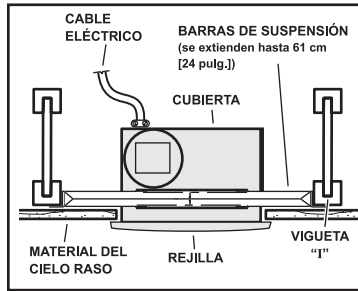
El sensor de humedad está montado en la rejilla. El funcionamiento del sensor será más fiable si se limpia ocasionalmente. Para ello, haga lo siguiente:

1. Desconecte la energía en la entrada de servicio.
2. Quite la rejilla. Limpie el sensor y la rejilla con un paño sacudidor seco o un cepillo de dientes limpio, o aspirelos ligeramente. NO USE PAÑOS ABRASIVOS, ALMOHADILLAS DE LANA DE ACERO NI POLVOS ABRASIVOS.
3. ¡NO USE sprays limpiadores, solventes ni agua en o cerca del sensor!

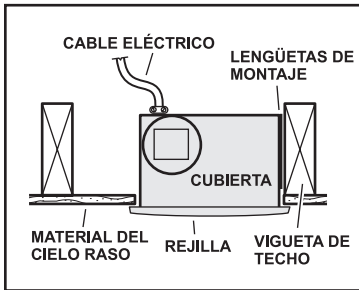
INSTALACIONES TÍPICAS



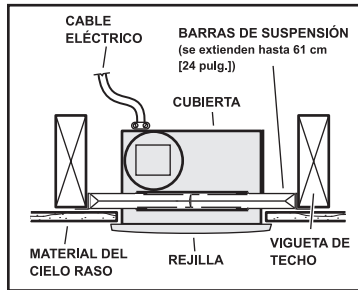
Montaje de la cubierta en viguetas "I".



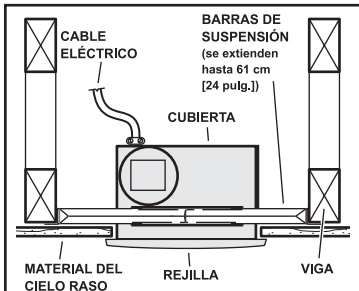
Montaje de la cubierta en cualquier parte entre las viguetas "I" por medio de barras de suspensión.



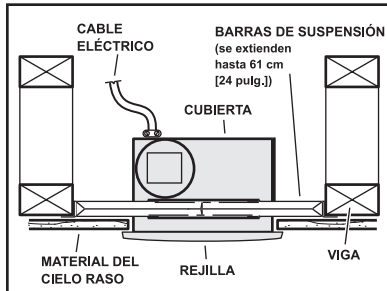
Montaje de cubierta en viguetas.



Montaje de la cubierta en cualquier parte entre las viguetas por medio de barras de suspensión.



Montaje de la cubierta en cualquier parte entre armaduras por medio de barras de suspensión.

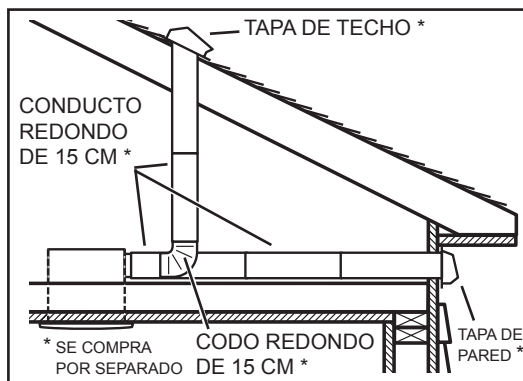


Montaje de la cubierta en cualquier parte entre armaduras por medio de barras de suspensión.

PLANIFICACIÓN DE LA INSTALACIÓN

1. Elija el lugar de instalación.

La ubicación de su ventilador con sensor de humedad es muy importante. Siga estos lineamientos para obtener el mejor funcionamiento:



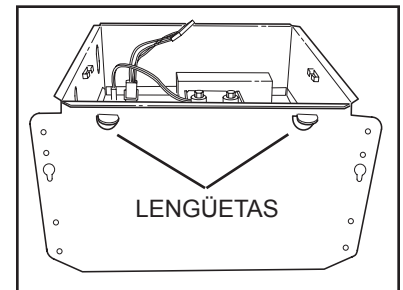
- Coloque la unidad sobre o dentro de una distancia de 1.5 m (5 pies) de la cabeza de la regadera (se requiere un circuito protegido con un GFCI).
- Ubique la unidad lejos de fuentes de calefacción o enfriamiento que puedan afectar los niveles de humedad.
- No la ponga cerca de una ventana. La unidad puede responder a los niveles de humedad del exterior.
- La unidad se debe instalar en el cielo raso para detectar adecuadamente la humedad.
- Ubique la unidad sólo en cielos rasos planos con altura de hasta 3.6 m (12 pies) para obtener una detección adecuada de humedad.
- El ventilador funcionará más eficientemente cuando se ubique en un área en la que se necesite el tramo más corto de conductos posible y un número mínimo de codos.

2. Planifique la conexión eléctrica.

- Alimente la unidad con la tensión de línea y el cable eléctrico apropiados. El cable eléctrico debe tenderse primero hacia la caja de interruptores y seguidamente a la unidad (consulte la sección "CONEXIÓN ELÉCTRICA" de la página 3).
- No utilice esta unidad con un control de velocidad porque se podría dañar el sensor.
- La lámpara o la lámpara de noche podría instalarse con un control de movimiento montado en la pared.

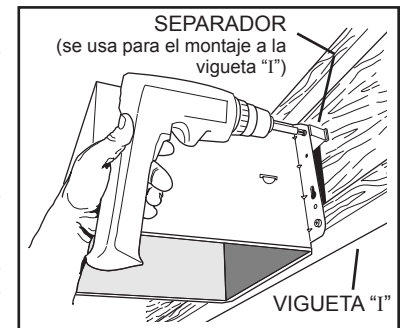
INSTALE LA CUBIERTA Y EL CONDUCTO

1a. Instale la cubierta en las viguetas o viguetas "I".



Con alicates, doble las **LENGÜETAS** de la cubierta a un ángulo de 90°. Sos- tenga la cubierta en su lugar de manera que las lengüetas de la cubierta hagan contacto con la parte inferior de la vigueta. Para el montaje de la cubierta se utilizan cuatro (4) tornillos o clavos. Atornille o clave la cubierta a la vigueta a través de los orificios más bajos de cada brida de montaje, y seguidamente a través de los más altos.

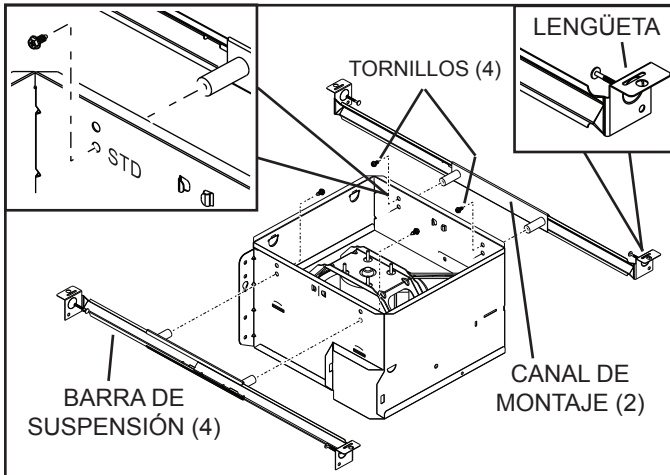
NOTA: El montaje en la **VIGUETA "I"** (mostrada) requiere utilizar **SEPARADORES** (incluidos) entre el orificio más alto de cada brida de montaje y la vigueta "I".



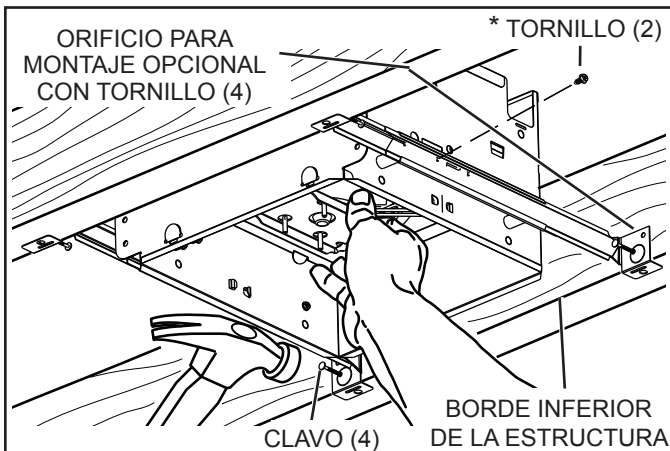
O BIEN

1b. Instale la cubierta en cualquier parte entre las armaduras, viguetas o viguetas "I" por medio de barras de suspensión.

Se proporcionan barras de suspensión deslizantes para facilitar la colocación adecuada de la cubierta en cualquier parte entre la estructura. Estas barras se adaptan a toda clase de estructuras (construcciones de viguetas "I", viguetas estándar y armaduras) y se extienden a un máximo de 61 cm (24 pulg.).



Fije los CANALES DE MONTAJE a la cubierta con los TORNILLOS incluidos. Asegúrese de que las LENGÜETAS estén de cara hacia arriba, tal como se muestra. Utilice el conjunto de orificios de montaje del canal (marcados como "STD") para montar la cubierta al ras con la parte inferior de la tablaroca. Utilice el otro conjunto de orificios (sin marca) para montar la cubierta al ras con la parte superior de la tablaroca.



Abra las BARRAS DE SUSPENSIÓN hasta el ancho de la estructura.

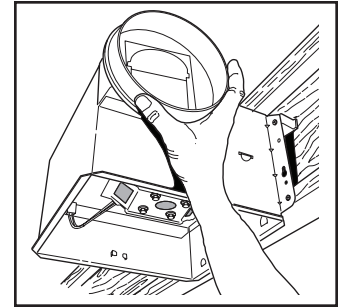
Sostenga el ventilador en su sitio envolviendo las lengüetas de la barra de suspensión alrededor del BORDE INFERIOR DE LA ESTRUCTURA.

CLAVE el ventilador a la estructura o sujételo con tornillos (no incluidos) a través de los ORIFICIOS que están cerca de los clavos.

* Para lograr un montaje silencioso: Acople y fije las barras de suspensión con TORNILLOS, o doble con un alicate los canales de montaje bien justos alrededor de las barras de suspensión.

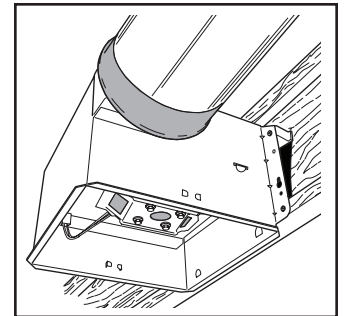
2. Acople el conector del regulador de tiro/conducto.

Conecte a presión el conector del regulador de tiro/conducto en la cubierta. Asegúrese de que el conector esté al ras con la parte superior de la cubierta y que la aleta del regulador caiga cerrada.



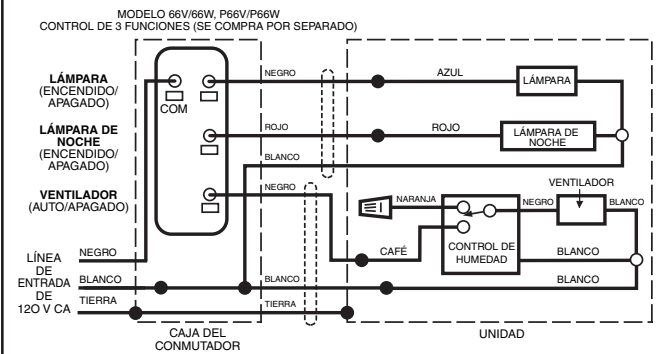
3. Instale el conducto redondo de 15 cm (6 pulg.)

Conecte el conducto redondo de 15 cm (6 pulg.) al conector del regulador/conducto. Extienda el conducto hacia una tapa de techo o tapa de pared. Enciente todas las conexiones de los conductos para fijarlas y hacerlas herméticas al aire.

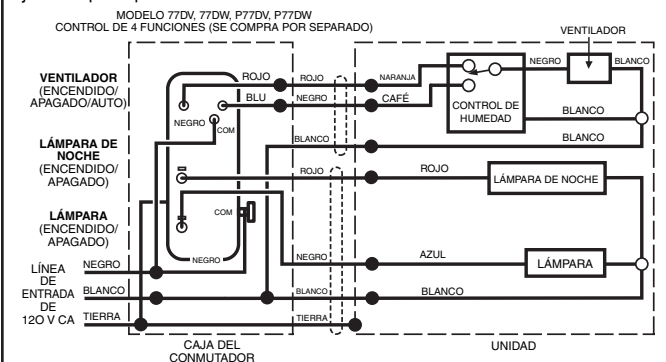


CONEXIÓN ELÉCTRICA

OPCIÓN DE CONEXIÓN n.º 1: Permite que el ventilador funcione en modo automático o en el modo manual (para el control del olor) al ciclar el conmutador de ENCENDIDO/APAGADO.



OPCIÓN DE CONEXIÓN n.º 2: El ventilador se puede encenderse, apagarse o ajustarse para que funcione automáticamente.

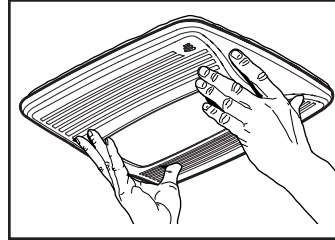
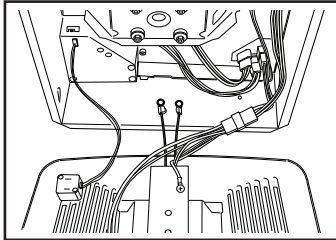


4. Conecte los cables eléctricos.

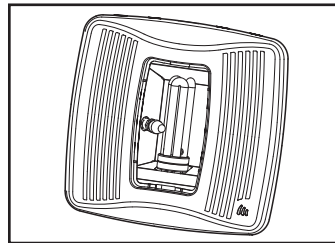
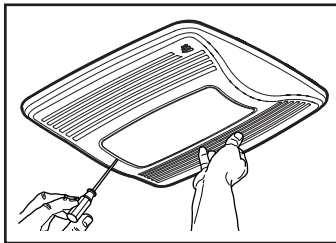
Extienda el cableado de la casa de 120 V CA al lugar de la instalación. Utilice una conexión aprobada por UL para afianzar el cableado de la casa a la placa de cableado. Conecte los cables tal como se ilustra en los diagramas de cableado.

INSTALE LA REJILLA

- Termine el cielo raso.**
Instale el material del cielo raso. Recorte alrededor de la cubierta.
- Conecte el cableado.**
Enchufe las conexiones en los receptáculos adecuados.



- Acople la rejilla a la cubierta.**
Apriete los resortes de la rejilla e insértelos en las ranuras que se encuentran a cada lado de la cubierta.
- Empuje la rejilla contra el cielo raso.**



- Quite la lente de la lámpara.**
Con cuidado, inserte un destornillador plano pequeño entre la rejilla y la lente. Haga palanca con el destornillador y saque la lente.
- Instale las bombillas.**
Inserte la bombilla fluorescente (suministrada) en su receptáculo. Compre una bombilla incandescente para lámpara de noche (de 4 watts) y atorníllela a su receptáculo. Vuelva a colocar la lente.

GARANTÍA

GARANTÍA LIMITADA DE TRES AÑOS DE BROAN

Broan garantiza al consumidor comprador original de sus productos que tales productos estarán libres de defectos en materiales o mano de obra durante un período de tres años a partir de la fecha de la compra original. NO EXISTEN OTRAS GARANTÍAS, EXPRESAS NI IMPLÍCITAS, INCLUIDAS (PERO SIN LIMITARSE A) GARANTÍAS IMPLÍCITAS DE COMERCIALIZACIÓN O IDONEIDAD PARA UN PROPÓSITO PARTICULAR.

Durante este período de tres años, Broan, a su criterio, reparará o reemplazará, sin cargo alguno, cualquier pieza o producto que se encuentre defectuoso bajo condiciones normales de uso y servicio.

ESTA GARANTÍA NO SE EXTIENDE A ARRANCADORES NI A TUBOS DE LAS LÁMPARAS FLUORESCENTES. Esta garantía no cubre (a) mantenimiento y servicio normales ni (b) ningún producto o piezas que se hayan sometido a uso inadecuado, negligencia, accidente, mantenimiento o reparación inadecuada (no hecha por Broan), instalación incorrecta o instalación que vaya en contravención de las instrucciones de instalación recomendadas.

La duración de una garantía implícita se limita al período de tres años como se especifica para la garantía explícita. Algunos estados no permiten la limitación de la duración de una garantía implícita, de manera que las limitaciones antedichas pueden no aplicar a usted.

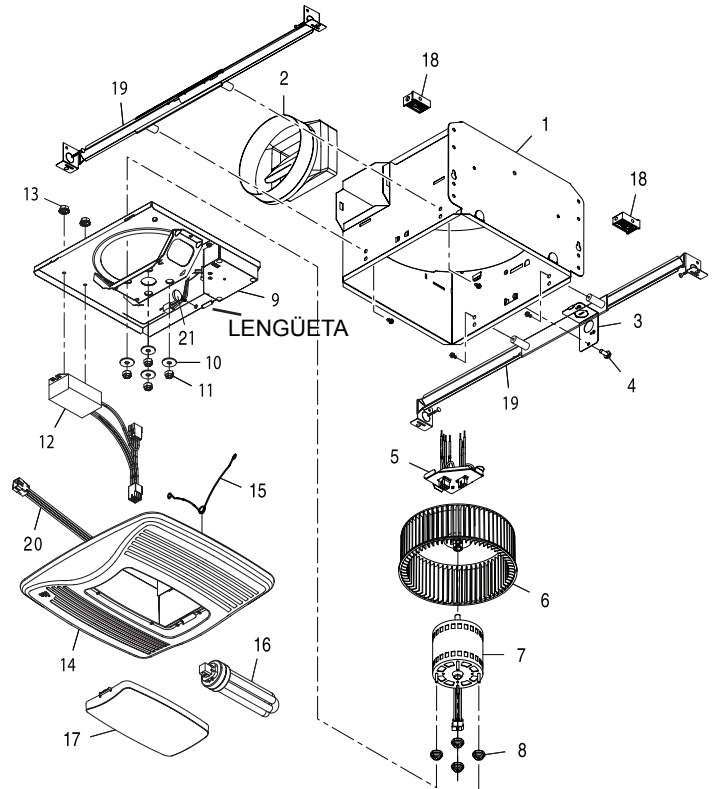
LA OBLIGACIÓN DE BROAN DE REPARAR O REEMPLAZAR, A OPCIÓN DE BROAN, SERÁ EL ÚNICO Y EXCLUSIVO RECURSO DEL COMPRADOR BAJO ESTA GARANTÍA. BROAN NO SERÁ RESPONSABLE POR DAÑOS INCIDENTALES, RESULTANTES O ESPECIALES QUE SURJAN DE, O EN RELACIÓN CON, EL USO O RENDIMIENTO DEL PRODUCTO. Algunos estados no permiten la exclusión o la limitación de daños incidentales o resultantes, de manera que es posible que la limitación antedicha no se aplique en su caso.

Esta garantía le da derechos legales específicos, y usted puede tener otros derechos que podrían variar entre los estados. Esta garantía sustituye a todas las garantías anteriores.

Para tener derecho al servicio de la garantía, usted debe (a) notificar a Broan a la dirección y número de teléfono que aparecen abajo, (b) proporcionar el número de modelo y la identificación de la pieza y (c) describir la naturaleza de cualquier defecto en el producto o pieza. En el momento de solicitar el servicio de la garantía, debe presentar comprobante de la fecha de la compra original.

Broan-NuTone LLC Hartford, Wisconsin www.broan.com 800-558-1711

PIEZAS DE REPUESTO



Se pueden hacer los pedidos de las piezas de repuesto en nuestro sitio web. Le rogamos visitarnos a www.broan.com

NOTA DE SERVICIO

Para desmontar el conjunto del ventilador: Desenchufe el motor (7). Saque el tornillo de mariposa (21) de la brida de la placa del motor (9). Localice la LENGÜETA única de la placa del motor (se encuentra junto al receptáculo). Empuje hacia arriba cerca de la lengüeta de la placa del motor al mismo tiempo que empuja hacia afuera el costado de la cubierta. O bien, introduzca un destornillador de punta recta en la ranura de la cubierta (junto a la lengüeta) y gire el destornillador.

Clave n.º	Pieza n.º	Descripción
1	97016466	Cubierta
2	97016450	Conector de conductor, 15 cm (6 pulg.)
3	98010102	Placa de cableado
4	99170245	Tornillo n.º 8-18 x 0.375
5	97017086	Conjunto del panel de cableado/arnés *
6	99020284	Rueda del ventilador
7	99080580	Motor
8	99100491	Aislador (se requieren 4)
9	97017083	Placa de motor y conjunto de control *
10	99250959	Arandela n.º 8 (se requieren 4)
11	99260558	Tuerca hexagonal de seguridad n.º 8-32 (se requieren 4)
*	97017088	Conjunto del ventilador * (incluye claves n.º 6 a 11)
12	97016864	Conjunto de reactancia *
13	99260423	Tuerca hexagonal n.º 8-32 (se requieren 2)
14	97016966	Conjunto de la rejilla * (incluye las piezas de clave n.º 15, 17 y 20)
15	99140199	Resorte de la rejilla (se requieren 2)
16	99271358	Bombilla fluorescente, 42 watts
17	99111345	Lente
18	99111293	Separador (se suministran 2)
19	SQTHB1	Juego de barra de suspensión
20	99271344	Arnés de cables del sensor
21	99420665	Tornillo de mariposa n.º 8-18 x 0.375

* Las piezas no enumeradas se incluyen con el conjunto.

Al hacer el pedido de una pieza de servicio se debe especificar el número de la pieza (no el número de la clave). 99044057D