

HEATER / FAN / LIGHT

To register this product, visit:
www.nutone.com

READ AND SAVE THESE INSTRUCTIONS

WARNING

TO REDUCE THE RISK OF FIRE, ELECTRIC SHOCK, OR INJURY TO PERSONS, OBSERVE THE FOLLOWING:

1. Use this unit only in the manner intended by the manufacturer. If you have questions, contact the manufacturer at the address or telephone number listed in the warranty.
2. Before servicing or cleaning unit, switch power off at service panel and lock the service disconnecting means to prevent power from being switched on accidentally. When the service disconnecting means cannot be locked, securely fasten a prominent warning device, such as a tag, to the service panel.
3. Installation work and electrical wiring must be done by a qualified person(s) in accordance with all applicable codes and standards, including fire-rated construction codes and standards.
4. Sufficient air is needed for proper combustion and exhausting of gases through the flue (chimney) of fuel burning equipment to prevent backdrafting. Follow the heating equipment manufacturer's guideline and safety standards such as those published by the National Fire Protection Association (NFPA), and the American Society for Heating, Refrigeration and Air Conditioning Engineers (ASHRAE), and the local code authorities.
5. When cutting or drilling into wall or ceiling, do not damage electrical wiring and other hidden utilities.
6. Ducted fans must always be vented to the outdoors.
7. Do not use this unit with any solid-state speed control device.
8. Never place a switch where it can be reached from a tub or shower.
9. Use this unit only in the manner intended by the manufacturer. If you have questions, contact the manufacturer.
10. This unit must be grounded.

CAUTION

1. Provide a separate 20 AMP circuit. Use 12 GA. power cable of type which meets code. Use supply wiring rated for at least 90°C.
2. This product is designed for ceiling installation only. This product is designed for installation in ceilings up to a 12/12 pitch. Ductwork must point up. **DO NOT MOUNT THIS PRODUCT IN A WALL.**
3. Install in ceiling only, at least 12" from any wall.
4. For greatest efficiency, install heater so heat is directed toward tub or shower area. Avoid directing toward walls or windows.
5. For general ventilating use only. Do not use to exhaust hazardous or explosive materials and vapors.
6. To avoid motor bearing damage and noisy and/or unbalanced impellers, keep drywall spray, construction dust, etc., off power unit.
7. Please read specification label on product for further information and requirements.

USE AND CARE

DISCONNECT ELECTRIC POWER SUPPLY BEFORE CLEANING OR SERVICING THIS UNIT.

TO REPLACE BULB:

Remove lens by gently depressing sides and pull down. Use bulb rated up to 100 watts only.

TO CLEAN LENS AND GRILLE:

Remove lens as explained above. Remove bulb. Remove acorn nut in center of light reflector and lower assembly. Unplug light. **CAUTION:** Grille and reflector are separate units.

Plastic parts can be cleaned with mild, soapy water and dried with a soft cloth. **DO NOT USE ABRASIVE CLOTHS, STEEL WOOL PADS, OR SCOURING POWDERS.**

TO CLEAN FAN ASSEMBLY:

Unplug fan motor. Remove retaining screws.

CAUTION: Fan assembly will swing downward when screws are removed. Support the fan assembly with a free hand while removing retaining screws.

Gently vacuum fan, motor and interior of housing. Motor is permanently lubricated and never needs oiling.

TO CLEAN HEATER ASSEMBLY:

Unplug heater. Remove retaining screw. Place a screwdriver tip between outer wall of housing and heater exhaust opening. Gently pry outward until exhaust housing slips out.

CAUTION: Unit will swing downward when released. Support with the heater assembly with a free hand while prying with screwdriver.

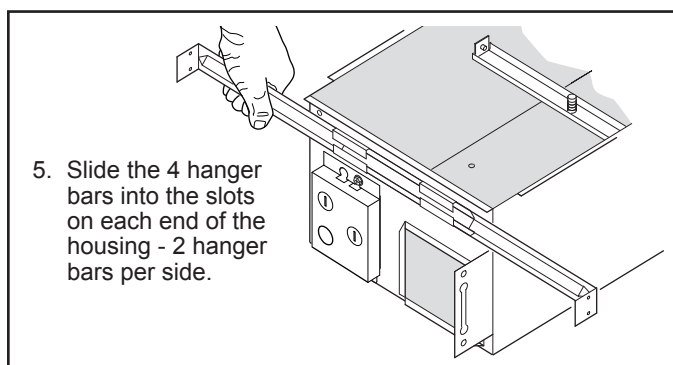
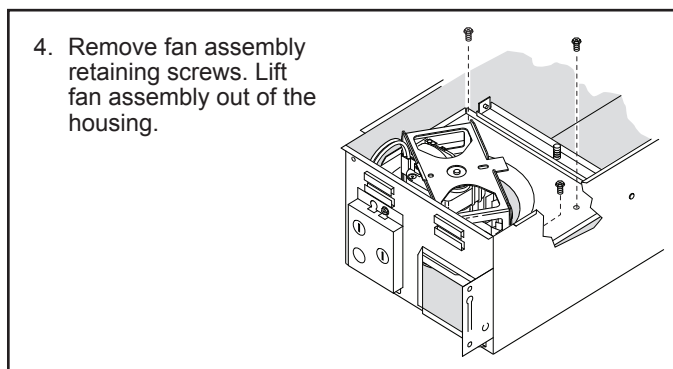
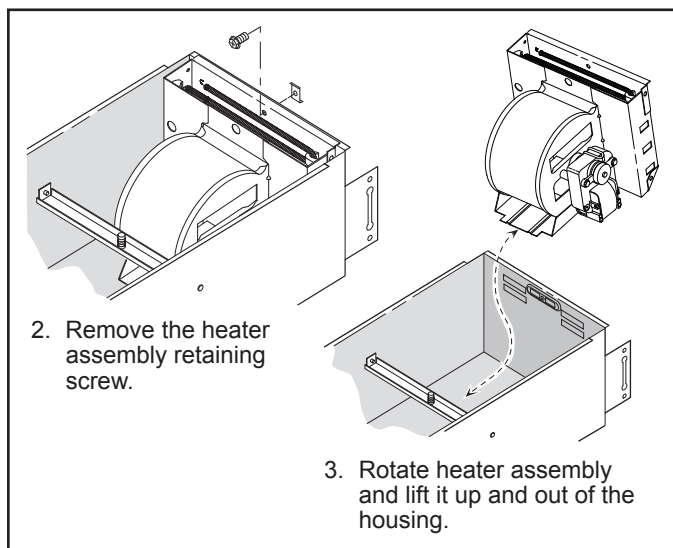
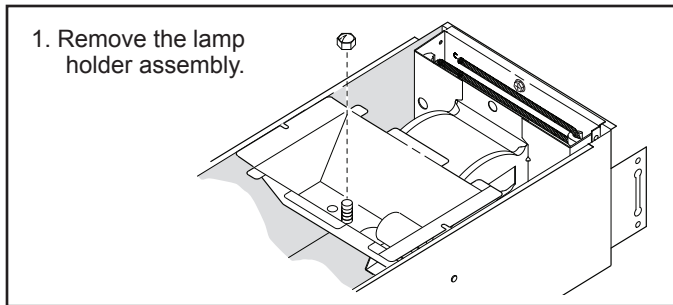
Gently vacuum blower, motor and interior of housing. Motor is permanently lubricated - never needs oiling.

METAL AND ELECTRICAL PARTS SHOULD NEVER BE IMMERSSED IN WATER.

TO REASSEMBLE ALL ABOVE PARTS:

Reverse all procedures explained above. Assemblies should not be disassembled any further than explained above.

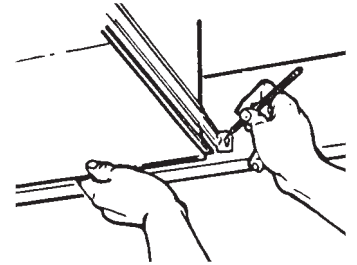
PREPARE THE UNIT



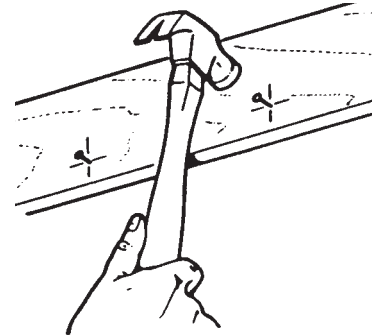
INSTALL THE UNIT

For best results, choose a location which allows fan to be vented outside with the shortest possible duct run and the fewest number of elbows.

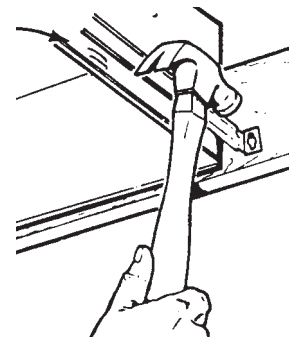
1. Position unit between joists and extend mounting brackets. Position brackets such that the bottom edge of housing will be flush with finished ceiling. Mark the top of keyhole slot on all four mounting brackets.



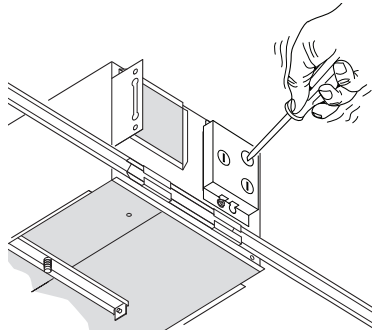
2. Remove unit temporarily, and pound nails partially into joists at all four marked locations.



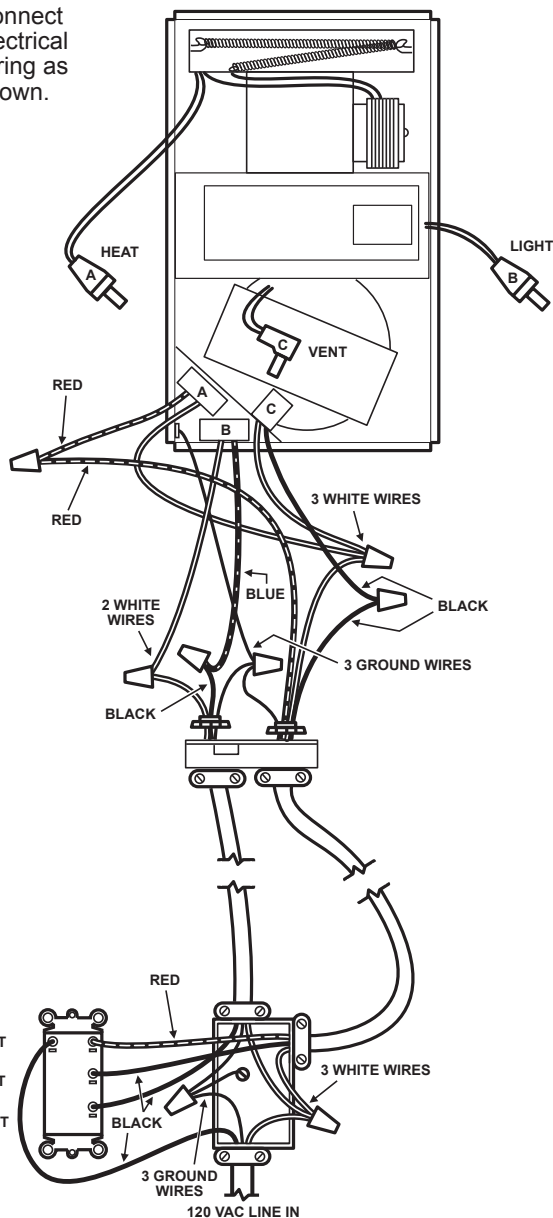
3. Hang unit from nails and check if unit will be flush with finished ceiling. Pound nails tight. For wide joist centers: A #8 x 3/8 self-tapping screw can be used to join extended brackets together and create a rigid mount. To ensure a noise-free mount, crimp the bracket channels tightly around mounting brackets.



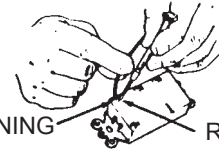
4. Use a flat-bladed screwdriver to remove the proper electrical knockouts.



5. Connect electrical wiring as shown.



WIRE OPENING RELEASE SLOT



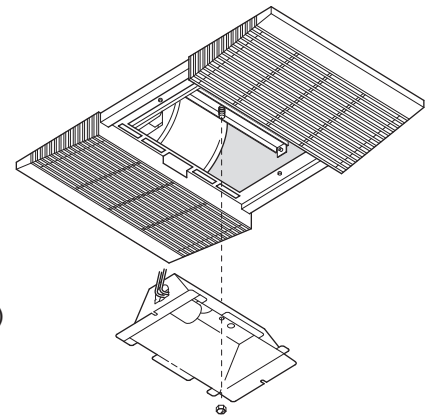
If the switch has not been wired properly and wires need to be moved:

1. Each wire opening has a release slot.
2. Push a small nail or screwdriver into release slot while gently removing wire.
3. DO NOT pull any wire out of the switch without using the release slot. The switch may be damaged.

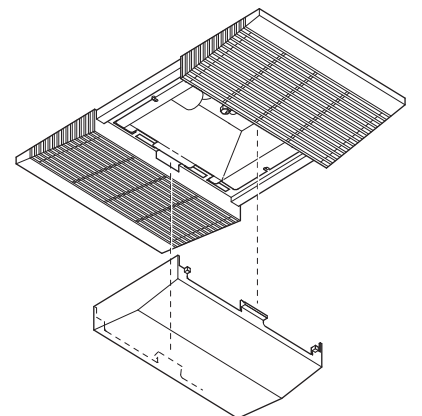
6. Replace the fan assembly removed in Step 4, under "PREPARE THE UNIT" on Page 2. Plug fan assembly into receptacle (C) on the side of the wiring cover. Direct wires away from blower inlets.

7. Replace the heater assembly removed in Steps 2, 3, under "PREPARE THE UNIT" on Page 2. Plug heater assembly into receptacle (A). Direct wires away from blower inlets.

8. Install grille and light reflector. Plug light into receptacle (B). Tighten acorn nut securely. Be careful not to overtighten nut and deform reflector. Install a 100 Watt (maximum) light bulb.

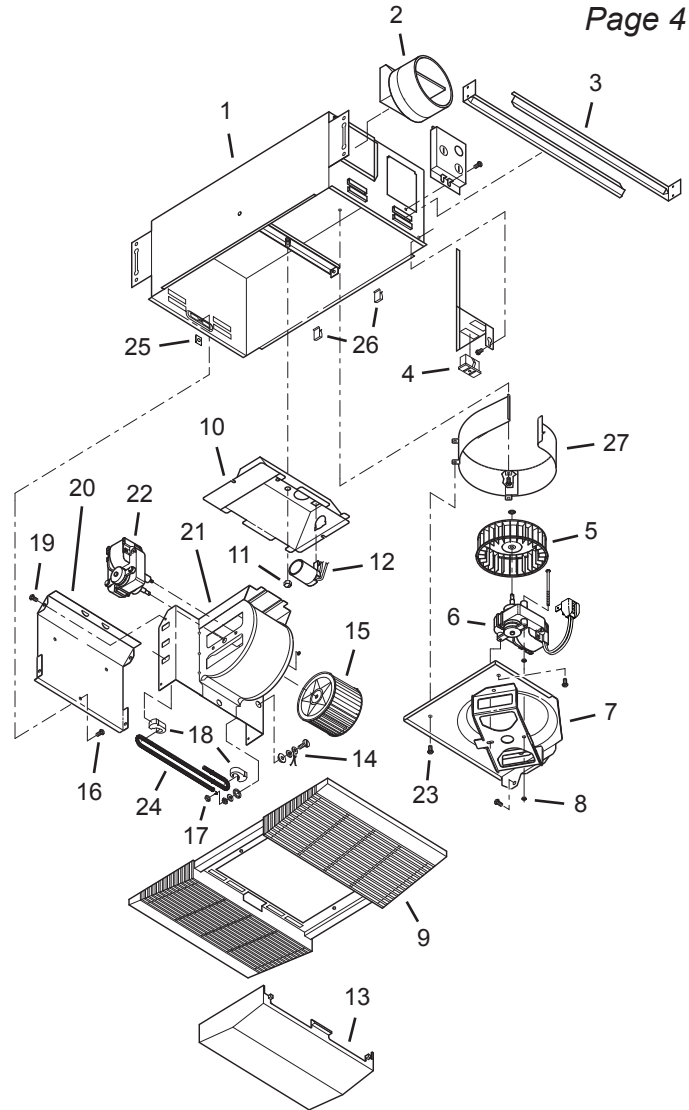


9. Install light lens. Gently squeeze tabs on lens and insert them into the slots in the grille.



SERVICE PARTS

KEY NO.	PART NO.	DESCRIPTION
1	97017451	Housing
2	30652	Damper
3	44388	Mounting Bracket (4 Req.)
4	99270981	Receptacle, White
	99270982	Receptacle, Black
	99270489	Receptacle, Red
5	82403	Fan Blower Wheel
6	99080592	Fan Motor
7	97017080	Fan Motor Plate Assembly
8	99260428	Nut (4 Req.)
9	89760	Grille
10	98010306	Light Reflector
11	97005316	Acorn Nut
12	99770112	Light Socket
13	53740	Light Lens
14	97005058	Bolt Assembly
15	99020134	Heater Blower Wheel
16	99150576	#8 x 3/8 Sheet Metal Screw (2 Req.)
17	93260457	#10 - 32 Nut (7 Req.) (2 included in Key No. 16)
18	99270107	Heater Hooks (5 Req.)
19	99150576	#8 x 3/8 Sheet Metal Screw (4 Req.)
20	98010295	Heater Scroll Cover
21	97017070	Heater Scroll Housing
22	99080593	Heater Motor
23	99150576	#8 x 3/8 Sheet Metal Screw (3 Req.)
24	98004514	Heater Element
25	99260512	Tinnerman Nut
26	99420666	Wire Clip (2 Req.)
27	98010298	Scroll Band



WARRANTY

One Year Limited Warranty

WARRANTY OWNER: Broan-NuTone warrants to the original consumer purchaser of its products that such products will be free from defects in materials or workmanship for a period of one (1) year from the date of original purchase. **THERE ARE NO OTHER WARRANTIES, EXPRESS OR IMPLIED, INCLUDING, BUT NOT LIMITED TO, IMPLIED WARRANTIES OF MERCHANTABILITY OR FITNESS FOR A PARTICULAR PURPOSE.**

During this one year period, Broan-NuTone will, at its option, repair or replace, without charge, any product or part which is found to be defective under normal use and service. **THIS WARRANTY DOES NOT EXTEND TO FLUORESCENT LAMP STARTERS OR TUBES, FILTERS, DUCT, ROOF CAPS, WALL CAPS AND OTHER ACCESSORIES FOR DUCTING.** This warranty does not cover (a) normal maintenance and service or (b) any products or parts which have been subject to misuse, negligence, accident, improper maintenance or repair (other than by Broan-NuTone), faulty installation or installation contrary to recommended installation instructions.

The duration of any implied warranty is limited to the one year period as specified for the express warranty. Some states do not allow limitation on how long an implied warranty lasts, so the above limitation may not apply to you.

BROAN-NUTONE'S OBLIGATION TO REPAIR OR REPLACE, AT BROAN-NUTONE'S OPTION, SHALL BE THE PURCHASER'S SOLE AND EXCLUSIVE REMEDY UNDER THIS WARRANTY. BROAN-NUTONE SHALL NOT BE LIABLE FOR INCIDENTAL, CONSEQUENTIAL OR SPECIAL DAMAGES ARISING OUT OF OR IN CONNECTION WITH PRODUCT USE OR PERFORMANCE. Some states do not allow the exclusion or limitation of incidental or consequential damages, so the above limitation or exclusion may not apply to you. This warranty gives you specific legal rights, and you may also have other rights, which vary from state to state. This warranty supersedes all prior warranties.

WARRANTY SERVICE: To qualify for warranty service, you must (a) notify Broan-NuTone at the address or telephone number below, (b) give the model number and part identification and (c) describe the nature of any defect in the product or part. At the time of requesting warranty service, you must present evidence of the original purchase date.

Date of Installation _____

Builder or Installer _____

Model No. and Product Description _____

IF YOU NEED ASSISTANCE OR SERVICE - CONTACT:

Broan-NuTone LLC Hartford, Wisconsin www.nutone.com 888-336-3948

Rev. 08/2007