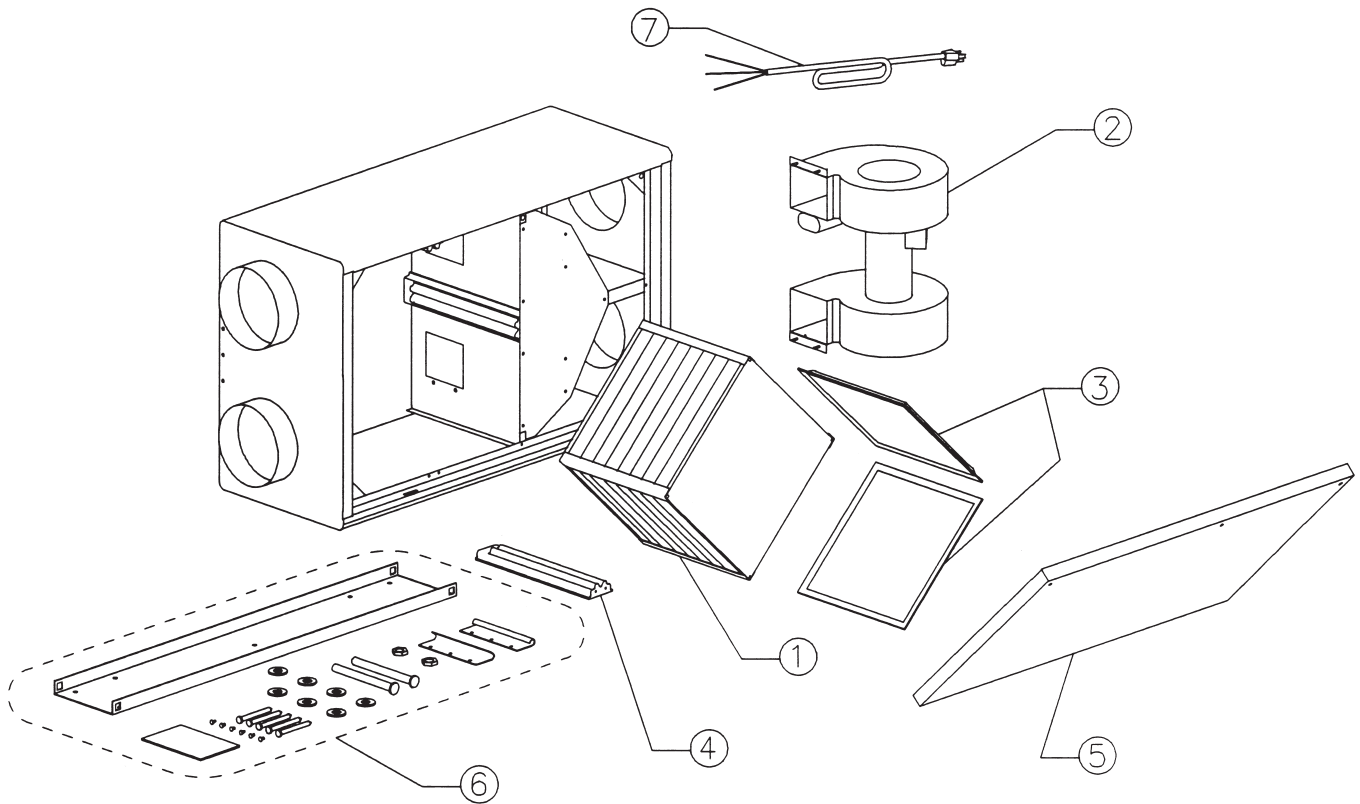


DEALER PARTS LIST

Model 8100



NO.	PART NAME	QTY/CTN	PART NO.
1	Core	1	5151
2	Blower	1	5152
3	EZ Klean Air Filters (2 Pak)	2	5153
4	Support Channel	1	5154
5	Access Door	1	5155
6	Mounting Hardware	1	5156
7	Power Cord	1	5157
OTHER PARTS			
	Air Flow Measuring Device	1	5158

We reserve the right to make modifications as deemed necessary in line with our policy to continue supplying the finest equipment available.