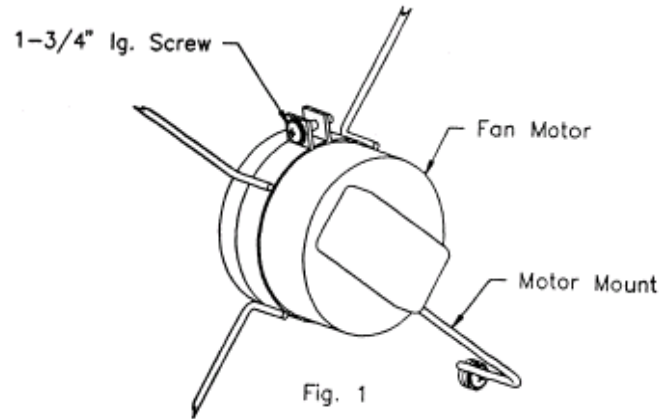




Manitowoc

FAN MOTOR REPLACEMENT KITS 7626723 AND 7626733 Installation Instructions

1. Replace original fan motor with the new fan motor.
2. Use the 1 3/4" long screw to mount the new fan motor in place (Fig. 1).



Manitowoc Ice, Inc.

2110 South 26th Street, P.O. Box 1720, Manitowoc, WI 54221-1720 USA

Telephone 920-682-0161, Fax - Sales: 920-683-7589, Service/Parts: 920-683-7585, Other: 920-683-7879

Web Site - www.manitowocice.com

8010123
Rev. 07/07/03