

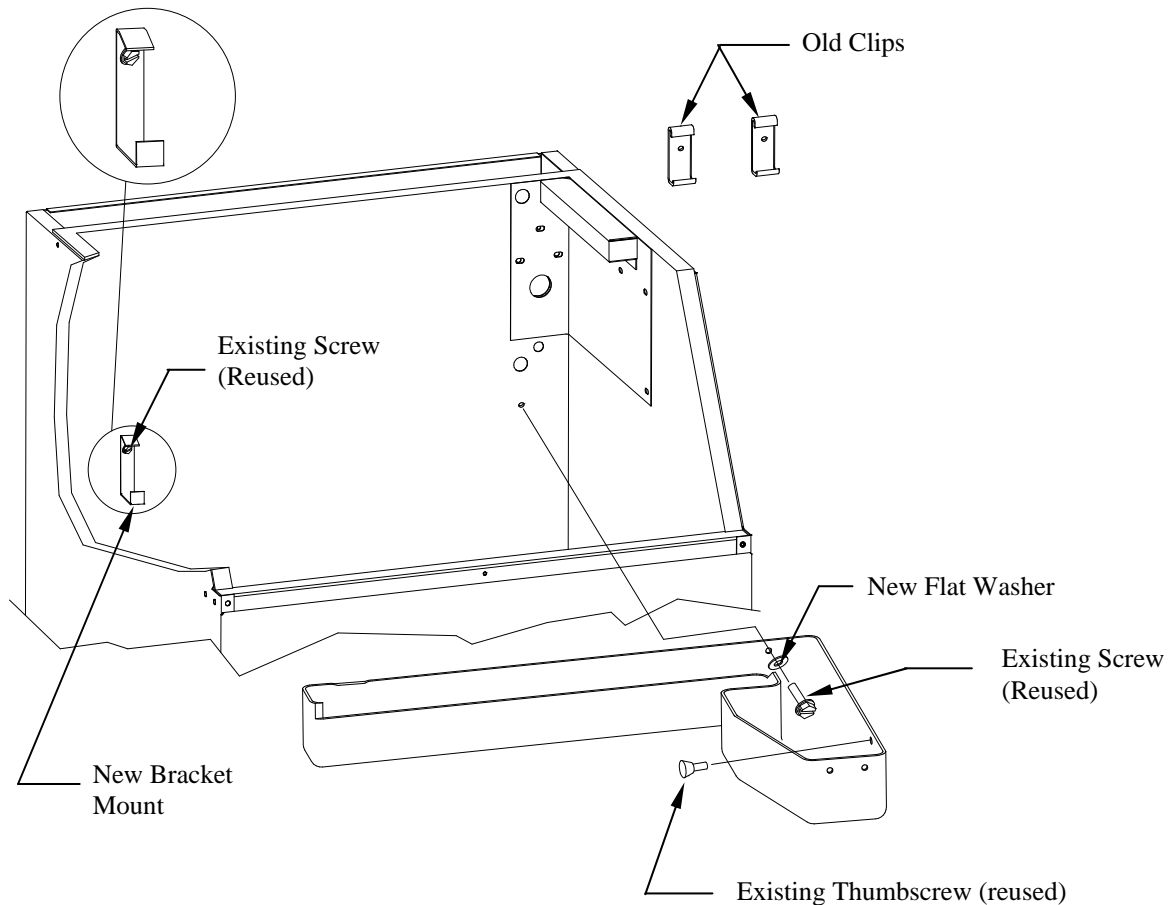


7626483

## WATER TROUGH REPLACEMENT KIT

### Installation Instructions

1. Remove water pump, float valve, and old water trough.
2. Remove both clips supporting old water trough by removing the two screws. **DO NOT DISCARD SCREWS**; they will be reused.
3. Install new bracket mount to left screw hole using screw from old clip, as shown in figure below.
4. Install new water trough using screw from old clips with new flat washer.
5. Reinstall right-side thumbscrew, float valve, and water pump.
6. Check for free movements of the water curtain.



### Manitowoc Ice, Inc.

2110 South 26 Street, P.O. Box 1720, Manitowoc, WI 54221-1720 USA

Telephone 920-682-0161, Fax - Sales: 920-683-7589, Service/Parts: 920-683-7585, Other: 920-683-7879

Web Site - [www.manitowoc.com](http://www.manitowoc.com)

8009813

Rev. 06/15/99