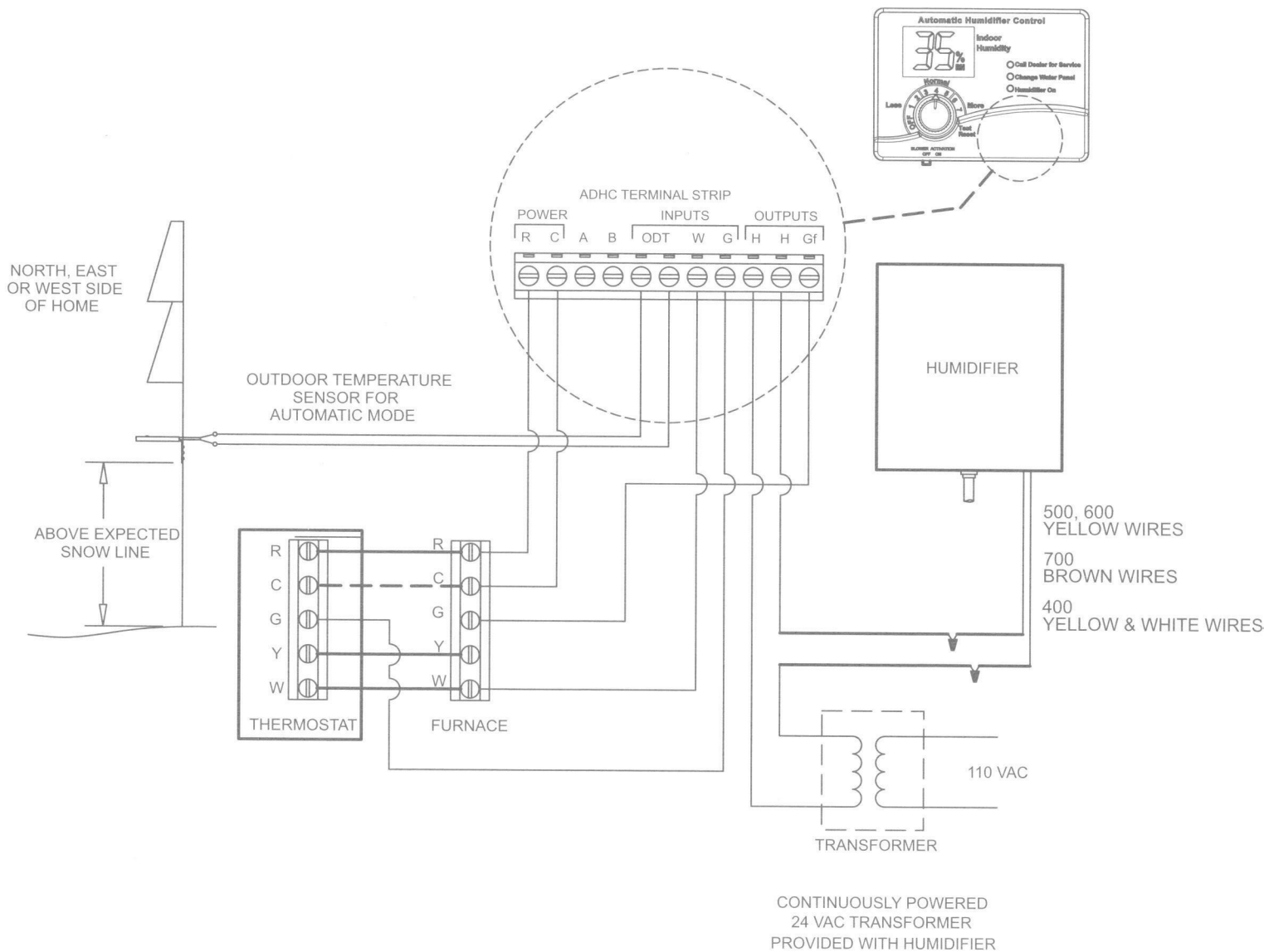


# - ATTENTION -

## New & Improved Automatic Humidifier Control Wiring Diagram

See Installation Template and ADHC Manual for more information



10008990  
B2205130A