

SAFETY INSTRUCTIONS

Read the safety and installation instructions carefully. They will help ensure a correct and SAFE installation of the Aprilaire® Electronic Air Cleaner.

WARNING

120 Volts may cause serious injury from electrical shock.

Disconnect power to the furnace/air handler before starting installation. Leave power disconnected until installation is completed.

Arcing in electrical components may cause an explosion.

Do not install unit where explosive gasses will be present.

Sharp edges may cause injury from cuts. Use care when cutting and handling sheet metal.

To reduce the risk of electrical shock, this equipment has a grounding-type (three prong) plug. This plug will fit only into a grounding-type power outlet. If the plug does not fit into the outlet, contact qualified personnel to install the proper outlet. **Do not alter this plug in any way.**

To reduce the risk of electrical shock, locate product so that the power cord can be plugged into an electrical outlet without the use of an extension cord.

CAUTION

To prevent component failure, do not install the air cleaner on the warm air supply or in an area where the temperature may exceed 140°F. This may include areas above heat exchangers in downflow furnaces or above exhaust flues in lowboy furnace cold air returns.

The air cleaner must be installed where the ambient air temperature remains between 32°F and 140°F [0°C and 60°C].

Installation must conform to all applicable codes.

Do not install an atomizing humidifier upstream of the air cleaner. Water or mist will cause power supply to shut down.

Do not plug the air cleaner into an outlet that is always live. The outlet must only be live when the furnace/air handler blower is operating. Failure to properly wire the outlet can result in excessive ozone production.

TABLE OF CONTENTS

Safety Instructions	1
Specifications	2
Dimensions	2
Components	3
Locating the Air Cleaner	4
Installing the Outer Housing and Inner Housing Assembly	5
Wiring and Startup	6
Install the LED Base	8
Install the Air Cleaner Control	8
Troubleshooting Guide	14
Maintenance Recommendations	15
Applications with a Humidifier	16

SPECIFICATIONS

0.3-0.4 µm Particle Filtration Efficiency @ 347 fpm: 94%

Replacement Media: Model 501

Airflow Capacity: up to 2000 CFM maximum

TABLE 1 – Initial Airflow Resistance (inches w.c.)

Model	Airflow (CFM)					
	1000	1200	1400	1600	1800	2000
5000	.10	.14	.17	.21	.25	.29

Electrical – Voltage:

Door: 120 VAC ± 15% @ 50/60 Hz

Control: 18-30 VAC

Electrical – Current/Power:

Door: Consumes less than 50 watts with high voltage active.

Control: 2A maximum low-voltage current for fan control

Max. Equipment Weight:

Cabinet will support 400 lb. static load

Air Cleaner and LED Base Operating Environment:

Temperature: 32°F – 140°F

Humidity: 0-90% non-condensing

Air Cleaner Control Operating Environment:

Temperature: 20°F – 120°F

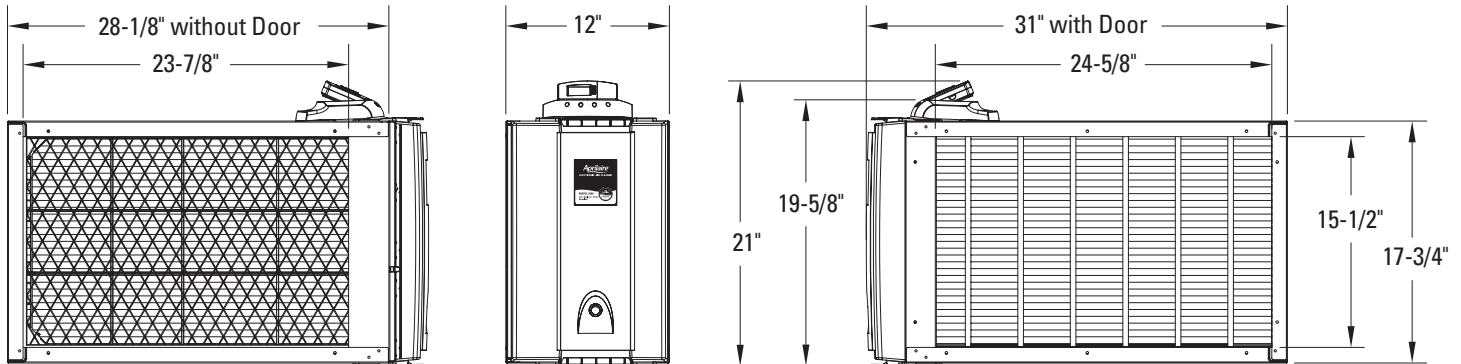
Humidity: 0-90% non-condensing

CAUTION

Do not wire the Control to EAC terminals of HVAC system. These terminals are 120 Volts and will damage the Air Cleaner Control.

DIMENSIONS

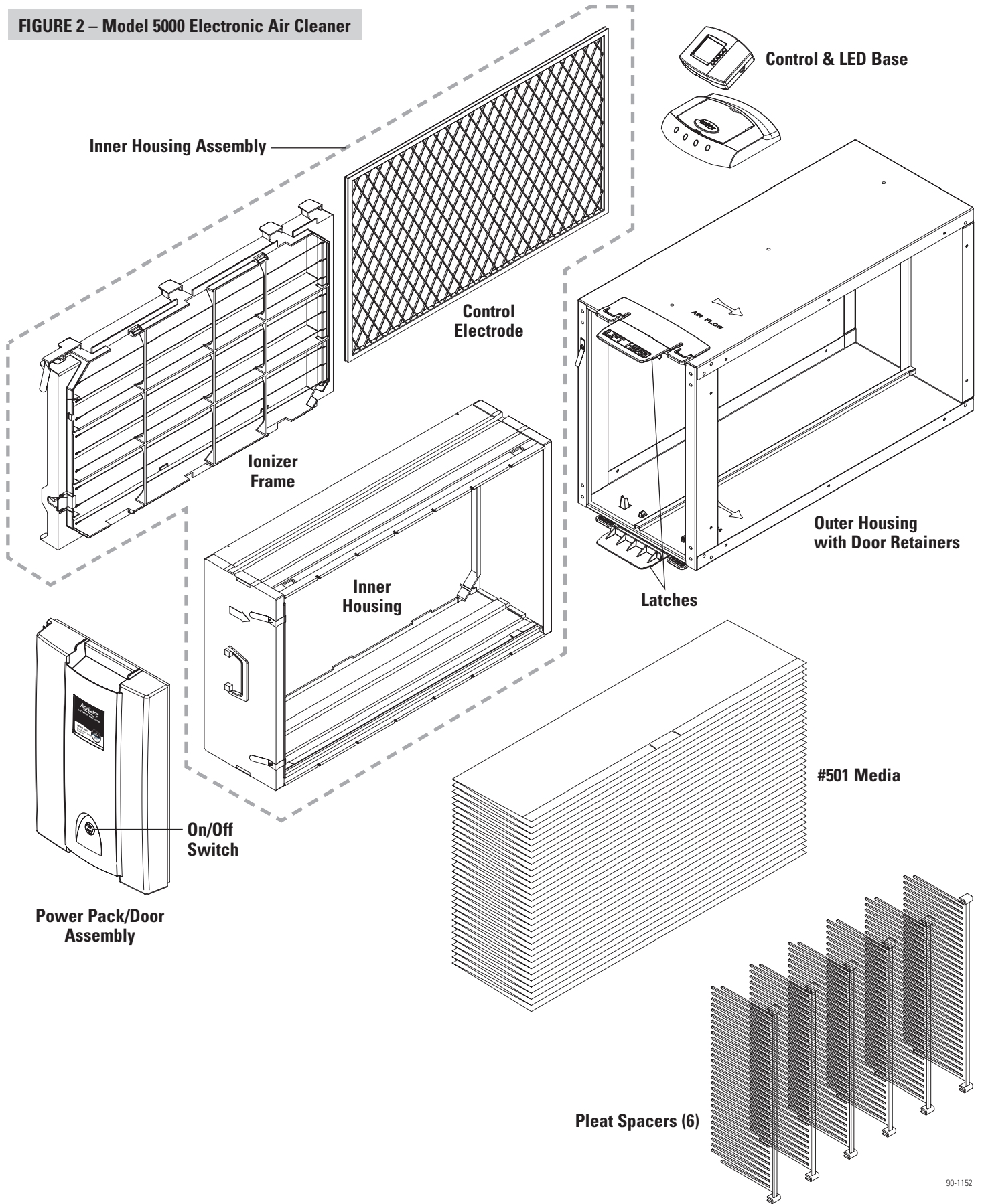
FIGURE 1 – Dimensions of the Model 5000 Electronic Air Cleaner



90-1346

COMPONENTS

FIGURE 2 – Model 5000 Electronic Air Cleaner



LOCATING THE AIR CLEANER

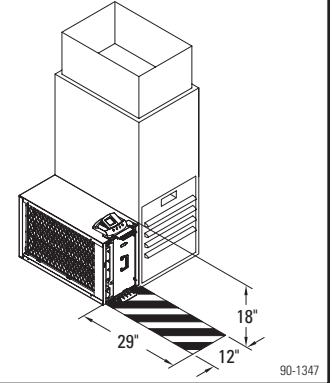
The Model 5000 can be installed in a variety of ways. The figures below show some of the possibilities.

The air cleaner may be installed on the left or right side of the air handler. If installed on the right, the ON/OFF switch will be on top and the nameplate will be on the bottom. Remove the nameplate and rotate it 180° to read properly.

FIGURE 3 – Clearance for Inner Housing Removal

It is important to leave enough room to remove and re-install the Inner Housing.

Allow Clearance for Removal of Inner Housing for Filter Replacement.



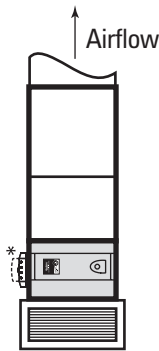
Bottom Return in upflow
"Highboy" installation.

(Figure 4)

Inline in duct, horizontal
or vertical installation.

(Figure 5)

FIGURE 4



Note: Air Cleaner outer housing can support up to 400 lbs.

FIGURE 5



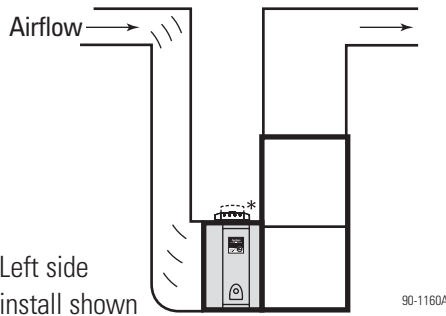
Left side
install shown

90-1159A

Side Return in upflow
"Highboy" installation.

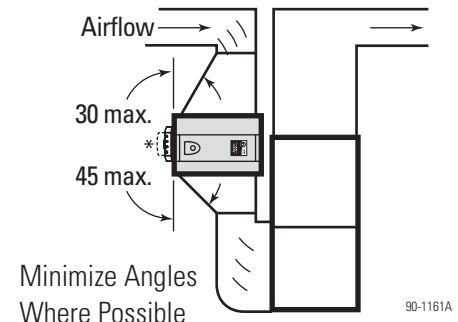
(Figures 6 & 7)

FIGURE 6



Left side
install shown

FIGURE 7

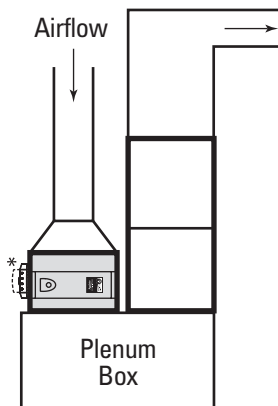


Minimize Angles
Where Possible

Compact Side Return in upflow
"Highboy" installation (**Figures 8 & 9**).
Either of the methods shown in **Figures 6 and 7** will result in a narrower "footprint", creating better clearance in tight mounting applications.

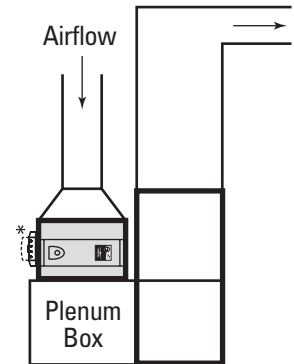
*Leave 4-1/2" above LED Base to allow for installation of Air Cleaner Control.

FIGURE 8



Plenum
Box

FIGURE 9



Size Plenum Box to fit outer housing
without door: 17 3/4" x 28 1/8"
See **Figure 2** for complete dimensions

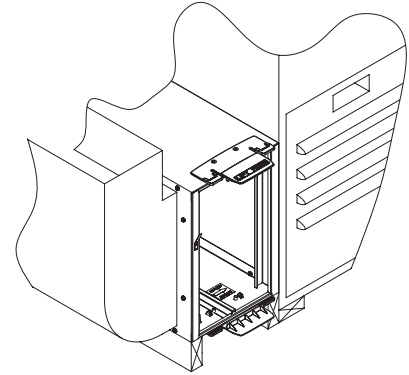
INSTALLING THE OUTER HOUSING AND INNER HOUSING ASSEMBLY

⚠ WARNING

120 Volts may cause serious injury from electrical shock. Leave power disconnected until installation is complete.

1. Turn the system OFF at the thermostat by changing the mode selector to OFF – this may be a switch or a pushbutton, depending on the type of thermostat.
2. Disconnect power service to the furnace or air handler.
3. Remove air cleaner power pack / door assembly and pull inner assembly out of the outer housing.
4. Remove the media carton and the cardboard inserts and strapping, used to hold the media, from the inner housing.
5. On retrofit applications, remove and discard the existing filter and filter housing. Thoroughly clean the blower, blower compartment and evaporative coil.
6. With the airflow label on the outer housing pointing toward the furnace/air handler (see **Figure 10**), attach the outer housing to the furnace/air handler.

FIGURE 10

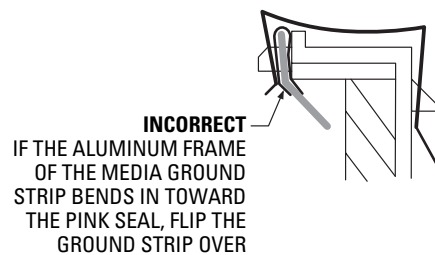
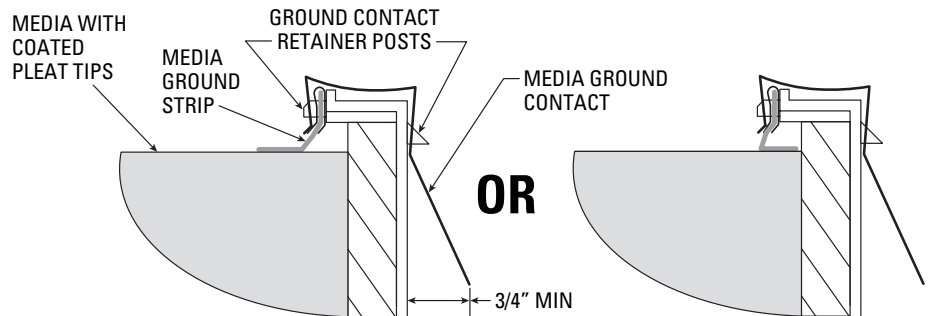


90-1348

Support Air Cleaner to Prevent Torque on Outer Housing.

7. Provide support for the housing, as shown in **Figure 10**, if the unit is to be installed on the side of an upflow furnace/air handler (see example of this type of installation in **Figure 6**).
8. Seal the perimeter of the inlet and outlet connections with mastic, caulk or tape as desired. **DO NOT USE SILICON BASED CAULK.**
9. Open the inner housing and install the media. Use the instructions provided on the carton of the media.
10. After installing the media, close the inner housing. Check the media ground strip to ensure it is properly contacting the pleats – see **Figure 11**. If not, remove the ground strip by removing the ground contacts, and reposition as shown in **Figure 11**. Verify that the holes in the media ground contacts go over the ground contact retainer posts.
11. Check to make sure that the ionizer frame is fully installed onto the inner housing and that the control electrode is inserted fully into the ionizer frame.
12. Insert the inner assembly (ionizer frame and inner housing) into the outer housing.
13. Continue with **WIRING AND START UP** on page 6.

FIGURE 11



90-1154

WIRING AND START UP

WARNING

120 Volts may cause serious injury from electrical shock. Leave power disconnected until installation is complete.

1. Install a grounded (earth ground) 120-volt single receptacle outlet in accordance with NEC Standards and local codes, into which the EAC will be plugged. This outlet is to be live only when the furnace/air handler blower is running.

For equipment with EAC terminals:

- A. Install a single-receptacle outlet to the furnace/air handler wired as shown in **Figure 12**.
- B. Use a marker or label to identify the outlet as **"EAC USE ONLY"**.

For 120-volt equipment without EAC terminals:

- A. Use an Aprilaire Model 51 Current Sensing Relay to wire a single receptacle outlet as shown in **Figure 13**. Refer to the instructions provided with the Model 51 for details on wiring requirements.
- B. For blowers that are 1/2 hp or larger, clamp the Model 51 around the common wire of the blower – see **Figure 14**.
- C. For blowers that are less than 1/2 hp, clamp the Model 51 around two wraps of the common wire as shown in **Figure 14**.
- D. Use a marker or label to identify the outlet as **"EAC USE ONLY"**.

For 240-volt equipment without EAC terminals:

- A. Install a 2:1 step down transformer to get 120-volt service. Use the instructions provided with the transformer to ensure it is properly installed. Do not use ground as the common connection for the outlet.
 - B. Follow the instructions **"For 120-volt equipment without EAC terminals:"** above, except double the number of wraps around which the Model 51 is clamped.
2. Press the power cord into the slot in the side of the power pack (door) so that the plug is directed toward the installed outlet.
 3. Install the door on the housing (with the inner assembly installed in the housing). Place the bottom of the door on the lower door retainer, then swing the door toward the upper door retainer and snap into place.
 4. With the door ON/OFF switch in the OFF position, plug the door into the installed outlet.

CAUTION

Do not plug the air cleaner into an outlet that is always live. The outlet must only be live when the furnace/air handler blower is operating. Failure to properly wire the outlet can result in excessive ozone production.

5. Restore power to the furnace/air handler.
6. Turn on the heating or continuous fan (whichever uses the slowest fan speed) and verify that the **blue light on the door is not on** (see **Figure 15**).
7. Turn ON the door switch.
8. Verify that the **blue light on the door turns on** (see **Figure 15**).
9. If the light is on, turn off the heating or fan and verify that the light on the door turns off. If the light turns off, installation is complete. If the light on the door does not turn on and off as described, continue with Step 10.
10. If the light stays on after the blower has stopped running, the outlet is continuously live and must be rewired in accordance with Step 1.
11. If the light flashes on, then turns off, or if the light does not come on at all, refer to the **TROUBLESHOOTING** section on page 14.

FIGURE 12

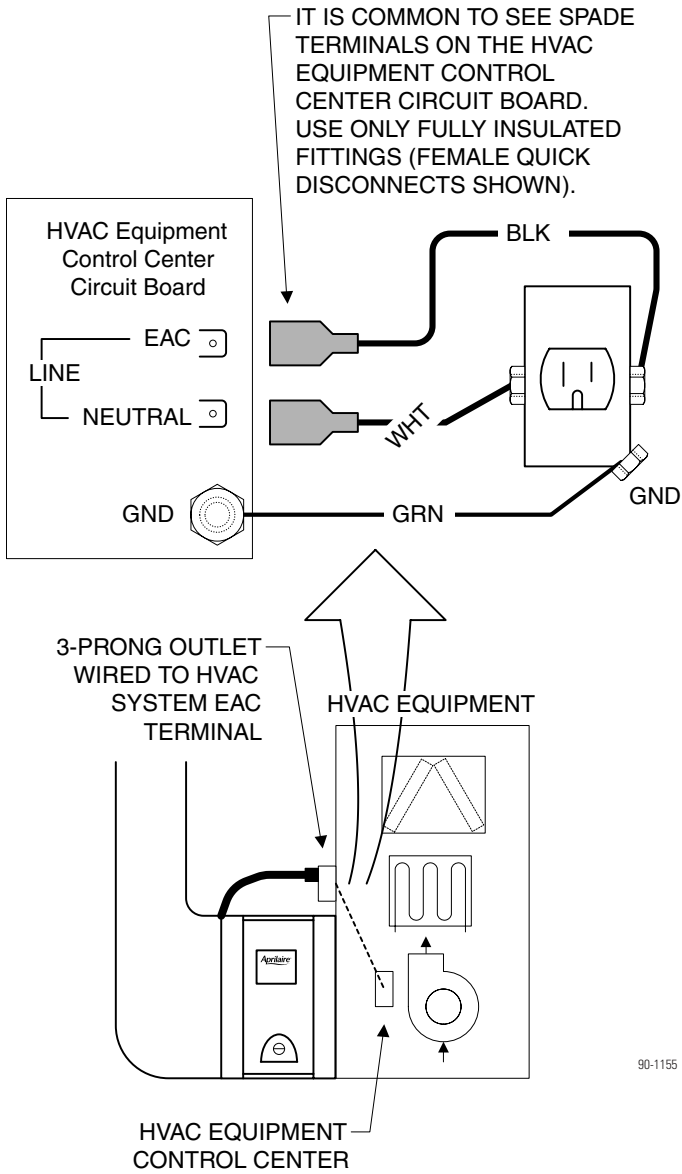


FIGURE 13

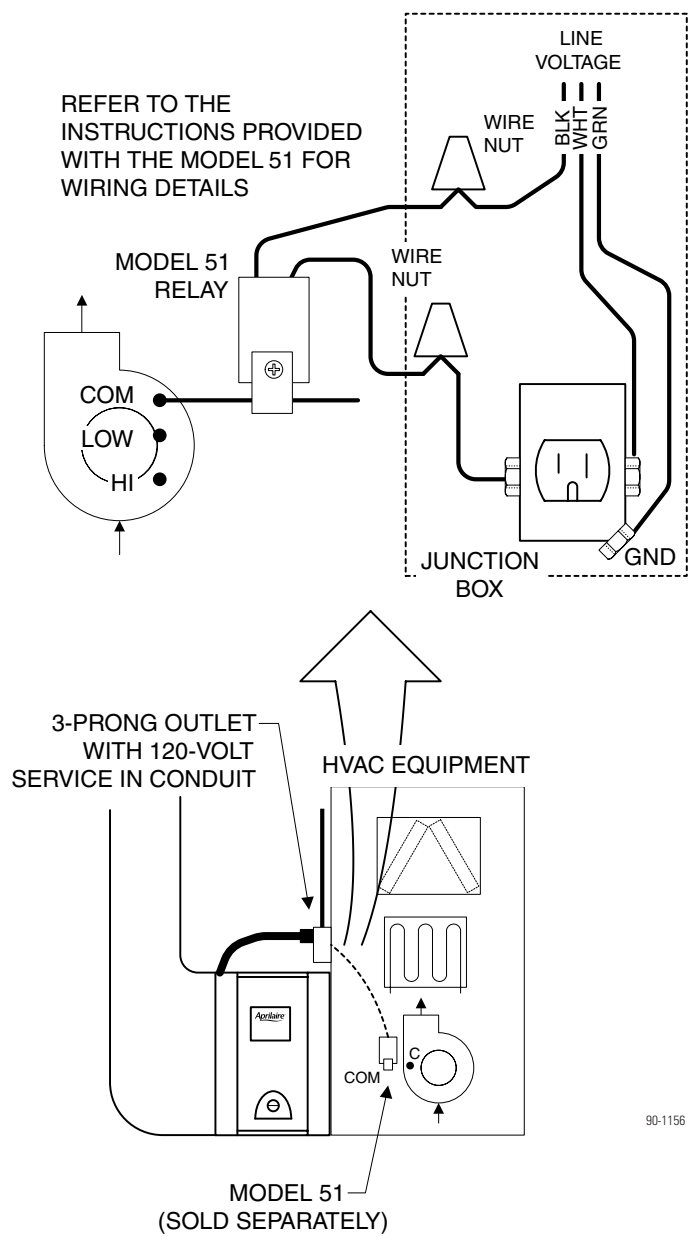


FIGURE 14

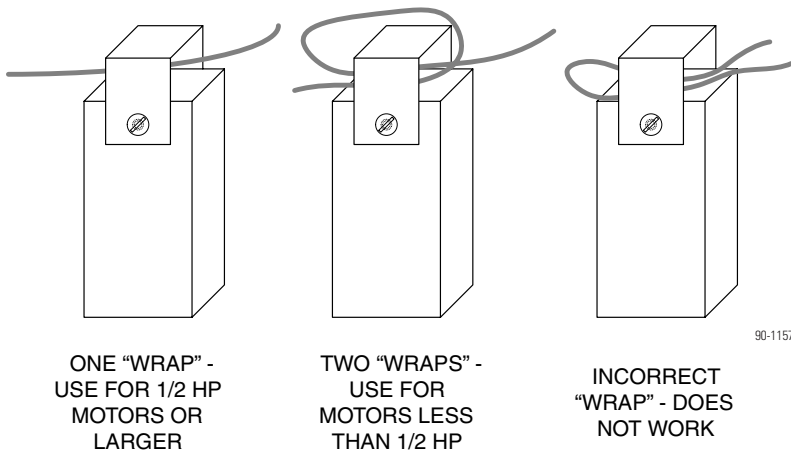
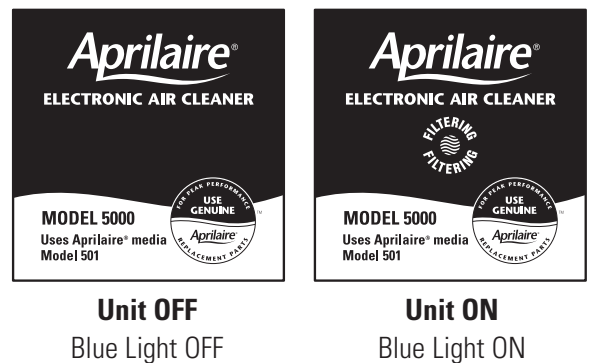


FIGURE 15





STOP! Complete installation and checkout of the air cleaner before proceeding with installation of the controls.

INSTALL THE LED BASE

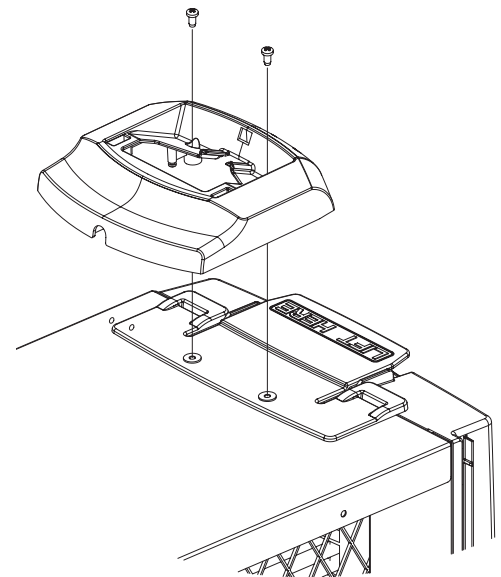
1. Disconnect power to the furnace or air handler at the electrical service panel.

WARNING

120 Volts may cause serious injury from electrical shock. Disconnect power to the furnace/air handler before starting installation. Leave power disconnected until installation is completed.

2. Remove the cover from the LED Base.
3. Use the supplied screws to mount the LED Base to the outer housing as shown in **Figure 16**.
4. Replace the cover on the LED Base.

FIGURE 16



90-1354

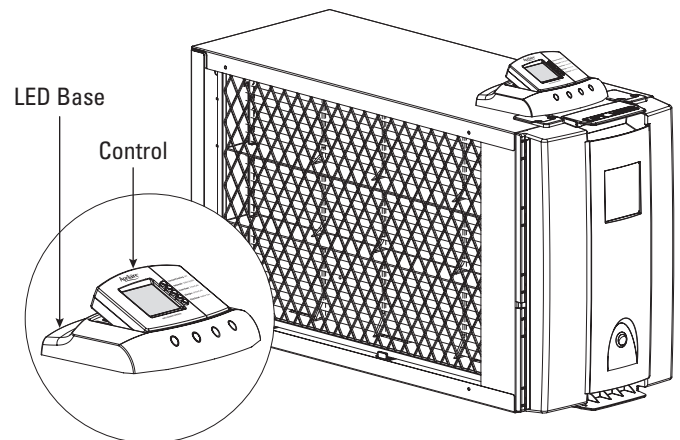
INSTALL THE AIR CLEANER CONTROL

The electronic controls that are included with the air cleaner are used to circulate air through the air cleaner, monitor filter life and inform the user that the air is being cleaned. Users can turn on the blower for a set period of time or adjust it so that the blower is on, either as part of a heating/cooling call or blower only, for a set number of minutes per hour. This requires the Air Cleaner Control to be mounted in an accessible location, and requires 18-22 gauge (standard thermostat cable) wires to be run between the air cleaner components and the HVAC components.

THE AIR CLEANER CONTROL CAN BE MOUNTED:

- **Option 1:** near the thermostat – see pages 9-10.
- **Option 2:** on the air cleaner in the LED Base, as shown in **Figure 17** – see page 11.
- **Option 3:** near the HVAC equipment – see page 12.

FIGURE 17 – Air Cleaner Control Mounted on the Air Cleaner

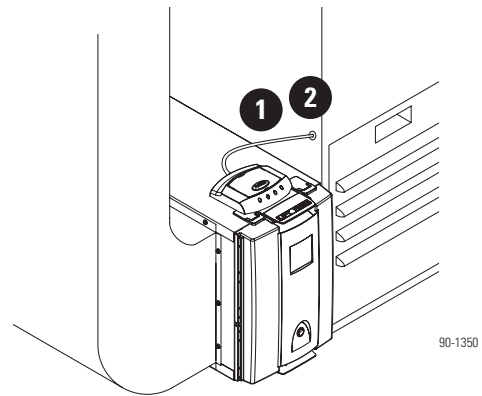


90-1349

OPTION 1 – INSTALL THE AIR CLEANER CONTROL NEAR THE THERMOSTAT

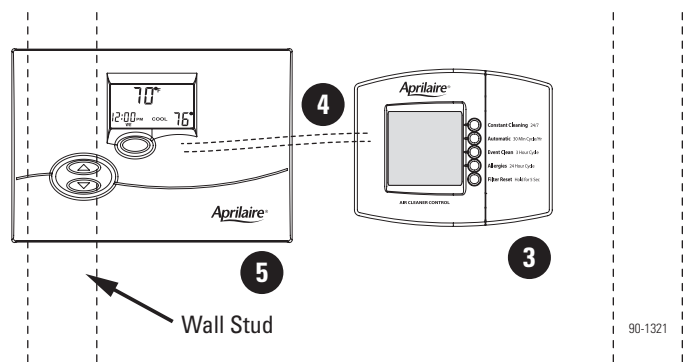
- 1 Run a 3-conductor cable between the LED Base and the low voltage controls of the HVAC equipment.
- 2 Remove the cover from the LED Base and wire the LED Base to the low voltage controls of the HVAC equipment as shown in **Diagram 1**. Replace the cover on the LED Base.
- 3 Remove the backplate from the Air Cleaner Control and install the backplate near the thermostat. Use the wire opening in the wall behind the thermostat to make sure there is not a wall stud between the thermostat and desired mounting location.
- 4 Run a 5-conductor cable between the thermostat and Air Cleaner Control.
- 5 Wire the thermostat to the Air Cleaner Control as shown in **Diagram 2** or **Diagram 3**. **Diagram 2** is for standard, single thermostat systems; **Diagram 3** is for two-transformer systems such as radiant heat with forced air cooling. Replace the Air Cleaner Control on the backplate.

FIGURE 18



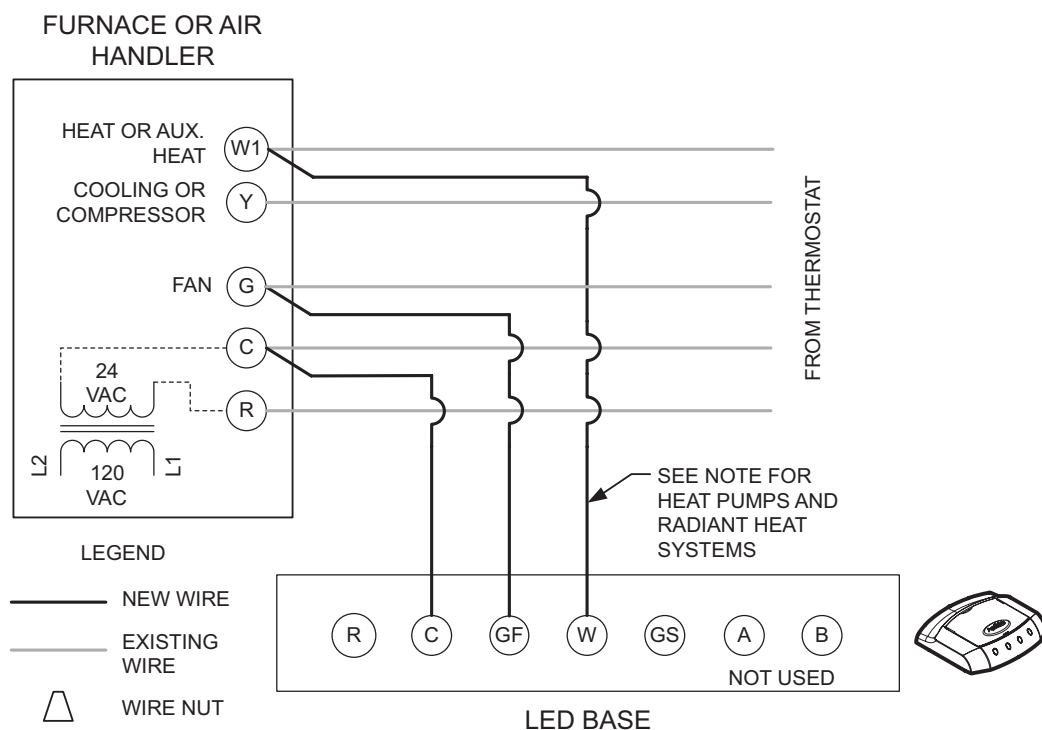
90-1350

FIGURE 19



90-1321

DIAGRAM 1 – Wiring the LED Base to the HVAC Equipment

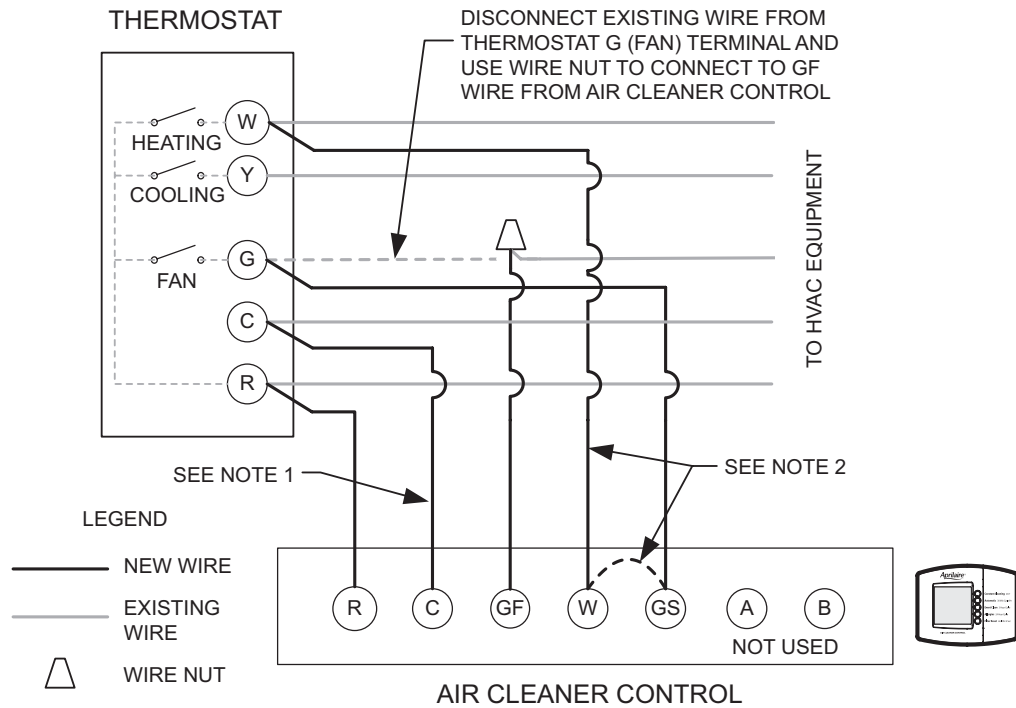


NOTE: IF THERE IS NO AUXILIARY HEAT OR IF THERE IS ONLY RADIANT HEAT, DO NOT WIRE THE EQUIPMENT TO THE W TERMINAL OF THE LED BASE.

90-1328

OPTION 1 – INSTALL THE AIR CLEANER CONTROL NEAR THE THERMOSTAT (CONTINUED)

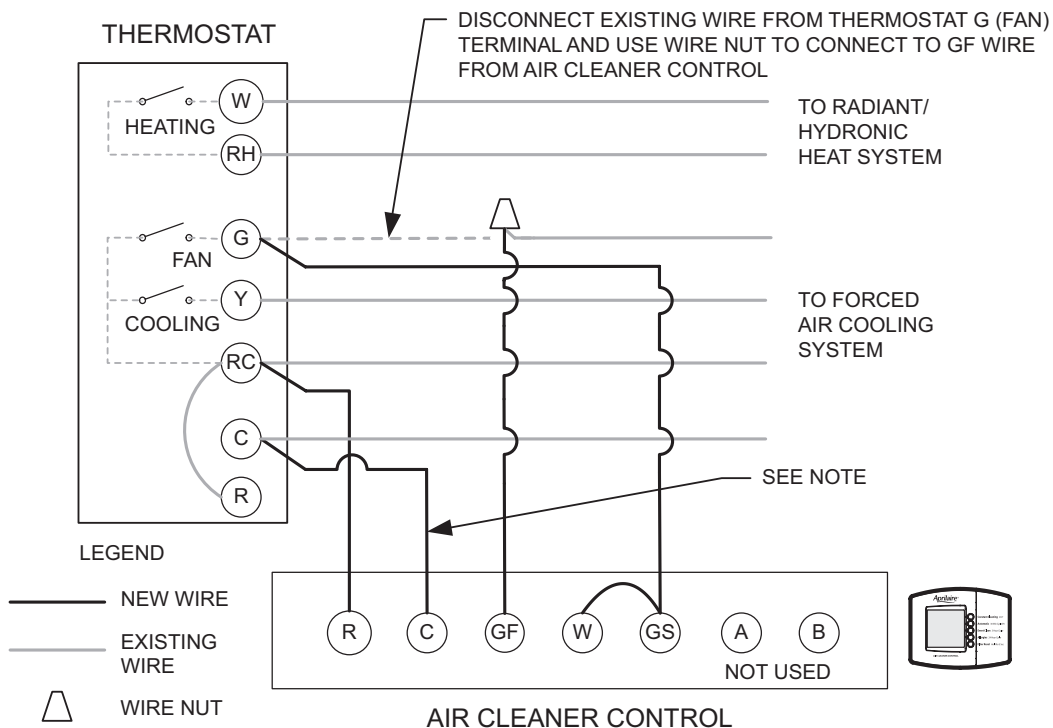
DIAGRAM 2 – Single Transformer Systems



- NOTE 1: IF THE TRANSFORMER COMMON IS NOT AVAILABLE, USE THE SUPPLIED BATTERIES TO POWER THE AIR CLEANER CONTROL.
- NOTE 2: IF THERE IS NO HEAT OR AUXILIARY HEAT OUTPUT WIRED ON THE THERMOSTAT, JUMPER THE GS AND W TERMINALS ON THE AIR CLEANER CONTROL.

90-1332

DIAGRAM 3 – Two Transformer Systems



- NOTE: IF THE TRANSFORMER COMMON IS NOT AVAILABLE, USE THE SUPPLIED BATTERIES TO POWER THE AIR CLEANER CONTROL. **USE ONLY THE FORCED AIR COOLING SYSTEM TRANSFORMER TO POWER THE AIR CLEANER CONTROL IN TWO TRANSFORMER SYSTEMS.**

90-1331

OPTION 2 – AIR CLEANER CONTROL MOUNTED ON THE AIR CLEANER

- 1 Run a 5-conductor cable between the LED Base and the low voltage controls of the HVAC equipment.
- 2 Remove the cover from the LED Base and wire to the low voltage controls of the HVAC equipment as shown in **Diagram 4**.
- 3 Connect the supplied cable to the Air Cleaner Control and LED Base then slide the Air Cleaner Control into place.

FIGURE 20

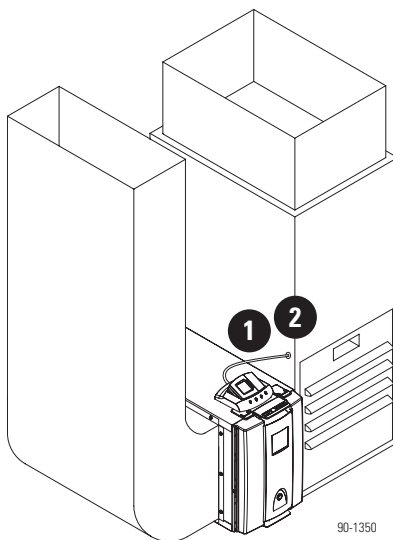


FIGURE 21

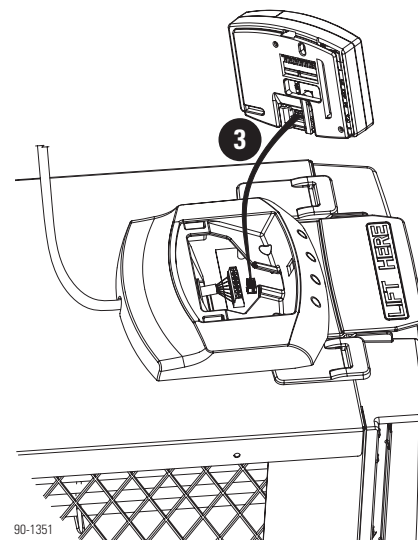
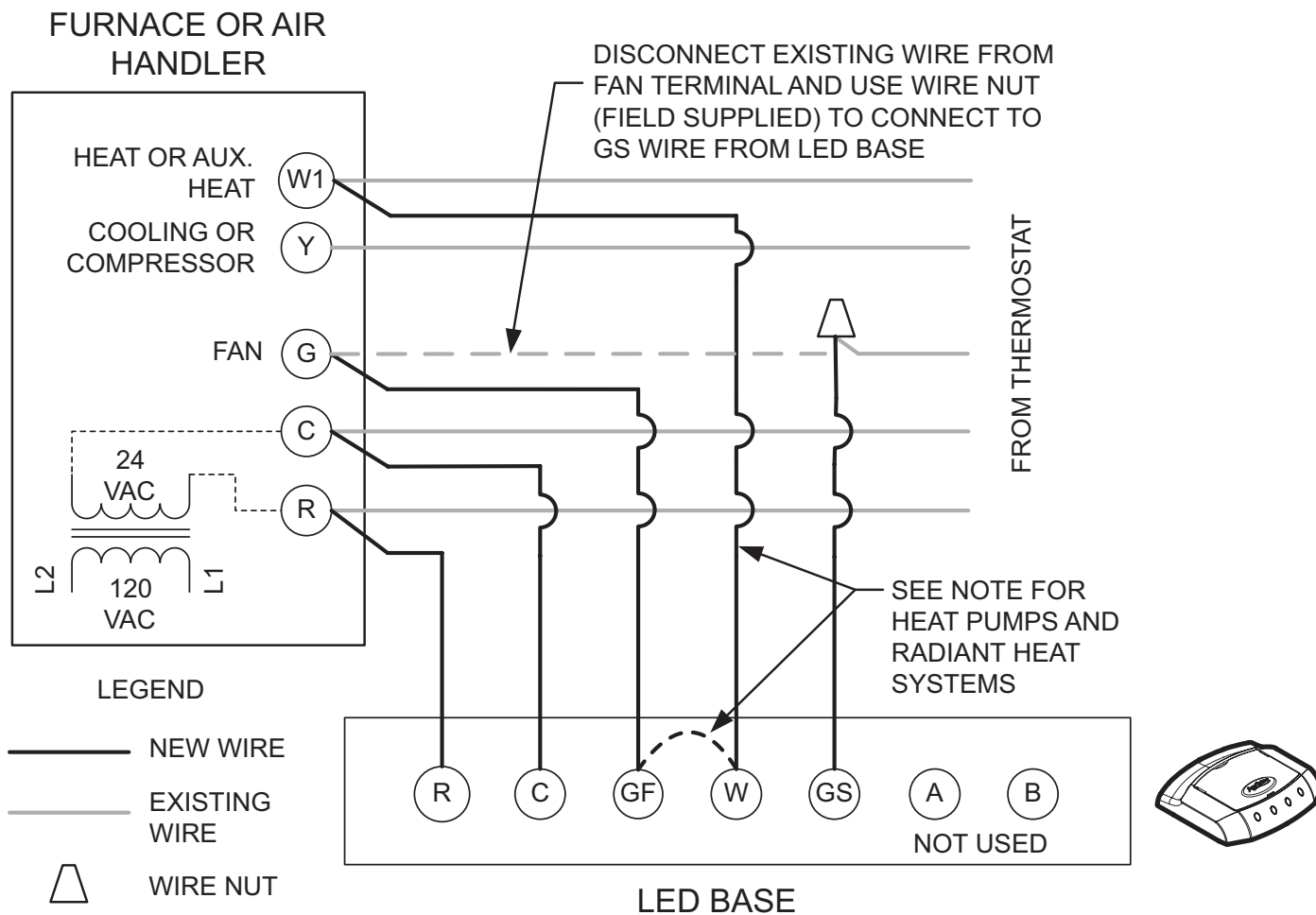


DIAGRAM 4 – Wiring the LED Base to the HVAC Equipment



NOTE: **IF THERE IS NO AUXILIARY HEAT OR IF THERE IS ONLY RADIANT HEAT, DO NOT WIRE THE EQUIPMENT TO THE W TERMINAL OF THE LED BASE, AND JUMPER THE GF AND W TERMINALS ON THE LED BASE.**

OPTION 3 – INSTALL THE AIR CLEANER CONTROL NEAR THE HVAC SYSTEM

- 1 Remove the backplate from the Air Cleaner Control, and install the backplate at the desired location for the Air Cleaner Control.
Do not install the Air Cleaner Control on supply ductwork.
- 2 Run a 5-conductor cable between the Air Cleaner Control and the LED Base.
- 3 Run a 5-conductor cable between the LED Base and the low voltage controls of the HVAC equipment.
- 4 Remove the cover from the LED Base and wire the Air Cleaner Control to the LED Base as shown in **Diagram 5**. Replace the Air Cleaner Control on the backplate.
- 5 Wire the LED Base to the HVAC equipment as shown in **Diagram 6**. Replace the cover on the LED Base.

DIAGRAM 5 – Wiring the Air Cleaner Control to the LED Base

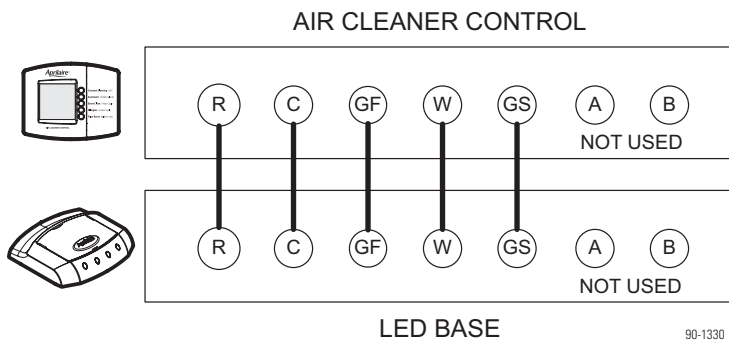


FIGURE 22

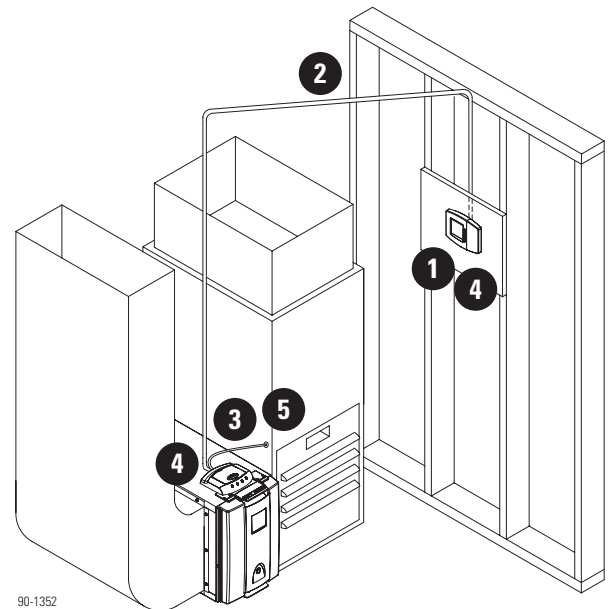
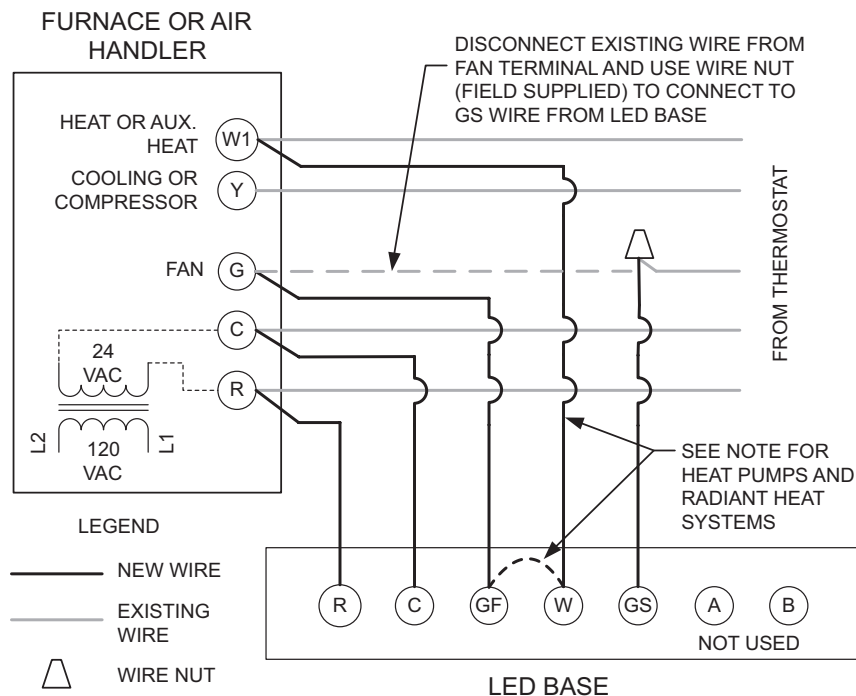


DIAGRAM 6 – Wiring the LED Base to the HVAC Equipment



NOTE: IF THERE IS NO AUXILIARY HEAT OR IF THERE IS ONLY RADIANT HEAT, DO NOT WIRE THE EQUIPMENT TO THE W TERMINAL OF THE LED BASE, AND JUMPER THE GF AND W TERMINALS ON THE LED BASE.

90-1329

INSTALL THE AIR CLEANER CONTROL

SET UP

FILTER LIFE INDICATOR – SETTING THE REPLACEMENT FREQUENCY

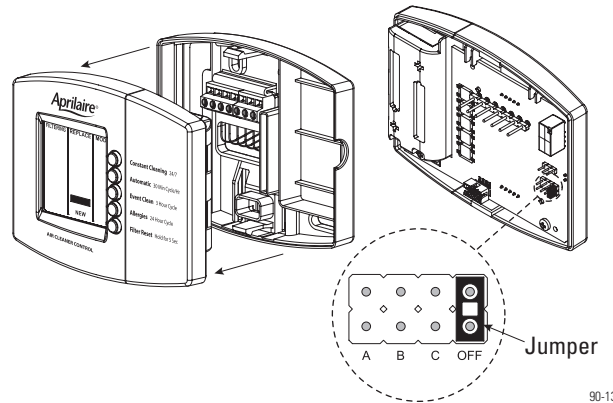
Set the jumper on the back of the Air Cleaner Control circuit board, as shown in **Figure 23**, to the desired frequency for filter changes.

TABLE 2 – Filter Change Frequency

Jumper Position	Filter Change Setting
OFF	One calendar year (365 days)
A	6570 hours of use (9 months of continuous blower run time)
B	4380 hours of use (6 months of continuous blower run time)
C	2190 hours of use (3 months of continuous blower run time)

The factory default setting is OFF.

FIGURE 23



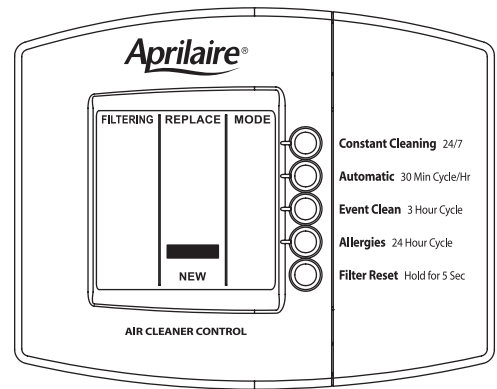
90-1338

START UP

1. Restore power to the HVAC equipment.
2. Set the thermostat mode to OFF and fan to AUTO.
3. The display on the Air Cleaner Control should look like **Figure 24**.
 - Verify that there is no activity in the “FILTERING” portion of the display.
4. Press the “Event Clean” button on the Air Cleaner Control.
 - Verify that the blower starts.
 - Verify that the “FILTERING” portion of the display sequences (**Figure 25**).
 - Verify that the LEDs on the LED base are sequencing on and off (**Figure 26**).
5. Press the “Event Clean” button again to cancel the operation.
6. Return the thermostat Mode and Fan to the desired setting.

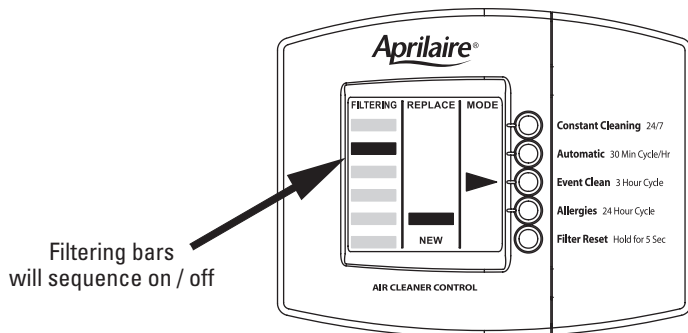
Refer to the Owner’s Manual for details on the operation of the Air Cleaner Control.

FIGURE 24



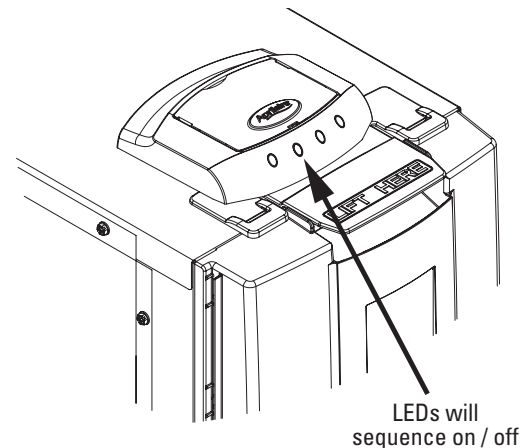
90-1322

FIGURE 25



90-1322

FIGURE 26

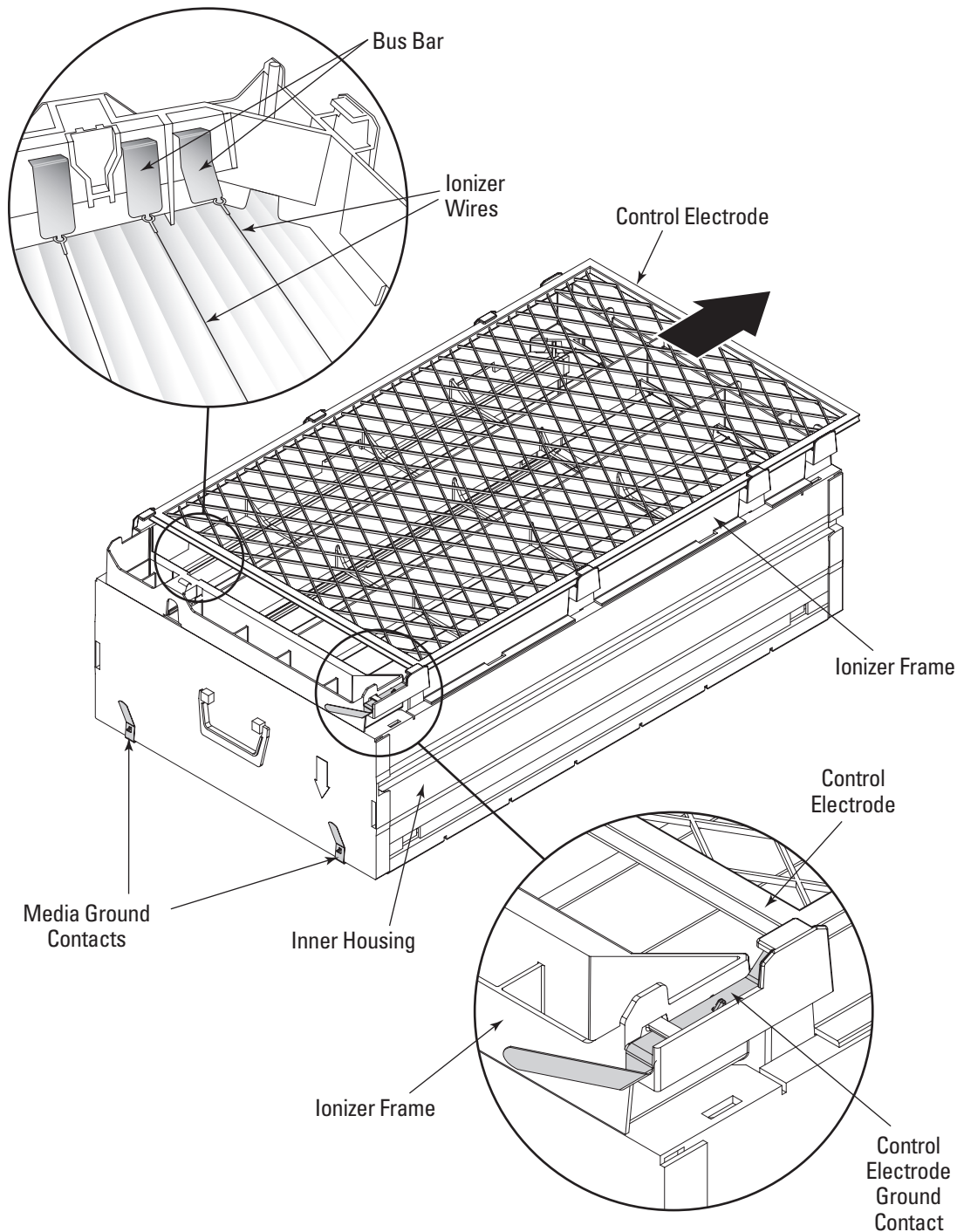


90-1353

TROUBLESHOOTING GUIDE

PROBLEM	POSSIBLE CAUSE(S)	SOLUTION(S)
Light does not come on at all after 90 seconds	ON/OFF switch not in ON position	Turn switch ON
	Air cleaner not plugged in	Plug in air cleaner
	Insufficient current to activate Model 51 relay	Wrap blower common wire around relay bracket more - see Figure 14 on page 7 for wire wrapping method
	Furnace/air handler not running	Turn blower on by making a heat call or turning Fan ON
Light flashes on then off quickly	Over current or arcing detected	Ensure components are dry
		Excessive humidity - run cooling to lower humidity levels
		Ensure that all 9 ionizer wires are held at both ends
		Look for foreign object contacting ionizer wires or buss bar
	Door not fully installed - ensure door is latched into top and bottom retainer	
	Insufficient current to sustain Model 51 relay	Wrap blower common wire around relay bracket more - see Figure 14 on page 7 for wire wrapping method
Loose connection in outlet junction box or at furnace/air handler EAC terminal	Check wire nuts, screw terminals and crimped connectors for loose wires. Use only fully insulated crimped connectors.	
Light stays on after blower stops running	Outlet in which air cleaner is plugged is continuously live	See Step 1 in Wiring and Start Up section – page 6
Produces an ozone smell	Outlet in which air cleaner is plugged is continuously live	See Step 1 in Wiring and Start Up section – page 6
	Large crack/hole in media	Replace media
	Poor connection between media ground strip and media	Remove ground strip and reinstall as shown in Figure 11 on page 5
	Poor contact between control electrode and ground contact	Push in control electrode so it fully seats in the ionizer frame – see Figure 27 on page 15.
	Ground contacts not touching door liner	With the inner assembly installed in the outer housing, bend up ground contacts (2-media ground contacts, 1-control electrode ground contact) so they are at least 3/4" higher than the top of the inner housing. Refer to Figure 11 and Figure 27 .
	Media ground contacts not fully installed	Remove ground contacts and reinstall as shown in Figure 11 on page 5
Makes a buzzing sound or causes TV interference	Large crack/hole in media	Replace media
	Poor connection between media ground strip and media	Remove ground strip and reinstall as shown in Figure 11 on page 5
	Poor contact between control electrode and ground contact	Push in control electrode so it fully seats in the ionizer frame
	Ground contacts not touching door liner	With the inner assembly installed in the outer housing, bend up ground contacts (2-media ground contacts, 1-control electrode ground contact) so they are at least 3/4" higher than the top of the inner housing. Refer to Figure 11 and Figure 27 .
	Media ground contacts not fully installed	Remove ground contacts and reinstall as shown in Figure 11 on page 5

FIGURE 27 – Maintenance



90-1151

MAINTENANCE RECOMMENDATIONS

Whenever performing maintenance on the air cleaner, turn off the HVAC system, then turn off and unplug the air cleaner.

Before performing any maintenance item listed below:

1. At the thermostat, turn the Fan to Auto (this is done with a switch or a button on the thermostat – refer to thermostat Operating Instructions for details) and the Mode (Heat-Off-Cool) to Off (also done with a switch or a button at the thermostat – refer to thermostat Operating Instructions for details).
2. Turn the ON/OFF switch on the air cleaner door to the OFF position.
3. Unplug the door, remove the door from the outer housing and then pull the inner assembly out of the outer housing.

MAINTENANCE RECOMMENDATIONS (CONTINUED)

CLEAN THE CONTROL ELECTRODE

Most homes will require cleaning of the control electrode once a year, while a few homes may require cleaning more often. The primary purpose of the control electrode is to develop a good ionization field, but it does attract particles and will filter out larger particles like pet hair. Check this item 6 months after initial installation to determine how often it should be cleaned in the future.

- If build up of larger particles that partially block the airflow is occurring, clean the control electrode every 6 months.
- If there is only dust build up occurring, clean the control electrode every 12 months.

Procedure:

1. Lay the inner housing assembly on a flat surface with the control electrode facing up (see **Figure 27**).
2. Slide the control electrode out of the ionizer frame and wipe with a clean cloth, or vacuum with a brush attachment.
3. Return the thermostat Fan and Mode selectors to their appropriate settings.

REPLACE THE MEDIA

The media attracts and neutralizes ionized particles. Most homes require replacement of the media once a year. How quickly build up occurs will depend on many factors including lifestyle, construction details and environment.

- Check the media 6 months after initial installation. If the media appears dark grey or brown, replace it and check the media for replacement every 6 months thereafter.
- Replace the media no less often than once per year.
- **Always use Genuine Aprilaire Model 501 Replacement Media. The Model 5000 is designed to work only with Genuine Aprilaire 501 Replacement Media. Use of other media will damage your Model 5000 Electronic Air Cleaner.**

Procedure: Follow the instructions on the 501 media carton.

CLEAN THE IONIZER WIRES

Particles will normally build up on the positively charged ionizer wires during operation. The ionizer wires should be cleaned to maintain the highest level of filtration.

- Clean the ionizer wires at least once a year.

Procedure:

1. Lay the inner assembly on a flat surface with the control electrode facing up (see **Figure 27**).
2. Slide the control electrode out of the ionizer frame and set it aside.
3. Using 200 grit sandpaper or an abrasive dish scrubber, clean each of the nine ionizer wires. Even if the wires don't appear dirty, clean each one. Do not use steel wool as this material readily sheds.
4. Replace the control electrode in the ionizer frame, return the inner assembly to the outer housing, reinstall the door, and turn the ON/OFF switch to the ON position.
5. Return the thermostat Fan and Mode selectors to their appropriate settings.

CLEAN THE INNER ASSEMBLY

Dust will collect on all parts of the air cleaner, which is normal.

- Clean the inner housing and ionizer frame once a year.

Procedure:

1. Use a vacuum with a brush attachment or a cloth to wipe off collected dust on the inner housing and ionizer frame.
2. Return the inner assembly to the outer housing, reinstall the door, and turn the ON/OFF switch to the ON position.
3. Return the thermostat Fan and Mode selectors to their appropriate settings.

APPLICATIONS WITH A HUMIDIFIER

An Aprilaire® Automatic Humidifier can be mounted upstream from the air cleaner.

CAUTION

Do not install an atomizing humidifier upstream from the air cleaner.