

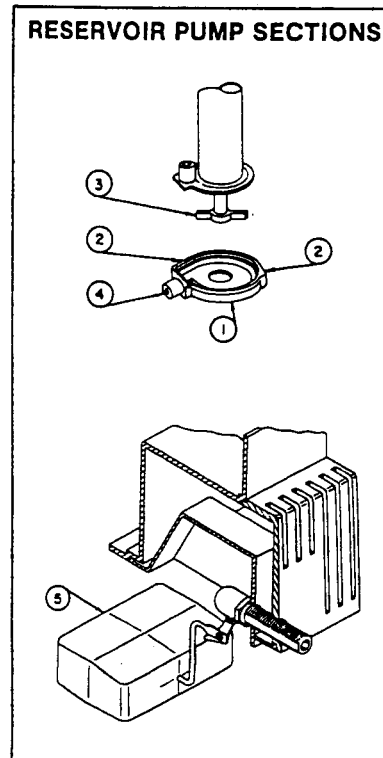
MAINTENANCE INSTRUCTIONS

FOR *Aprilaire* HUMIDIFIER

Model 445

CAUTION: 120 volts. To avoid possibility of shock, disconnect power before servicing.

1. Disconnect electrical service and turn off water.
2. Remove two aluminum knobs, swing up and remove top cover from humidifier.
3. Place finger under plastic nozzle outlet at top of black water distribution pan. Lift up to pop hose fitting loose from hole and notch in black distribution pan. Lift the complete plastic framed evaporative section out of the humidifier.
4. To remove black water distribution pan from evaporative section, push down on pan and out on white plastic frame (Scale Control Insert). Clean "V" openings of water distribution panel but **DO NOT** scrape coating off bottom surface.
5. Remove Water Panel from Scale Control Insert and clean Insert by flexing or using putty knife. Inspect Water Panel and replace, if necessary, with colored spot up.
6. Reinstall black water distribution pan. Reinstall evaporative section in the humidifier, with notch and hole in black water distribution pan toward you.
7. Hold bottom of reservoir (IT IS FILLED WITH WATER) and loosen retainer knob. Carefully lower reservoir disengaging from metal frame.



MODEL 445/RESERVOIR PUMP SECTIONS

Refer to drawings for easy identification of numbered photos. NOTE: Clean and refill reservoir (see A and B below) every 30 days during heating season.

A. TO CLEAN RESERVOIR

1. Empty water, remove partition and reservoir liner.
2. Clean or replace reservoir liner. Reinstall partition in liner. To replace reservoir, hook back of reservoir over lip of dark brown metal frame and tighten knob.
3. **Be sure to leave reservoir empty** in Spring, turn on water to fill in Fall.

B. TO CLEAN HOSE

1. Disconnect hose from pump and pull hose up through hole.
2. Flex hose to loosen scale and flush clean with a stream of water.
3. Clean nozzle at the same time.

C. TO CLEAN PUMP

1. Remove bottom cover (1) of pump impeller by pushing down on projecting sides (2).
2. Clean scale from inside of cover and impeller (3) with dull blade.
3. Clean flow control (4) in pump outlet with 5/32" bit.
4. Snap bottom cover in place.
5. Pull water hose down through hole, connect to pump and attach nozzle end to water distribution pan.

D. TO CLEAN FLOAT

1. Clean scale off float (5), with dull blade.

E. TO OIL MOTOR

1. Disconnect water line at valve inlet and swing line free. Disconnect the humidistat leads.
2. Remove the three screws from the motor cover and slide along the power cord until clear.
3. Use 2 drops SAE 20 oil in two yellow oil holes.

F. TO REASSEMBLE

1. Replace motor cover.
2. To reinstall reservoir, hook back of reservoir over lip of dark brown metal frame and tighten knob.
3. Reconnect water at valve inlet.
4. To reinstall top cover, hook back under lip of dark brown metal frame and tighten two knobs.
5. Reconnect humidistat leads and electricity.
6. Turn water on and fill reservoir in the fall.



RESEARCH PRODUCTS CORPORATION

P.O. BOX 1467 • MADISON, WI. 53701-1467

Call 800/356-9652 (Except WI.) • 608/257-8801

Manufacturers of products for better air ... everywhere!

DP #10001796

B-22-1532