



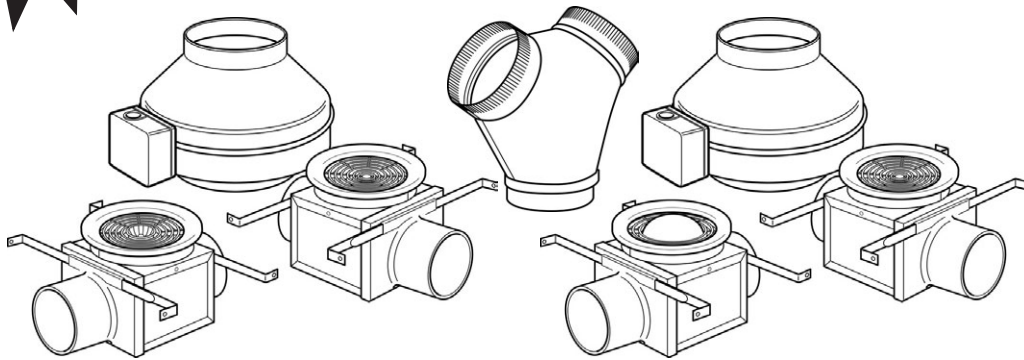
Fantech



PB Series PREMIUM BATH FANS

Single Grille Units
4" Duct
PB110
PB110F
PB110H

Single and Dual Grille Units 6" Duct
PB190 **PB270FV-2**
PB270-2 **PB270HV-2**
PB270F-2 **PB370-2**
PB270H-2



IMPORTANT: PLEASE READ THIS MANUAL BEFORE INSTALLING UNIT

WARNINGS: *DO NOT CONNECT POWER SUPPLY until unit is completely installed.
Make sure electrical service to the fan and light is locked in "OFF" position.*

WARNING! TO REDUCE THE RISK OF FIRE, ELECTRIC SHOCK, OR INJURY TO PERSONS – OBSERVE THE FOLLOWING:

- a. Use this unit only in the manner intended by the manufacturer. If you have any questions, contact your manufacturer's representative.
- b. CAUTION: Before installation, servicing or cleaning unit, switch power off at service panel and lock the service disconnecting means to prevent power from being switched on accidentally. When the service disconnecting means cannot be locked, securely fasten a prominent warning device, such as tag, to the service panel.
- c. Installation work and electrical wiring must be done by qualified person(s) in accordance with all applicable codes and standards. This unit is only for use in non-fire-rated installations.
- d. When cutting or drilling into wall and ceiling, do not damage electrical wiring and other hidden utilities.
- e. NEVER place a switch where it can be reached from a tub or shower.
- f. If this unit is installed over a tub or shower, it must be connected to a GFCI (Ground Fault Circuit Interrupter) – protected branch circuit.
- g. The combustion airflow needed for safe operation of fuel burning equipment may be affected by this unit's operation. Follow the heating equipment manufacturer's guidelines and safety standards such as those published by the National Fire Protection Association (NFPA), the American Society of Heating, Refrigeration, and Air Conditioning Engineers (ASHRAE) and the local code authorities.
- h. Exhaust fans must always be vented to the outdoors.

CAUTION: "For General Ventilation Use Only. Do Not Use To Exhaust Hazardous Or Explosive Material and Vapors."

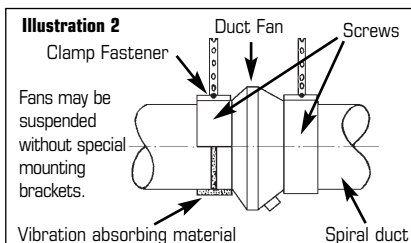
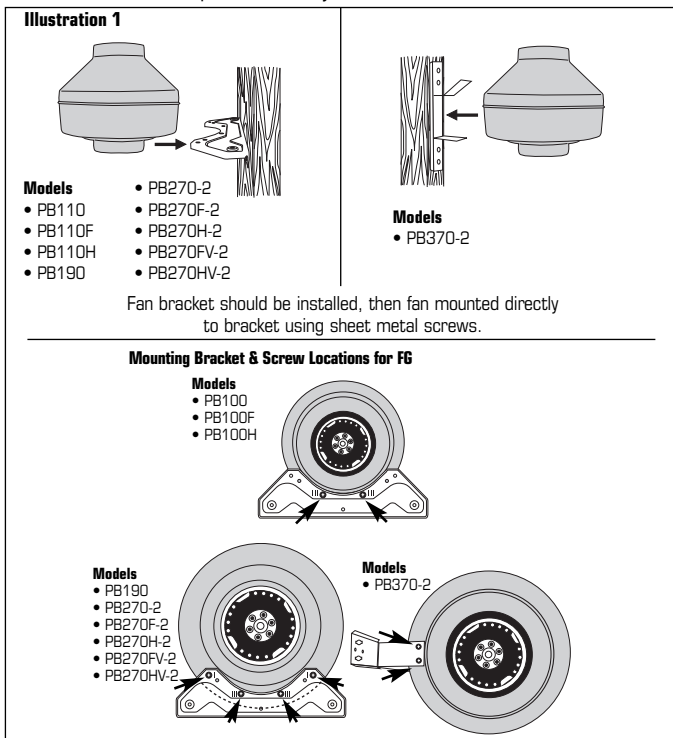
CAUTION: BULB USED IN FLUORESCENT MODELS NOT DIMMABLE

CAUTION: USE ONLY FANTECH (MODEL PBB14) FLUORESCENT BULBS AND PAR16/MR16 GU10 50W MAX. HALOGEN BULBS (FANTECH MODEL PBB50).

Installing Fan and Bracket

- Before selecting mounting location for fan, consider the following:
 - Mounting the fan as far as possible from the intake point will assure quiet operation. A minimum of 8' of insulated flexible duct is recommended between exhaust grille and fan.
 - Place fan where it can be easily accessed for service.
- Attach the mounting bracket to a support beam with wood screws provided. Fan can be mounted at any point along the duct and at any angle. Vertical mounting is recommended to reduce condensation in the fan. For horizontally mounting, either wrap insulation around the fan or drill a 1/4" hole in the bottom of the housing. Add NPT insert and drain tube (purchased separately) for drainage of condensation.
- For PB Series fans, if bracket is used to mount fan, refer to illustration 1. If suspending fan with hanger straps, refer to illustration 2.
- Connect duct to inlet and outlet of fan using plastic ties or duct tape (purchased separately). When using insulated flexible duct, the inner vinyl core should be clamped or taped to the inlet and outlet and the vapor barrier surrounding the insulation should be duct taped to the fan housing. **Fantech recommends insulated flexible duct for all bathroom exhaust applications.**

Please Note: Steps 2 & 3 may be reversed.



Flexible Duct Installation Hints

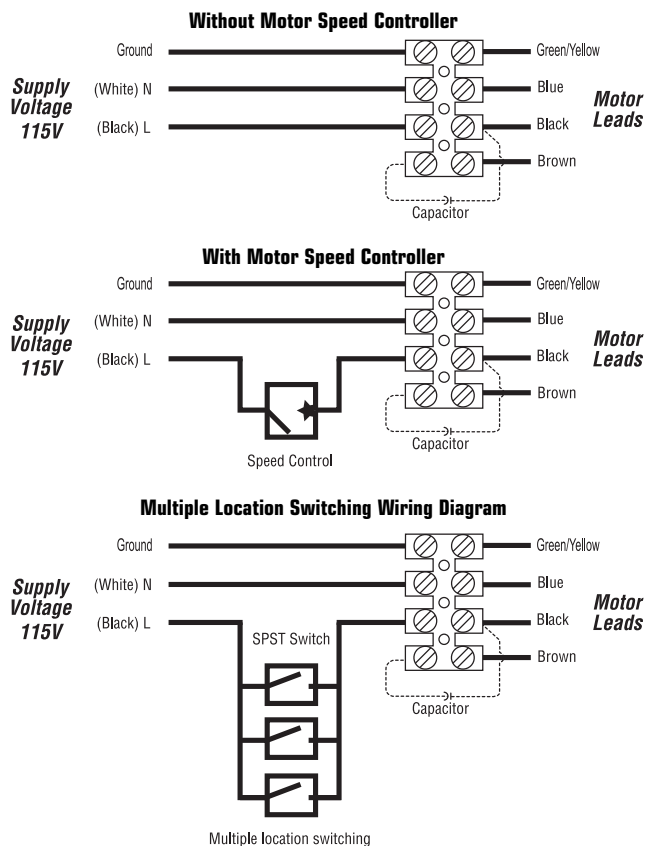
Fantech strongly recommends the use of flexible insulated duct where ducting passes through unconditioned space or where noise is a factor. **Check local code requirements before installing.** Failure to use insulated flexible duct could result in excessive condensation buildup within the duct, and undesirable sound levels within the room.

A minimum of 8' of insulated flexible duct is recommended between the fan and any inlet grille. Duct should be stretched as tight and straight as possible. Failure to do so could result in dramatic loss of system performance. Connect flex duct to the fan with plastic zip ties or duct tape. Connections should be airtight as possible for maximize performance.

Electrical Connection

- Remove the screws securing the terminal box cover located on the side of the fan. All fan motor connections are pre-wired to an electrical terminal strip. A 3/8" romex type cable restraint connector will be needed to secure the wiring through the knockout on the side of the terminal box.
- Bring incoming electrical service through the romex connector and the fan knockout. Be sure to place the connector nut over the wiring coming into the terminal box. There are three open ports on the terminal strip. Using a small regular screwdriver, tighten the neutral (white) wire of the incoming supply under the open terminal strip port labeled "N". Tighten the line (black) wire of the incoming supply under the open terminal strip port labeled "L". Tighten the ground (green) wire of the incoming supply under the open terminal strip port labeled with the Ground symbol. If the terminal strip is not labeled, follow the wiring diagram found on the inside of the electrical cover.
- Secure the romex connector. Secure the incoming supply with the romex connector. Replace the fan terminal box cover. All fan motor and capacitor connections have been pre-wired from the factory. No additional fan wiring is necessary.

Wiring Diagrams



Troubleshooting

If fan fails to operate, please check the following:

- Consult wiring diagrams (above) to ensure proper connection.
- Check motor lead wiring, capacitor leads and incoming supply leads to insure definite contact.
- If possible, use a meter to test for continuity across the fan motor leads. In order to do this, the capacitor must be disconnected (do not test the capacitor - it will not meter continuity). If motor leads show continuity, consult factory for a replacement capacitor.

Maintenance Instructions

Since fan bearings are sealed and provided with an internal lubricating material, no additional lubrication is necessary.

Installation of Ceiling Grille Housing With or Without Light

1. Plan Location of Inlet Grilles.

Based on the bathroom layout and fixtures, plan the location of the ceiling grilles for the most effective ventilation.

2. Securing the Housing to the Ceiling Joists.

NEW CONSTRUCTION

Mount housing directly to the ceiling joist using screws and keyhole slots. Locator tabs on housing should be flush with the bottom edge of the ceiling joist for correct positioning of the unit once drywall is installed. (Figure 1)

OR

Use the hanger bars to suspend the housing between ceiling joists. For correct positioning, hanger bars should be positioned $\frac{3}{8}$ " up from the bottom edge of the ceiling joist on models with 4" duct connection and $\frac{1}{2}$ " up from bottom edge of joist on models with 6" duct connection. On models with 4" duct, tighten anti-slide screws to keep hanger bars in place. (Figure 2).

Note: Hanger bars on units with 4" duct connection can be used on ceiling joists up to 24" on center. Hanger bars on units with 6" duct connection span ceiling joists up to 16" on center.

Note: If drywall or ceiling material is thicker than $\frac{5}{8}$ " the locator tabs may be removed to allow the grille collar to be flush with the finished ceiling material. When ceiling drywall is being installed, cut hole for ceiling grille.

EXISTING CONSTRUCTION OR WHEN DRYWALL IS IN PLACE.

Cut a 6" round hole for the ceiling grille only and install the housing from the attic. (Figure 3)

Place the housing against the ceiling joist using the locator tabs to determine the correct position (Figure 1) or align it using the hanger bars. (Figure 2).

Punch out the keyhole knockouts (if using) and the electrical knockout if needed.

To complete installation for Bath Fan models with lights, continue with steps 3 through 5. For models without lights, skip to steps 4 and 5.

3. Make Electrical Connections to the Ceiling Grille Housing.

Remove the electrical cover inside the steel housing using a screwdriver. Connect power by following wiring diagram (Figure 5) and following local or National Electrical Codes. Replace the electrical cover.

4. Connect the Fan to the Ceiling Grille Housing(s).

Install appropriate diameter duct from the fan to the ceiling grille housing. (Insulated flexible duct is recommended for all Fantech bathroom exhaust applications for quieter operation.) For dual grille models, install duct between fan and wye adapter* (included). Then, attach duct to each leg of the wye and to each ceiling grille housing. Secure duct in place and seal. If using insulated flexible duct, seal the inner liner to the duct connector then seal the outer shell over the top of the inner liner. Do not leave the insulation material exposed.

5. Installing the Bulb.

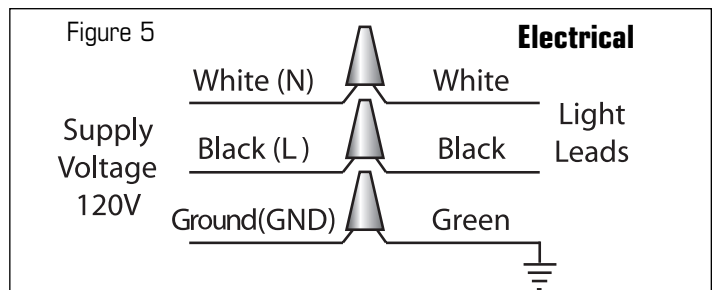
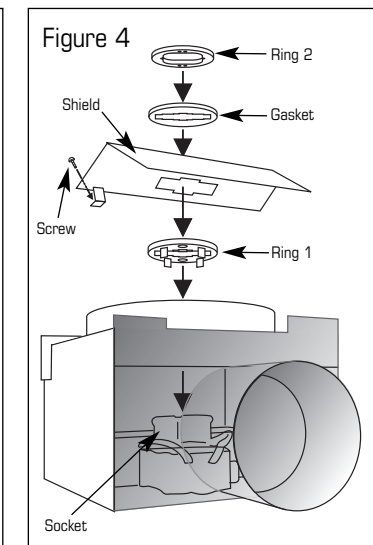
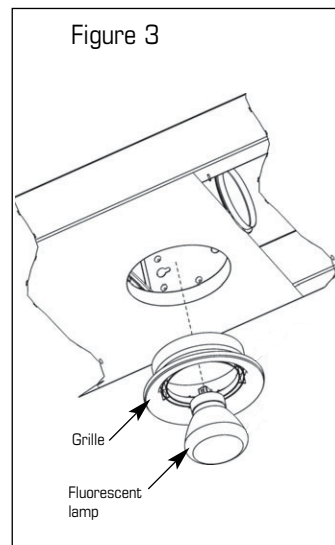
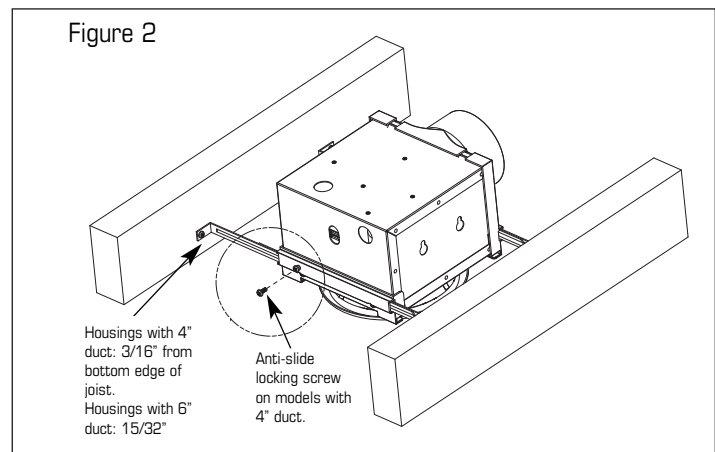
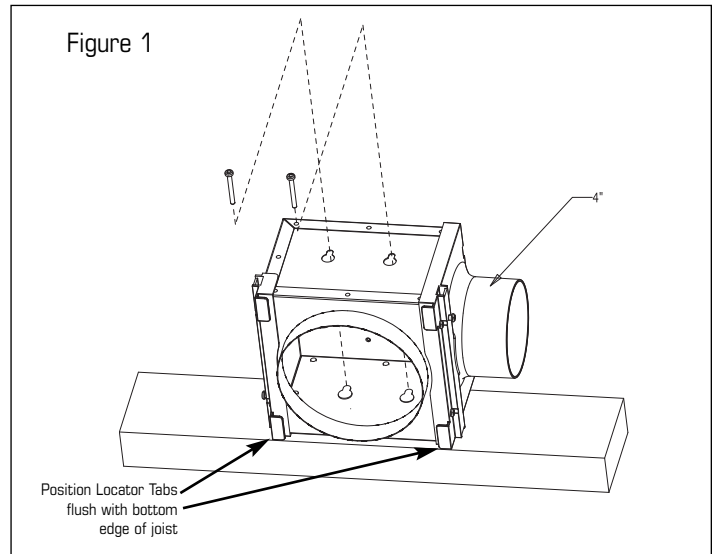
Install the bulb by gently inserting it into the socket in the grille housing. Install the grille by pushing it firmly into the steel collar until it is shouldered by the ceiling drywall (Figure 3).

ADDITIONAL STEPS REQUIRED WHEN INSTALLING A FLUORESCENT MODEL OVER A TUB OR SHOWER.
(Figure 4)

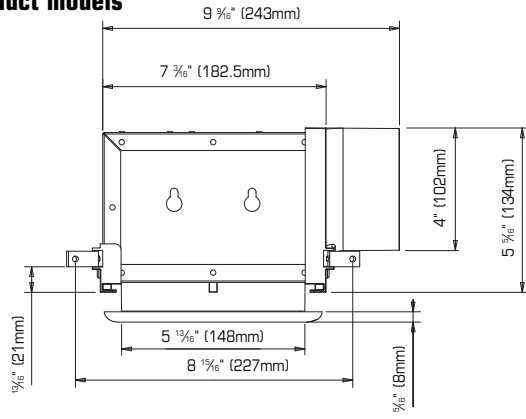
1. Place ring 1 on on socket legs first.
2. Screw metal shield in place over socket.
3. Add rubber gasket
4. Secure ring 2 to socket. Click indicates a secure installation.

Repeat steps 1 through 5 for each additional ceiling grille housing being installed.

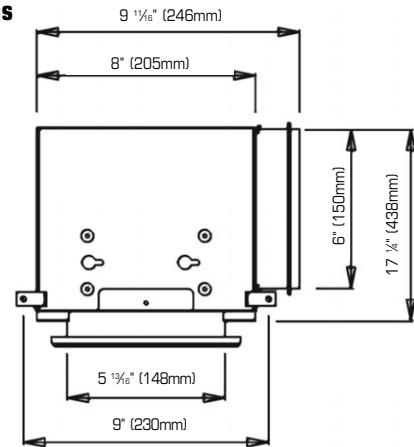
*For most efficient operation wye adapter should be positioned the equivalent of three duct diameters away from the fan inlet.



Housing Dimensions of 4" duct models



Housing Dimensions of 6" duct models



Seven (7) Year Warranty

DURING ENTIRE WARRANTY PERIOD:

FANTECH will repair or replace any part which has a factory defect in workmanship or material. Product may need to be returned to the Fantech factory, together with a copy of the bill of sale and identified with RMA number.

FOR FACTORY RETURN YOU MUST:

- Have a Return Materials Authorization (RMA) number. This may be obtained by calling FANTECH either in the USA at 1.800.747.1762 or in CANADA at 1.800.565.3548. Please have bill of sale available.
- The RMA number must be clearly written on the outside of the carton, or the carton will be refused.
- All parts and/or product will be repaired/replaced and shipped back to buyer; no credit will be issued.

OR

The Distributor may place an order for the warranty part and/or product and is invoiced. The Distributor will receive a credit equal to the invoice only after product is returned prepaid and verified to be defective.

FANTECH WARRANTY TERMS DO NOT PROVIDE FOR REPLACEMENT WITHOUT CHARGE PRIOR TO INSPECTION FOR A DEFECT. REPLACEMENTS ISSUED IN ADVANCE OF DEFECT INSPECTION ARE INVOICED, AND CREDIT IS PENDING INSPECTION OF RETURNED MATERIAL. DEFECTIVE MATERIAL RETURNED BY END USERS SHOULD NOT BE REPLACED BY THE DISTRIBUTOR WITHOUT CHARGE TO THE END USER, AS CREDIT TO DISTRIBUTOR'S ACCOUNT WILL BE PENDING INSPECTION AND VERIFICATION OF ACTUAL DEFECT BY FANTECH.

Limitation of Warranty and Liability

This warranty does not apply to any FANTECH INC. product or part which has failed as a result of faulty installation or abuse, incorrect electrical connections or alterations made by others, or use under abnormal operating conditions or misapplication of the product or parts. We will not approve for payment any repair not made by us or our authorized agent without prior written consent. The foregoing shall constitute our sole and exclusive warranty and our sole exclusive liability, and is in lieu of any other warranties, whether written, oral, implied or statutory. There are no warranties which extend beyond the description on the page hereof. In no event, whether as a result of breach of contract, or warranty or alleged negligence, defect incorrect advice or other causes, shall FANTECH be liable for special or consequential damages, including, but not limited to, loss of profits or revenue, loss of use of equipment or any other associated equipment, cost of capital, cost of substitute equipment, facilities or services, downtime costs, or claims of customers of purchase for such damages. FANTECH neither assumes or authorizes any person to assume for it any other liability in connection with the sale of product(s) or part(s). Some jurisdictions do not allow the exclusion or limitation of incidental or consequential damages so the above limitations and exclusions may not apply to you.

Warning

FANTECH, INC. products are designed and manufactured to provide reliable performance, but they are not guaranteed to be 100% free from defects. Even reliable products will experience occasional failures and this possibility should be recognized by the user. If these products are used in a life support ventilation system where failure could result in loss or injury, the user should provide adequate backup ventilation, supplementary natural ventilation, failure alarm system, or acknowledge willingness to accept the risk of such loss or injury.

THE FOLLOWING WARRANTIES DO NOT APPLY:

- Damages from shipping, either concealed or visible. Claim must be filed with freight company.
- Damages resulting from improper wiring or installation.
- Damages or failure caused by acts of God, or resulting from improper consumer procedures, such as:
 1. Improper maintenance
 2. Misuse, abuse, abnormal use, or accident, and
 3. Incorrect electrical voltage or current.
- Removal or any alteration made on the FANTECH label control number or date of manufacture.
- Any other warranty, expressed, implied or written, and to any consequential or incidental damages, loss or property, revenues, or profit, or costs of removal, installation or reinstallation, for any breach of warranty.

WARRANTY VALIDATION

- The user must keep a copy of the bill of sale to verify purchase date.
- These warranties give you specific legal rights, and are subject to an applicable consumer protection legislation. You may have additional rights which vary from state to state.

United States

10048 Industrial Blvd.,
Lenexa, KS 66215
Phone: 800.747.1762; 913.752.6000
Fax: 800.487.9915; 913.752.6466
www.fantech.net; info@fantech.net

Canada

50 Kanalfakt Way,
Bouchouche, NB E4S 3M5
Phone: 800.565.3548; 506.743.9500
Fax: 877.747.8116; 506.743.9600
www.fantech.ca; info@fantech.ca

Fantech, reserves the right to modify, at any time and without notice, any or all of its products' features, designs, components and specifications to maintain their technological leadership position.

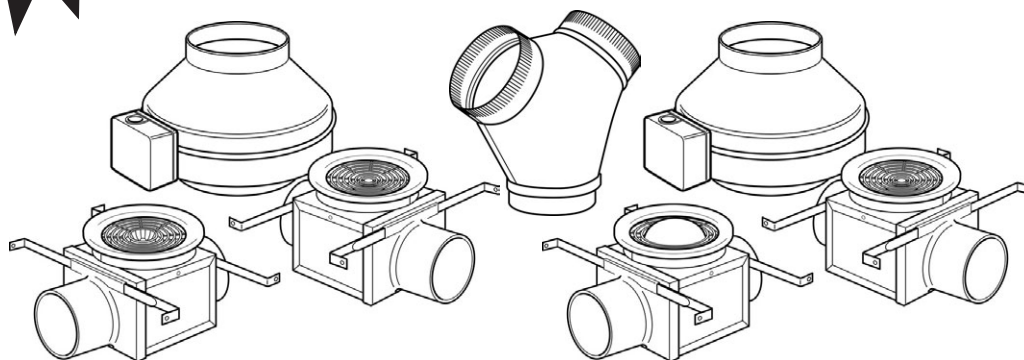
Item #: 412889
Rev Date: 0810



Série PB VENTILATEURS POUR SALLE DE BAINS PREMIUM

Grille simple
Conduit de 4 po
PB110
PB110F
PB110H

Grille simple et double Conduit de 6 po
PB190 **PB270FV-2**
PB270-2 **PB270HV-2**
PB270F-2 **PB370-2**
PB270H-2



IMPORTANT : VEUILLEZ LIRE CE MANUEL AVANT L'INSTALLATION

AVERTISSEMENTS : NE PAS BRANCHER LE COURANT ÉLECTRIQUE avant que l'appareil soit complètement installé.
Assurez-vous que le courant électrique au ventilateur et lumière soit débranché « OFF ».

AVERTISSEMENT! POUR RÉDUIRE LE RISQUE D'INCENDIE, L'ÉLECTROCUTION OU LES BLESSURES CORPORELLES – SUIVEZ LES INSTRUCTIONS SUIVANTES :

- Utilisez cet appareil conformément aux spécifications du fabricant. Si vous avez des questions, contactez votre représentant.
- ATTENTION :** Avant d'installer, d'entretenir ou de nettoyer l'appareil, coupez le courant au panneau électrique et verrouillez le service électrique afin de prévenir que le courant soit branché accidentellement. S'il est impossible de verrouiller le courant électrique, attachez un mécanisme d'avertissement au panneau électrique de façon visible. (Tel qu'un tag)
- Les travaux d'installation et le raccordement électrique doivent être effectués par une personne qualifiée, conformément aux codes et normes de construction. Cet appareil n'est pas conçu pour être exposé à de hautes températures.
- Lorsque vous coupez ou percez un mur ou un plafond, assurez-vous de ne pas endommager les fils électriques ou toute autre installation.
- NE JAMAIS** placer un interrupteur pouvant être atteint de la baignoire ou de la douche.
- Si l'appareil est installé au-dessus d'une baignoire ou d'une douche, il doit être branché dans une prise avec une mise à terre GFCI.
- Le flux d'air à combustion requis pour l'opération sécuritaire de l'équipement à carburant peut être affecté par l'opération de cet appareil. Suivez les directives de l'équipement de chauffage du fabricant et les normes de sécurité dont celles publiées par le « National Fire Protection Association (NFPA) », le « American Society of Heating, Refrigeration, and Air Conditioning Engineers (ASHRAE) » ainsi que les codes de votre région.
- Les ventilateurs à évacuation doivent toujours évacuer à l'extérieur de votre maison.

ATTENTION : Pour usage de ventilation résidentielle seulement. Ne pas utiliser pour évacuer des matériaux et vapeurs dangereux ou explosifs.

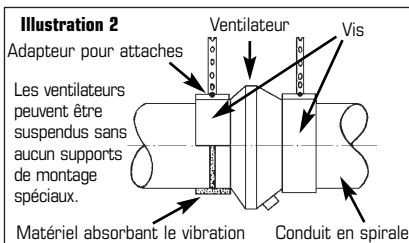
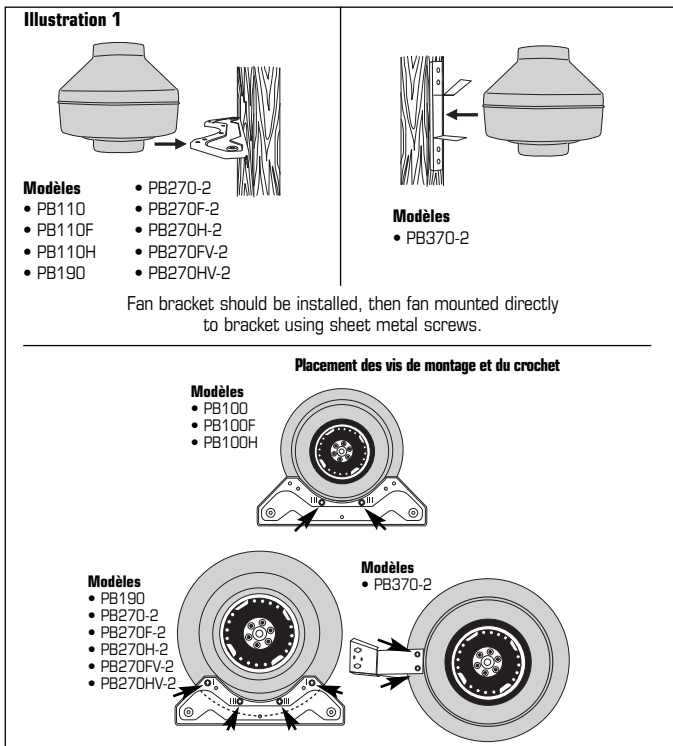
ATTENTION : LES AMPOULES UTILISÉES DANS LES MODÈLES FLUORESCENTS NE SONT PAS RÉGLABLES.

ATTENTION : UTILISEZ SEULEMENT LES AMPOULES « TCP XR3014 B » POUR LES MODÈLES FLUORESCENTS ET LES AMPOULES « PAR 16 » POUR LES MODÈLES HALOGÈNES.

Installation du ventilateur au support de montage

- Avant de choisir l'emplacement de votre ventilateur, prenez en considération :
 - Plus loin vous installerez le ventilateur du point d'entrée, moins vous entendrez du bruit de la pièce que vous ventilez.
 - Assurez-vous que le ventilateur soit accessible.
- Attachez le support à une poutre du support à l'emplacement choisi à l'aide des vis fournies. Le support vertical est recommandé pour réduire la formation de condensation dans le ventilateur. Pour une installation horizontale, enroulez alors l'isolation autour du ventilateur ou faites un trou de ¼ po dans le bas de la boîte (avec une insertion de NPT et une tuyauterie de vidange) permet à la condensation de s'écouler.
- Pour les ventilateurs de la série PB on utilise un support pour installer le ventilateur, se référer à l'illustration 1. Si le ventilateur va être suspendu au moyen de courroies, voir l'illustration 2.
- Branchez les tuyaux d'entrée et de sortie à l'aide de colliers de serrage en plastique ou de ruban adhésif en toile (non inclus). Lorsque vous utilisez des conduits flexibles isolants, la paroi intérieure en vinyle devrait être fixée à l'aide d'un collier de serrage ou de ruban adhésif en toile sur la prise d'entrée et de sortie et la barrière de vapeur entourant l'isolation devrait être fixée au boîtier à l'aide de ruban adhésif en toile. **Fantech recommande le conduit flexible isolant pour toutes les applications d'évacuation pour salles de bains.**

NOTE : Les étapes 2 et 3 peuvent être inversées.



Conseils pour l'installation de tuyaux flexibles

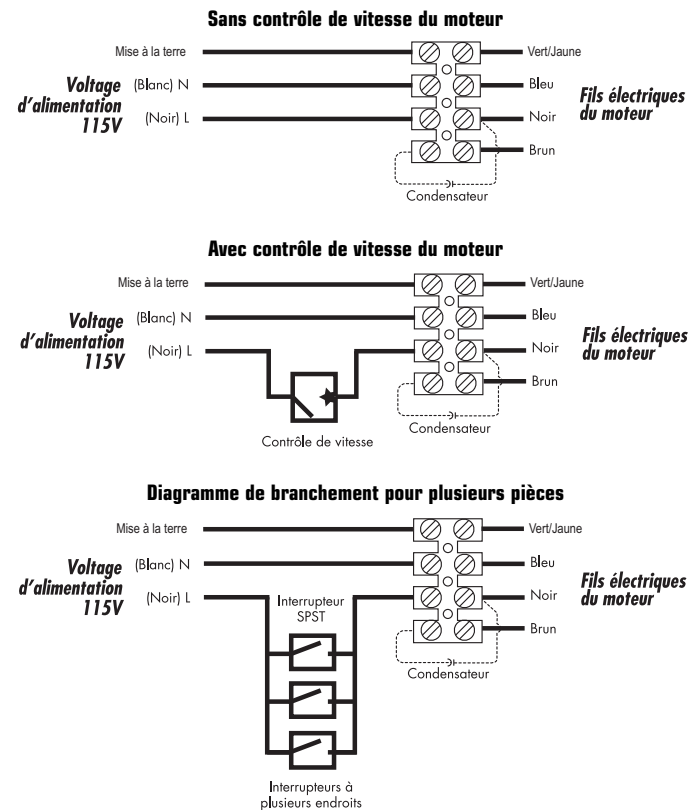
Fantech recommande fortement l'utilisation de tuyaux flexibles isolants dans les pièces à ventilation non contrôlée, ou pour minimiser le bruit. **Consultez les codes de votre région avant l'installation.** Faute d'utiliser les conduits flexibles isolants pourrait causer une accumulation excessive de condensation dans le conduit et un niveau de bruit nuisible dans la pièce.

Un minimum de 8 pieds de tuyau flexible isolant est recommandé entre la grille et le ventilateur. Il devrait être étiré à son maximum et être aussi droit que possible, sans quoi la performance en serait grandement diminuée. Fixez le tuyau flexible au ventilateur avec un collier de serrage ou un ruban adhésif en toile. Le branchement doit être le plus étanche que possible afin de maximiser le rendement du système.

Branchement électrique

- Retirez les vis fixant le couvercle de la boîte de câblage sur le côté du ventilateur. Tous les fils du moteur du ventilateur sont préalablement câblés à une bande de branchement électrique. Un connecteur câble encastré de type « Romex » 15,8 mm sera nécessaire afin de fixer le fil d'alimentation à la boîte de câblage.
- Passez les fils d'alimentation à travers le connecteur de câble encastré. Assurez-vous de placer l'écrou du connecteur au-dessus des fils entrant dans la boîte de câblage. Il y a trois emplacements libres sur la bande de branchement. À l'aide d'un tournevis régulier, serrez le fil d'alimentation blanc sous la vis indiquée « N ». Serrez le fil d'alimentation noir sous la vis indiquée « L ». Fixer le câble de mise à la terre (vert) provenant de l'alimentation d'entrée à la borne étiquetée avec le symbole de mise à la terre. Si le bloc de connexion n'est pas étiqueté, suivez le schéma de câblage qui se situe à l'intérieur du couvercle électrique.
- Fixez le connecteur « Romex ». Fixez l'entrée de l'alimentation avec le connecteur « Romex ». Remplacez le couvercle de la boîte de câblage. Tous les fils du moteur ayant été préalablement câblés à l'usine, aucun autre raccordement est nécessaire.

Diagramme de branchement



Dépannage

Si le ventilateur ne fonctionne pas, vérifiez ce qui suit :

- Consultez les diagrammes de câblage (voir ci-dessous) pour vous assurer que la connexion est appropriée.
- Contrôlez le fil de sortie du moteur, les fils de sortie du condensateur et l'alimentation électrique pour vous assurer d'un bon contact.
- Si possible, utilisez un appareil de mesure pour déterminer la continuité à travers les fils de sortie du moteur du ventilateur. Pour faire ceci, le condensateur doit être débranché (ne pas tester le condensateur - il ne montrera pas la continuité). Si les fils de sortie du moteur montrent la continuité, consultez l'usine pour un condensateur de rechange.

Instructions pour l'entretien

Puisque les roulements du ventilateur sont scellés et équipés d'un matériel lubrifiant interne, aucune lubrification supplémentaire n'est nécessaire.

Installation du boîtier avec ou sans éclairage

1. Planifiez l'endroit pour la grille

D'après votre salle de bain et ses installations, planifiez l'endroit où vous installerez vos grilles de plafond pour une ventilation efficace.

2. Fixez le boîtier à la poutrelle du plafond.

NOUVELLE CONSTRUCTION

Fixez le boîtier directement sur la poutre du plafond avec les vis. Les languettes sur le boîtier devraient être au même niveau que le côté inférieur de la poutrelle du plafond (Figure 1).

OU

Utilisez les barres de suspension pour fixer le boîtier à la poutrelle du plafond. Pour être exacte, les barres de suspensions doivent être à $\frac{3}{16}$ po au-dessus du côté inférieur de la poutrelle du plafond pour les modèles à collets de 4 po et $\frac{15}{32}$ po pour les modèles de 6 po. Sur les modèles à conduits de 4 po serrez les vis anti-dérappantes pour sécuriser les barres de suspension en place (Figure 2).

Note : Les barres de suspension des appareils à collets de 4 po peuvent être utilisées sur les poutrelles de plafond jusqu'à 24 po du centre. Les barres de suspension pour les appareils à conduits de 6 po peuvent aller jusqu'à 16 po du centre.

Note : Si le gypse ou le matériel de plafond est plus épais que $\frac{3}{8}$ po, les languettes de position peuvent être enlevées pour permettre au collier de la grille d'être au même niveau que le plafond fini. Lorsque le gypse est posée au plafond, pratiquez une ouverture pour accommoder la grille. Dégagez l'ouverture pour les fils d'alimentation de la boîte de câblage.

CONSTRUCTION EXISTANTE OU GYPSE EN PLACE.

Percez un trou de 6 po pour la grille de plafond seulement et installer le boîtier dans le grenier. Placez le boîtier sur la poutrelle de plafond en utilisant les locator tabs pour déterminer l'emplacement exacte (Figure 1) ou enligner en utilisant les barres de suspension (Figure 2). Percez un trou si nécessaire.

Pour compléter l'installation des ventilateurs pour salle de bains avec éclairage, suivez les étapes 3 à 5. Pour les modèles sans éclairage, passez directement aux étapes 4 et 5.

3. Faites la connexion électrique au boîtier de la grille au plafond. En utilisant un tournevis, enlevez le couvercle électrique à l'intérieur du boîtier en métal. Connectez le courant en suivant le diagramme de branchement (Figure 5) et en suivant les codes électriques locaux ou les codes électriques nationaux. Remettez le couvercle électrique.

4. Raccordement du ventilateur du boîtier. Installez le conduit de 4 po ou de 6 po du ventilateur au boîtier de la grille au plafond. (Les conduits flexibles isolants recommandés par Fantech pour toutes applications d'évacuation pour salle de bains vous donneront un rendement plus silencieux). Pour les modèles à grilles jumelles, montez les conduits entre le ventilateur et l'adaptateur « wye » (inclus), puis reliez les conduits à chaque sortie du « wye » et à chaque boîtier des grilles. Attachez les conduits en place, puis scellez. Si vous utilisez un tuyau flexible isolant, scellez la couche intérieure au connecteur de conduit puis scellez la couche extérieure couvrant la couche intérieure. Ne laissez pas le matériel isolant exposé.

5. Installation de l'ampoule. Procédez en insérant doucement l'ampoule dans la douille située dans le boîtier de la grille. Posez la grille en la poussant fermement le collier jusqu'à ce que la grille soit en contact ferme avec le plafond. (Figure 3).

Étapes additionnelles lors de l'installation d'un modèle fluorescent au-dessus d'une baignoire ou d'une douche. (Figure 4)

(Figure 4)

1. Placer l'anneau « 1 » sur la douille, en commençant par les pattes.
2. Visser le panneau en métal sur la douille.
3. Ajouter le joint en caoutchouc.
4. Bien attacher l'anneau « 2 » sur la douille. Le clic indique une installation sécurisée.

Répétez les étapes 1 à 6 pour chaque boîtier de grille pour plafond additionnel à installer.

*Pour un fonctionnement plus efficace, l'adaptateur « wye » devrait être positionné à une distance égale à trois fois le diamètre du conduit de l'entrée du ventilateur.

Figure 1

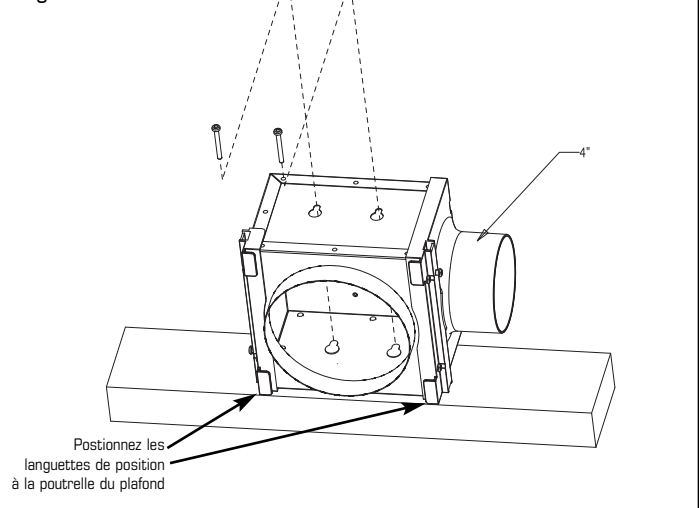


Figure 2

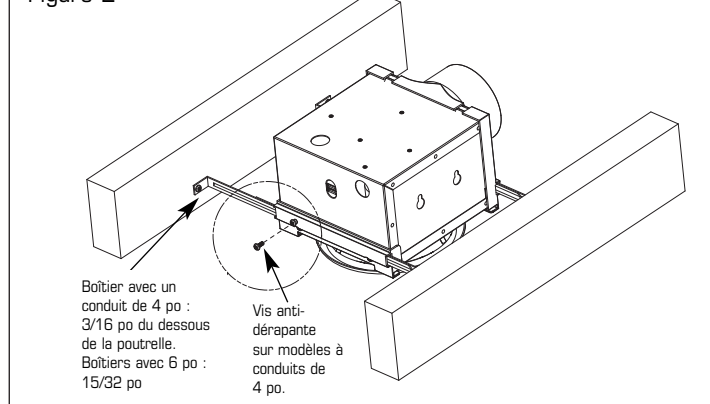


Figure 3

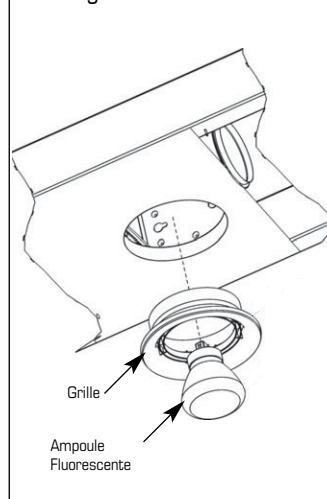


Figure 4

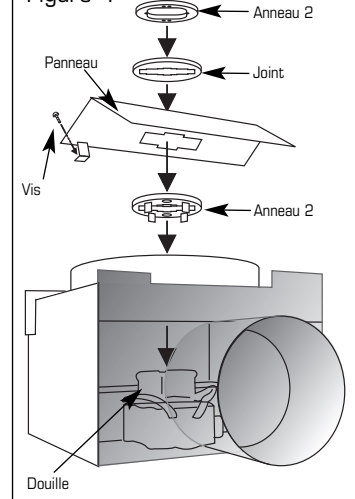
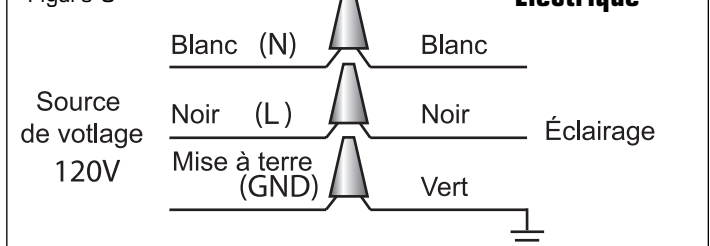
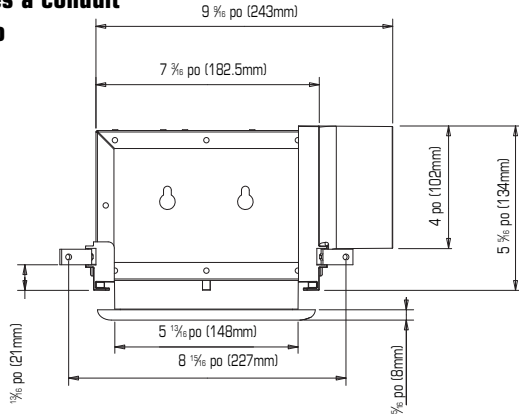


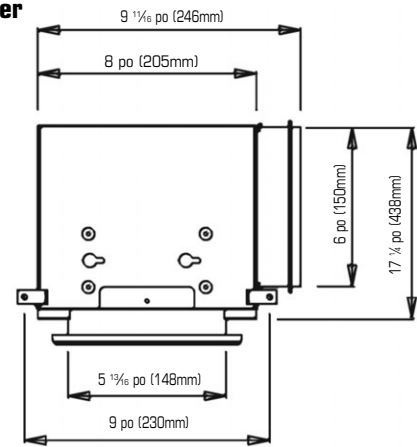
Figure 5



Dimension du boîtier des modèles à conduit de 4 po



Dimension du boîtier des modèles à conduit de 6 po



Garantie de sept (7) ans

PENDANT LA PÉRIODE DE LA GARANTIE :

FANTECH réparera ou remplacera toute composante ayant un défaut manufacturier. Il est possible qu'il vous sera demandé de retourner le produit au manufacturier avec une copie du bon d'achat identifié par le numéro RMA.

POUR UN ENVOI À L'USINE :

- Avoir obtenu un numéro d'autorisation de renvoi des produits (Return Materials Authorization "RMA"). Ce numéro peut être obtenu en appelant FANTECH, INC. au 1-800-747-1762. Ayez votre facture en main lors de votre appel.
- Avoir le numéro RMA clairement indiqué sur l'extérieur de l'emballage de renvoi pour éviter le refus de la livraison du colis.
- Les produits seront remplacés ou réparés, puis renvoyés à l'acheteur. Vous ne serez pas remboursé.

OU

Le distributeur peut commander une pièce ou un appareil sous garanti mais il sera facturé. Le distributeur recevra un crédit égal à la facture seulement après le retour du produit prépayé et confirmé défectueux.

LES TERMES DE GARANTI FANTECH OFFRENT UN REMPLACEMENT SI L'INSPECTION PROUVE UN DÉFAUT MANUFACTURIER. LES PIÈCES REMPLACÉES AVANT L'INSPECTION SERONT FACTURÉES ET UN CRÉDIT SERA VERSÉ APRÈS L'INSPECTION. LES PIÈCES DÉFECTUEUSES RETOURNÉES PAR L'UTILISATEUR NE DEVRAIENT PAS ÊTRE REMPLACÉES PAR LE DISTRIBUTEUR GRATUITEMENT PUISQUE LE COMPTE DU DISTRIBUTEUR NE SERA CRÉDITÉ QU'APRÈS LA VÉRIFICATION ET L'APPROBATION DE FANTECH.

LES CAS SUIVANTS NE S'APPLIQUENT PAS À LA GARANTIE :

- Endommagements causés lors du transport, cachés ou visibles. Les demandes de garantie doivent être remplies auprès du transporteur.
- Endommagements causés par un mauvais raccordement électrique ou une mauvaise installation.
- Dommages ou défaillances causés par calamités naturelles, ou résultant d'une manipulation inadéquate de la part du consommateur, tel que :
 1. Mauvais entretien
 2. Mauvaise utilisation, abus d'utilisation, ou accident
 3. Application d'une mauvaise tension ou d'un mauvais courant électrique.
- Enlèvement du numéro de contrôle de l'étiquette FANTECH ou de la date de fabrication, ou modification de ces derniers.
- Toute autre garantie exprimée, suggérée ou écrite ou tout dommage, incident ou conséquent, perte de biens, revenus ou bénéfices ou coûts de démontage, installation, remontage ou pour tout bris de garantie.

VALIDATION DE LA GARANTIE :

L'utilisateur doit garder une copie de la facture pour la vérification de la date d'achat.

- Ces garanties vous donnent des droits spécifiques dont la Loi sur la protection du consommateur. Vous pouvez avoir des droits additionnels propres à votre région.

Limitation de la garantie et responsabilité

Cette garantie ne s'applique à aucun produit ou pièce FANTECH INC. qui aurait échoué en raison d'une mauvaise installation ou abus, un mauvais raccordement électrique ou toute altération ou usage sous condition d'opérations normales ou utilisation non conforme du produit ou des pièces. Aucun remboursement ne sera fait pour toutes réparations effectuées par autre que nous ou notre agent autorisé sans avoir été préalablement autorisé par écrit. Ci-dessus constituera notre garantie unique et exclusive, et notre seule et unique obligation, rejetant toutes autres garanties écrites orales implicites ou statutaires. En aucun cas, que ce soit en raison de bris de contrat ou de garantie ou négligence alléguée recommandations erronées autres causes, Fantech sera responsable pour dommages spéciaux ou conséquents, incluant, mais non limité à, perte de profit ou revenus, la perte d'utilisation d'équipement ou tout équipement relié, perte de valeur, coût de remplacement d'équipement, facilités ou services, perte de temps ou réclamations d'achat du client pour tels dommages. FANTECH INC. n'assume ni autorise aucune personne à assumer pour elle aucune autre responsabilité en rapport avec la vente de produit(s) ou pièce(s). Certaines juridictions ne permettent pas d'exclure ou de limiter des dommages incidents ou indirects, de sorte que les limites ou exclusions ci-dessus peuvent ne pas s'appliquer dans votre juridiction.

Avertissement

Les produits FANTECH INC. sont conçus et fabriqués pour fournir une performance fiable, mais ne sont pas garantis à 100% à l'épreuve de défauts. Même les produits fiables sont parfois susceptibles d'éprouver des vices occasionnels et le consommateur devrait en être conscient. Si ces produits sont utilisés dans un système de ventilation pour soutien de la vie où l'échec pourrait avoir comme conséquence la perte la vie ou dommages, l'utilisateur devrait pouvoir procurer un système de remplacement adéquat, ventilation naturelle supplémentaire, système d'alarme anti-défaillant, ou être prêt à envisager et accepter les risques de blessures ou de pertes possibles.

United States
 10048 Industrial Blvd.,
 Lenexa, KS 66215
 Phone: 800.747.1762; 913.752.6000
 Fax: 800.487.9915; 913.752.6466
 www.fantech.net; info@fantech.net

Canada
 50, route Kanalfakt
 Bouctouche, NB E4S 3M5
 Téléphone : 800.565.3548; 506.743.9500
 Téléc : 877.747.8116; 506.743.9600
 www.fantech.ca; info@fantech.ca

Fantech se réserve le droit de modifier partiellement ou entièrement, en tout temps et sans préavis, les caractéristiques, la conception, les composants et les spécifications de ses produits afin de conserver sa position de leader en matière de technologie.

Numéro d'article : 412889
 Date de révision : 0810



Fantech

**GARANTÍA
DE 7 AÑOS**

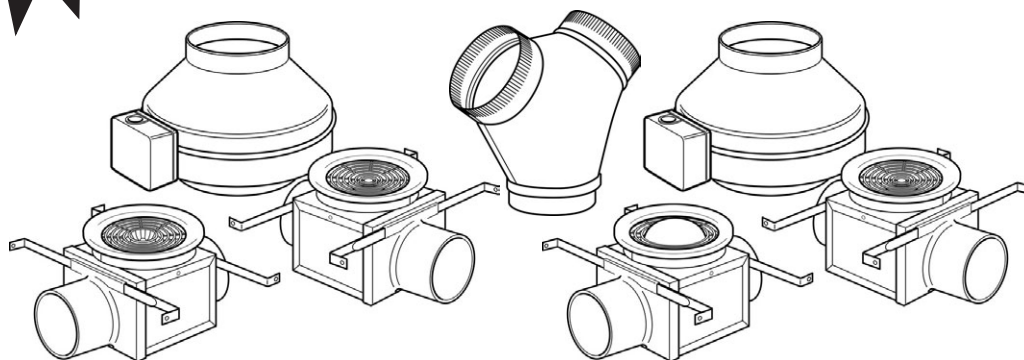
Serie PB VENTILADORES PARA BAÑO PREMIUM

Unidades de Reja
Solas 4" Conducto

PB110
PB110F
PB110H

Unidades de Reja Solas y Duales 6" Conducto

PB190	PB270FV-2
PB270-2	PB270HV-2
PB270F-2	PB370-2
PB270H-2	



IMPORTANTE: FAVOR DE LEER ESTE MANUAL ANTES DE INSTALAR LA UNIDAD

ADVERTENCIAS: *NO CONECTE LA ALIMENTACIÓN ELÉCTRICA hasta que la unidad quede totalmente instalada. Asegúrese de que el servicio eléctrico del ventilador y la luz esté bloqueado en posición de "OFF" (apagado).*

¡ADVERTENCIA! A FIN DE REDUCIR EL RIESGO DE INCENDIO, DESCARGA ELÉCTRICA, O LESIONES A PERSONAS – OBSERVE LO SIGUIENTE:

- Use esta unidad únicamente de la manera prevista por el fabricante. Si tiene alguna duda, comuníquese con el representante del fabricante.
- PRECAUCIÓN:** Antes de la instalación, mantenimiento o limpieza de la unidad, desconecte la electricidad en el panel de servicio y bloquee el medio de desconexión del servicio para impedir la conexión accidental de la corriente. Cuando no se pueda bloquear el medio de desconexión del servicio, sujete en el panel de servicio, y de manera segura, un dispositivo de advertencia a la vista de todos.
- El trabajo de instalación y el cableado eléctrico deben ser realizados por personal competente de conformidad con todos los códigos y normas pertinentes. Esta unidad es para uso exclusivo en instalaciones no clasificadas para incendios.
- Al hacer cortes o perforaciones en paredes o techos, no dañe los cables eléctricos ni otros dispositivos de servicios ocultos.
- NUNCA instale un interruptor donde pueda ser alcanzado desde una tina o ducha.
- Si esta unidad se instala sobre una tina o ducha, debe conectarse a un circuito de derivación protegido GFCI (interruptor accionado por corriente de pérdida a tierra).
- El caudal de aire de combustión necesario para el funcionamiento seguro de equipo de combustión podría ser afectado por el funcionamiento de esta unidad. Siga las directrices del fabricante del equipo de calefacción y las normas de seguridad como las que publica la National Fire Protection Association - NFPA (Asociación Nacional de Protección contra Incendios), la American Society of Heating, Refrigeration, and Air Conditioning Engineers – ASHRAE (Sociedad Estadounidense de Ingenieros de Calefacción, Refrigeración y Aire Acondicionado) y los códigos de las autoridades locales.
- La salida de los ventiladores de escape siempre debe estar orientada hacia el exterior.

PRECAUCIÓN: "Exclusivo para uso de ventilación general. No utilizar para el escape de materiales y vapores peligrosos o explosivos."

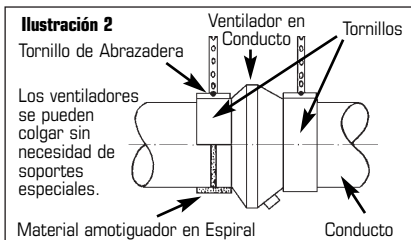
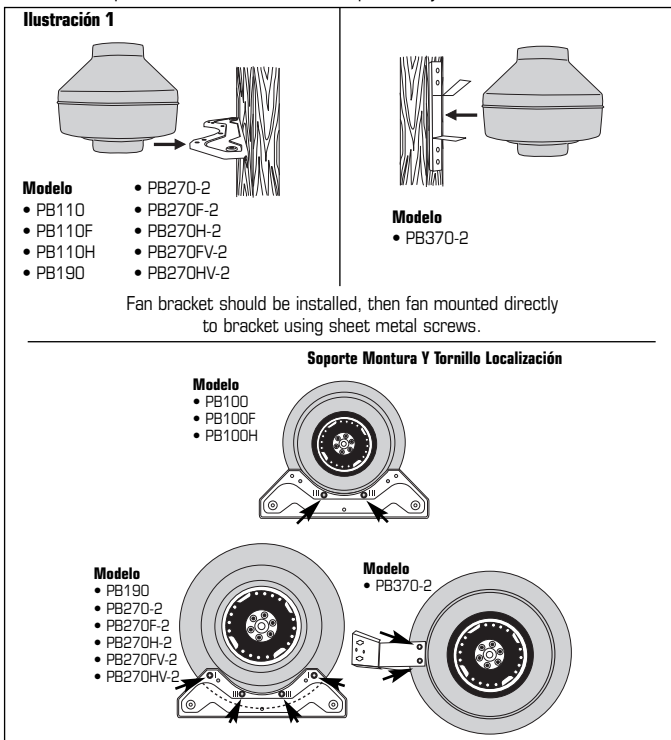
PRECAUCIÓN: LA BOMBILLA UTILIZADA EN LOS MODELOS FLUORESCENTES NO ES ATENUABLE

PRECAUCIÓN: UTILICE SOLAMENTE FOCOS FLUORESCENTES FANTECH (MODELO PBB14) Y FOCOS DE HALÓGENO PAR16/MR16 GU10 DE UN MÁXIMO DE 50 W (MODELO FANTECH PBB50).

Instalación del ventilador y el soporte

- Antes de elegir la posición para la instalación del ventilador, considere los puntos siguientes:
 - Instalar el ventilador lo más alejado posible al punto de admisión garantiza una operación silenciosa. Se recomienda un mínimo de ducto flexible aislado de 8' entre la rejilla de escape y el ventilador.
 - Coloque el ventilador en un lugar de fácil acceso para darle servicio.
- Fije el soporte de instalación a una vigueta de soporte con los tornillos para madera incluidos. Es posible instalar el ventilador en cualquier punto a lo largo del ducto y en cualquier ángulo. Se recomienda la instalación vertical para reducir la condensación en el ventilador. Para instalaciones horizontales, enrolle aislante alrededor del ventilador o perforo un agujero de 1/4" en la base de la caja. Agregue el inserto NPT y la manguera de drenaje (comprada por separado) para el drenaje de la condensación.
- Para los ventiladores Modelo FG, si han de montarse en un soporte, refiérase a la Ilustración 1. Si ha de colgarse un ventilador con tirantes, refiérase a la Ilustración 2.
- Conecte el conducto a la entrada y salida del ventilador con abrazaderas de plástico tipo CB (de terceros) o con cinta especial para conductos. Cuando se usen conductos flexibles con aislamiento, se recomienda que el núcleo de vinilo se sujete con abrazadera o cinta a la entrada y a la salida y que la barrera contra vapor que rodea el material aislante se fije con cinta para conductos a la caja del ventilador. **Fantech recomienda el uso de conductos flexibles y aislados para todas las aplicaciones de escape en el baño.**

NOTA: Se puede invertir el orden de los pasos 2 y 3.



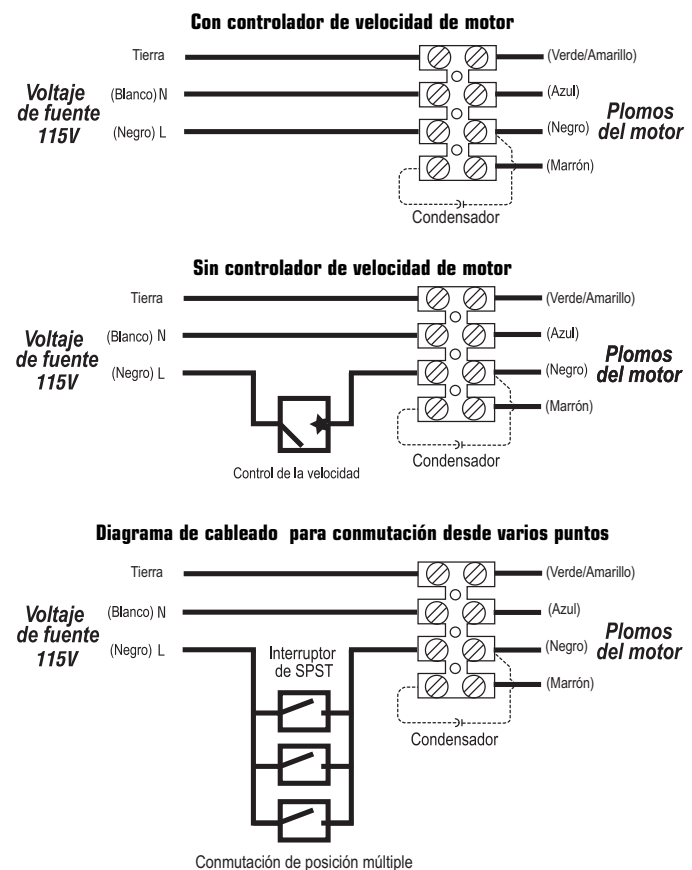
Sugerencias para la instalación del conducto flexible

Fantech recomienda firmemente el uso de ducto aislado flexible cuando los ductos atraviesan espacios no acondicionados o donde el ruido sea un factor a considerar. **Consulte los requerimientos del código local antes de la instalación.** Para lograr la instalación más silenciosa posible, Fantech recomienda un mínimo de 8 pies de conducto flexible aislado entre cualquier rejilla de admisión y el ventilador. Al montar un conducto de tipo flexible, el mismo se debe instalar lo más apretado y recto posible. De lo contrario, el sistema podría sufrir una importante pérdida de rendimiento. El conducto flexible se debe conectar al ventilador con abrazaderas de plástico tipo CB o con cinta para conductos. Todas las conexiones deben quedar lo más herméticas posible para lograr un máximo rendimiento.

Conexión eléctrica

- Quite los tornillos de montaje de la tapa de la caja de conexiones en el costado del ventilador. Todas las conexiones del motor del ventilador están precableadas a una regleta eléctrica. Se necesitará un conector de fijación de cables tipo romex de 3/8" para sujetar el cableado a través del agujero ciego provisto en el costado de la caja de conexiones.
- Pase la alimentación eléctrica a través del conector romex y el agujero ciego del ventilador. Tenga cuidado de colocar la tuerca del conector encima del cableado que entra a la caja de conexiones. En la regleta de conexiones hay tres lumbreras abiertas. Con un pequeño destornillador estándar, apriete el cable neutro (color blanco) de la alimentación eléctrica debajo de la lumbrera marcada "N" en la regleta. Apriete el hilo de línea (negro) de la alimentación eléctrica debajo de la lumbrera marcada "L". Fije el alambre (verde) de tierra de la fuente de alimentación al conector en el espacio marcado con el símbolo de tierra. Si el conector no está marcado, siga el diagrama eléctrico que se encuentra al reverso de la tapa eléctrica.
- Asegure el conector romex. Asegure la alimentación entrante con el conector romex. Vuelva a colocar la tapa de la caja de conexiones del ventilador. Todas las conexiones del motor del ventilador y del capacitor vienen precableadas de fábrica. No hace falta ningún cableado adicional para el ventilador.

Diagramas de cableado



Análisis de fallas

Si el ventilador deja de funcionar, revise lo siguiente:

- Consulte los diagramas eléctricos (a la derecha) para asegurar que las conexiones se hagan correctamente.
- Revise el cableado del motor, del capacitor y de la alimentación eléctrica para asegurar el debido contacto.
- Si es posible, use un comprobador para verificar la continuidad entre los hilos del motor del ventilador. Para ello, se debe desconectar el capacitor. (No pruebe el capacitor, ya que no tiene continuidad.) Si los hilos del motor muestran continuidad, solicite a la fábrica un capacitor de repuesto.

Instrucciones de mantenimiento

Puesto que los rodamientos del ventilador están sellados y provistos de lubricante interno, no es necesario aplicarles lubricante adicional.

Instalación de la caja de rejilla de techo con o sin luz

1. Planee la ubicación de las rejillas de admisión.

Con base en el diseño y el mobiliario del baño, planee la ubicación de las rejillas del techo para obtener la ventilación más efectiva.

2. Fije la caja a las viguetas del techo.

CONSTRUCCIÓN NUEVA

Fije la caja directamente en la vigueta del techo con tornillos y las ranuras de alineación. Las pestañas de ubicación en la caja deben estar a nivel con el borde inferior de la vigueta del techo para la correcta ubicación de la unidad una vez instalada la tablarroca. (Figura 1)

0

Utilice las barras de soporte para sujetar la caja entre las viguetas del techo. Para su colocación correcta, las barras de soporte deben colocarse a $\frac{3}{16}$ " arriba del borde inferior de la vigueta del techo en los modelos con conexión de ducto de 4" y $\frac{1}{2}$ " arriba del borde inferior de la vigueta en los modelos con conexión de ducto de 6". En los modelos con ducto de 4", apriete los tornillos antideslizantes para mantener las barras de soporte en su sitio. (Figura 2).

Nota: Las barras de soporte en las unidades con conexión de ducto de 4" pueden emplearse en viguetas de techo de hasta 24" en el centro. Las barras de soporte en las unidades con conexión de ducto de 6" abarcan las viguetas del techo hasta una distancia de 16" desde el centro.

Nota: Si el grosor del panel de yeso o del material del techo es de más de $\frac{5}{8}$ " ahora puede retirar las pestañas guías. Durante la instalación de la tablarroca, corte un hueco para la rejilla del techo.

CONSTRUCCIÓN EXISTENTE O CUANDO LA TABLARROCA ESTÁ EN SU SITIO

Corte una orificio redondo de 6" sólo para la rejilla e instale la caja desde el altillo. (Figura 3)

Coloque la caja contra la vigueta del techo. Para completar la instalación en los modelos de ventilador para baño con luz, continúe con los pasos del 3 al 5. Para los modelos sin luces, vaya a los pasos 4 y 5.

Perfore los agujeros ciegos (si se van a usar) y el que corresponda al cable eléctrico si es necesario.

Siga con los pasos 3 a 5 para continuar con la instalación de los modelos de ventiladores para baño Premium con luces. De lo contrario, siga a los pasos 4 y 5 para completar la instalación de los modelos sin luces

3. Efectúe las conexiones eléctricas a la caja de la rejilla de techo.

Con un destornillador, retire la tapa eléctrica del interior del gabinete de acero. Conecte la alimentación conforme a los diagramas de cableado (Figura 5) y cumpliendo con los códigos locales o nacionales sobre instalaciones eléctricas. Vuelva a colocar la tapa eléctrica.

4. Conecte el ventilador a la caja de la rejilla de techo.

Instale el conducto de 4" o 6" desde el ventilador hasta la caja de la rejilla. El uso de conducto flexible con aislamiento (recomendado para todas las aplicaciones de ventilación de baños de Fantech) producirá un funcionamiento más silencioso. Sujete el conducto en su lugar y séllelo. Si se usa conducto flexible con aislamiento, selle el forro interior al conector del conducto, a continuación selle la carcasa exterior por sobre el forro interior. No deje al descubierto el material aislante.

5. Instalación de la bombilla. Instale la bombilla introduciéndola con cuidado en el portabombillas dentro del gabinete de acero. Para instalar la rejilla empújela firmemente hacia el collarín de acero hasta quedar a ras del panel de yeso del techo (Figura 3).

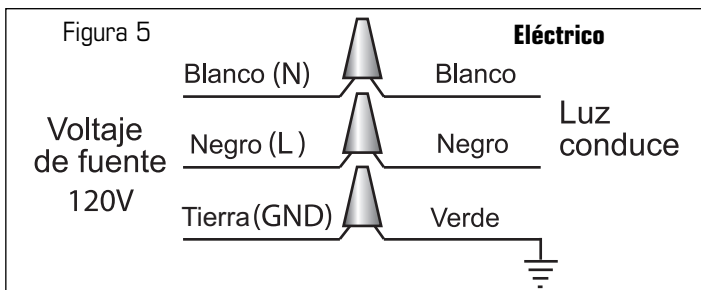
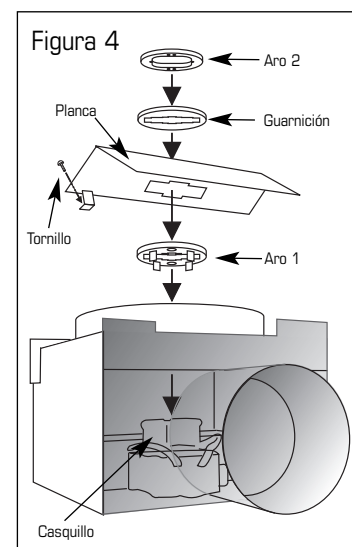
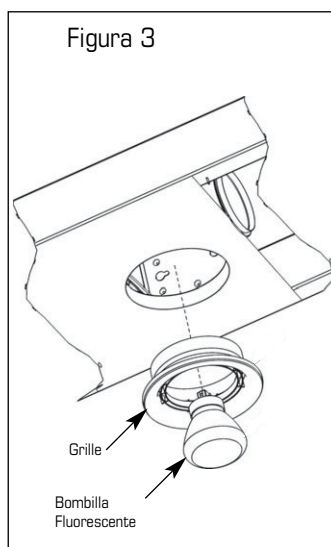
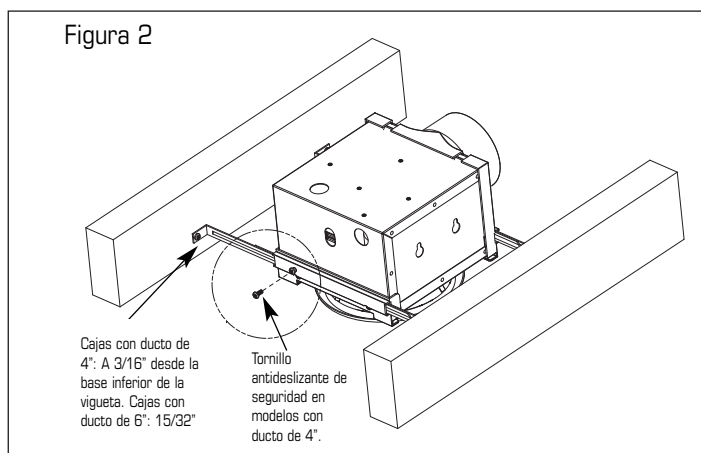
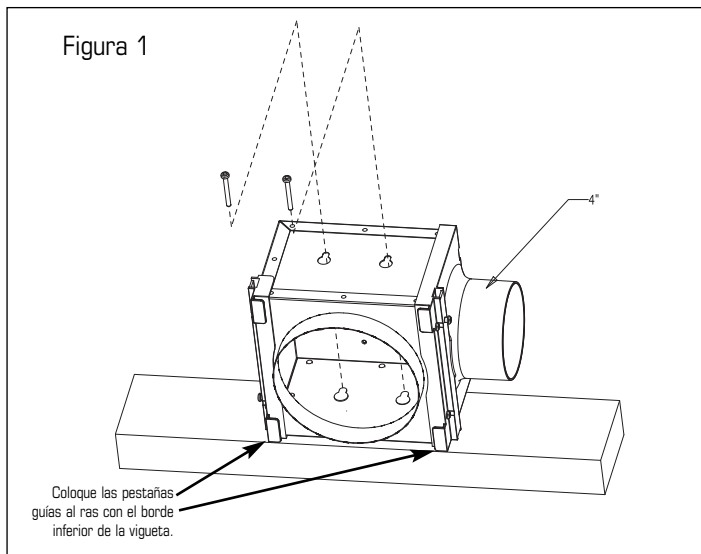
Pasos adicionales necesarios cuando se instala un modelo fluorescente encima de una bañera o ducha.

(Figura 4)

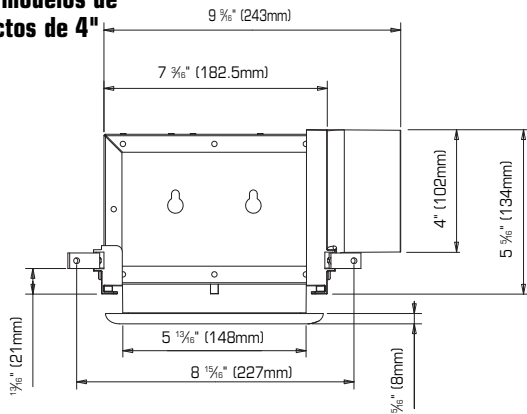
1. Coloque el aro 1 sobre el casquillo, con las patas primero.
2. Atornille la placa protectora de metal sobre el casquillo.
3. Instale la guarnición de goma.
4. Fije el aro 2 en el casquillo. El chasquido indica la instalación segura.

Repita los pasos del 1 al 5 para cada caja de rejilla de techo que se instale.

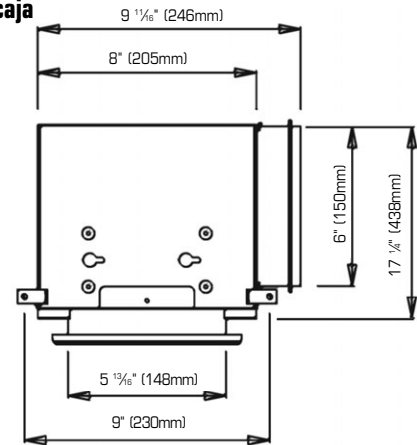
* Para obtener una operación más eficiente el adaptador en "Y" debe colocarse a una distancia equivalente a tres diámetros del ducto del ventilador de admisión.



Dimensiones de la caja de los modelos de conductos de 4"



Dimensiones de la caja de los modelos de conductos de 6"



Garantía de siete (7) años

DURANTE TODO EL PERÍODO DE GARANTÍA:

FANTECH reparará o reemplazará cualquier pieza que presente defectos de fábrica, ya sea de manufactura o del material. Puede que sea necesario devolver el producto a la fábrica de Fantech, junto con una copia de la factura de compra e identificado con el número de RMA (autorización de devolución de mercancía)

PARA DEVOLUCIONES A LA FÁBRICA USTED NECESITA:

- El número de la Autorización de Devolución de Mercancía (RMA). Para obtener el número deberá llamar a FANTECH, ya sea en los EE. UU. al teléfono 1.800.747.1762 o en CANADÁ al teléfono 1.800.565.3548. Tenga a mano la factura de venta.
- El número de RMA debe indicarse claramente en el exterior de la caja, o ésta no se aceptará.
- Todas las piezas y/o productos se repararán/reemplazarán y se devolverán al comprador. No se emiten saldos a favor.

O

El Distribuidor puede hacer un pedido para la pieza y/o el producto con garantía y se le expide la factura correspondiente. El Distribuidor recibirá un saldo acreedor equivalente a la factura únicamente después de devolver el producto prepagado y que se haya verificado que está defectuoso.

LAS CONDICIONES DE GARANTÍA DE FANTECH NO PREVEN EL REEMPLAZO SIN COBRO ANTES DE LA INSPECCIÓN PARA COMPROBAR EL DEFECTO. LOS REEMPLAZOS QUE SE ENVÍEN ANTES DE LA INSPECCIÓN DE DEFECTOS VAN ACOMPAÑADOS DE LA FACTURA Y EL CRÉDITO QUEDA PENDIENTE DE LA INSPECCIÓN DEL MATERIAL DEVUELTO. EL DISTRIBUIDOR NO DEBE REEMPLAZAR EL MATERIAL DEVUELTO POR LOS USUARIOS FINALES SIN EL PAGO CORRESPONDIENTE POR PARTE DE ESTOS YA QUE EL CRÉDITO DE LA CUENTA DEL DISTRIBUIDOR QUEDA EN ESPERA DE LA INSPECCIÓN Y VERIFICACIÓN DEL EFECTO QUE REALICE FANTECH.

Limitación de la garantía y de la responsabilidad

Esta garantía no se aplica a ningún producto, o pieza de un producto de FANTECH INC., que haya fallado como consecuencia de una instalación defectuosa o por mal uso, conexiones eléctricas incorrectas o alteraciones realizadas por terceros, o por usarse en condiciones de funcionamiento anormales, o en aplicaciones indebidas. No aprobaremos el pago de ninguna reparación que no hayamos efectuado nosotros o nuestros agentes autorizados sin consentimiento previo y por escrito. Lo anterior constituirá nuestra única y exclusiva garantía y nuestra única y exclusiva responsabilidad, y se efectúa en lugar de cualquier otra garantía, ya sea escritas, verbales, implícitas o establecidas por ley. No existen garantías que sobrepasen la descripción en esta página. Bajo ninguna circunstancia se responsabilizará a FANTECH por daños especiales o correlativos, ya sea como resultado de incumplimiento de contrato o de garantía, o supuesta negligencia, defecto, consejo incorrecto u otras causas, incluyendo los siguientes pero sin limitarse a ellos, la pérdida de utilidades o ingresos, pérdida de uso de equipo o de cualquier otro equipo relacionado, costo de capital, costo de equipo de sustitución, instalaciones o servicios, costos por tiempo de inactividad, o reclamaciones de clientes de compras por tales daños. FANTECH no asume, ni autoriza a ninguna persona a asumir en su nombre, ninguna otra responsabilidad en relación con la venta de productos o piezas. Algunas jurisdicciones no permiten la exclusión o límites de daños incidentales o correlativos de modo que es posible que las anteriores limitaciones y exclusiones no se apliquen a usted.

Advertencia

Los productos de FANTECH, INC. están diseñados y fabricados para proporcionar un rendimiento fiable pero no se garantiza que estén 100% libres de defectos. Aun los productos fiables experimentan fallas ocasionales y el usuario debe reconocer esta posibilidad. Si estos productos se utilizan en un sistema de ventilación de mantenimiento de las funciones vitales en el que una falla podría derivar en pérdidas o lesiones, el usuario debe prever el uso de un sistema de ventilación de respaldo adecuado, ventilación natural adicional, sistema de notificación de fallas, o reconocer la aceptación de los riesgos por tal pérdida o lesión.

LAS SIGUIENTES GARANTÍAS NO PROCEDEN:

- Daños de transporte, ya sean ocultos o visibles. El reclamo se deberá hacer ante el transportista.
- Daños causados por mal cableado o instalación.
- Daños por situaciones de fuerza mayor o como consecuencia de procedimientos indebidos por parte del consumidor, tales como:
 1. Mantenimiento inadecuado
 2. Mal uso, abuso, uso anormal, accidentes, y
 3. Voltaje o corriente eléctrica incorrecta.
- Desprendimiento o alteración del número de control en la etiqueta de FANTECH, o de la fecha de manufactura.
- Cualquier otra garantía, ya sea expresa, escrita o implícita, y cualquier daño incidental o correlativo; pérdida de bienes, ingresos, utilidades; gastos incurridos en el desmontaje, instalación o reinstalación o cualquier incumplimiento de garantías.

VERIFICACIÓN DE GARANTÍA

- El usuario debe guardar una copia de la Factura de Venta para verificar la fecha de compra.
- Estas garantías le otorgan derechos legales específicos, y están sujetas a una legislación aplicable en materia de protección del consumidor. Es posible que usted tenga derechos adicionales que varíen de un estado a otro.

United States
 10048 Industrial Blvd.,
 Lenexa, KS 66215
 Phone: 800.747.1762; 913.752.6000
 Fax: 800.487.9915; 913.752.6466
 www.fantech.net; info@fantech.net

Canada
 50 Kanalfakt Way,
 Bouctouche, NB E4S 3M5
 Phone: 800.565.3548; 506.743.9500
 Fax: 877.747.8116; 506.743.9600
 www.fantech.ca; info@fantech.ca

Fantech se reserva el derecho de modificar, en cualquier momento y sin previo aviso, todas y cada una de las características, diseños, componentes y especificaciones de sus productos a fin de conservar su lugar de liderazgo tecnológico.

Item #: 412889
 Rev Date: 0810