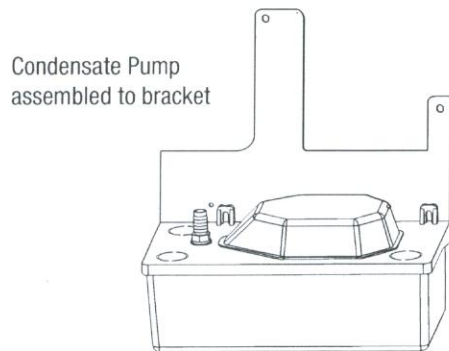


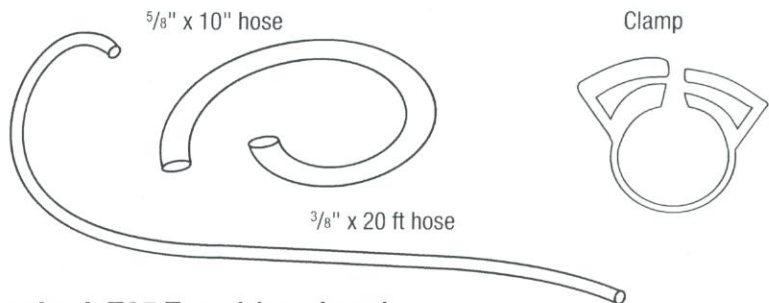
Condensate Pump Kit

Part No. 4033038



Condensate Pump
assembled to bracket

Parts Included:



Tools Required: T25 Torx driver, Level

Additional Materials will be needed to elevate dehumidifier

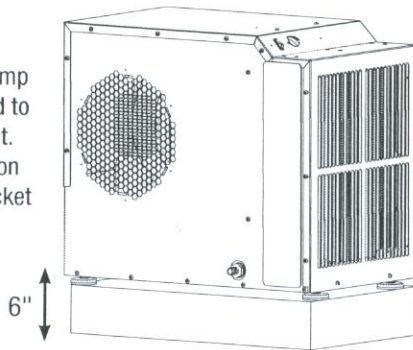
CAUTION! Before installing pump kit, disconnect dehumidifier from electrical power and disconnect drain hose if previously installed.

Note: The (2) white wires located at the top of the condensate pump are overflow safety trip wires (optional). These wires are not live or hot wires until connected to the dehumidifier or another automatic cut off device. Only a certified electrician is qualified to connect the safety trip wires to your Therma-Stor dehumidifier. Attaching the overflow safety trip wires to your Therma-Stor dehumidifier will cut power to the dehumidifier if the pump motor should fail and the secondary float switch trips (this process is optional and not necessary on every install). You may also use other low voltage (24 volt) cut off devices that do not involve an electrician. Please contact Therma-Stor if you have any additional questions.

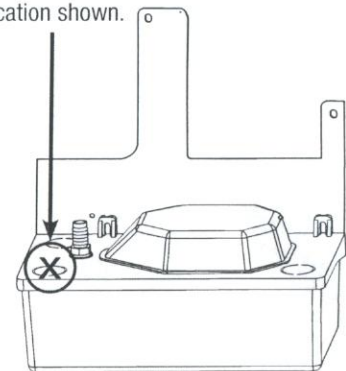
Step 1: Elevate Unit 6" in height.

Note: Feet can only provide 2 1/2" height. Extra lift to be provided by installer.

CAUTION! The pump and bracket are not designed to support the weight of the unit. Do not allow the unit to rest on the pump and mounting bracket after it is installed.

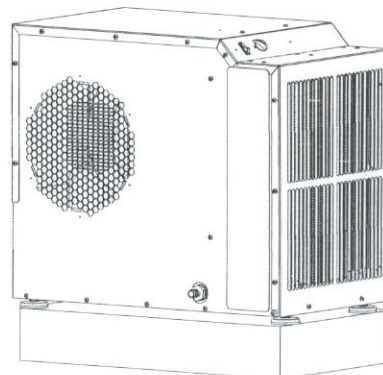
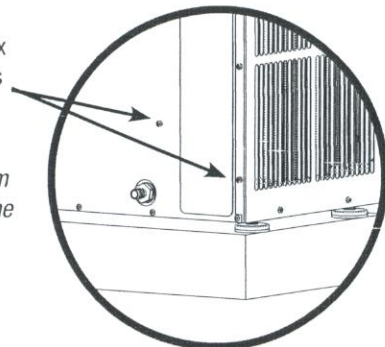


Step 2: Knock inlet hole out of the condensate pump in the location shown.



Step 3: Using a T25 Torx driver, remove two screws located on the side of the unit as shown.

Note: Remove screws from the side of the unit with the drain outlet.



OVER
→



Therma-Stor LLC

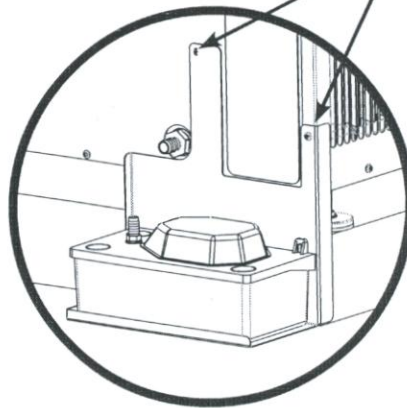
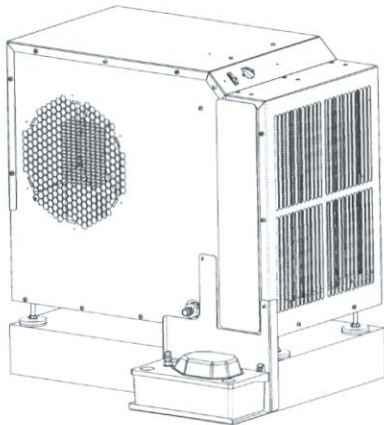
Driven by performance. Powered by design.™

4201 Lien Rd Madison, WI 53704 • TOLL-FREE 1-800-533-7533 • www.thermastor.com • sales@thermastor.com

TS-778

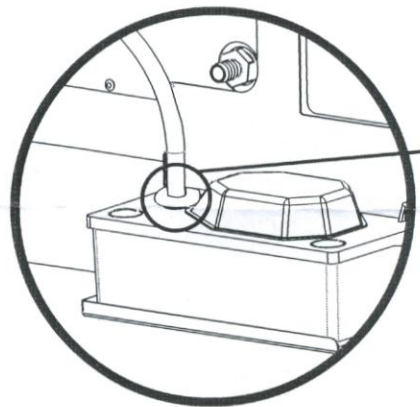
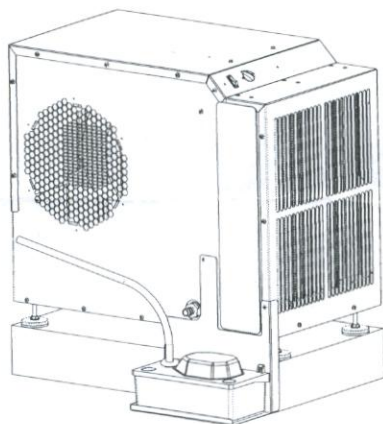
Step 4: Attach the condensate pump assembly using the two screws as shown. Do not over tighten the screws.

Note: Make sure the unit is level by adjusting the feet height. Make sure bracket sets on the floor.



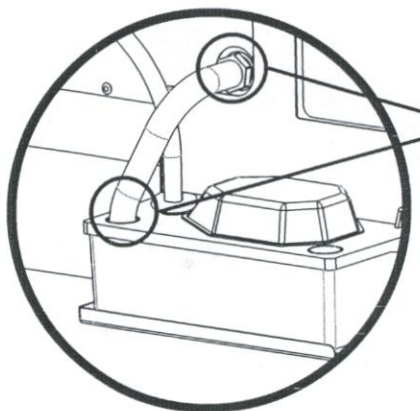
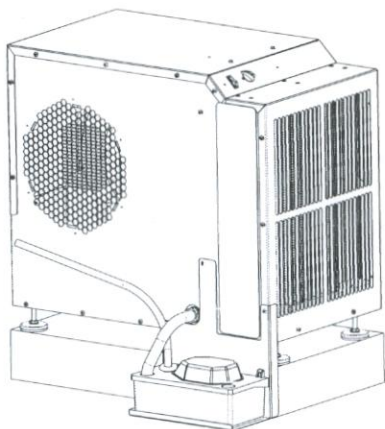
Step 5: Insert clamp onto 3/8" drain hose and then attach hose onto the barbed outlet fitting of the condensate pump. Tighten clamp. Verify hose is secured tightly to condensate pump by pulling gently on hose. Route hose appropriately to a drain.

Note: Do not exceed 10 ft. vertically when pumping to a drain above the unit.



Attach clamp as shown.

Step 6: Attach 5/8" hose onto the barbed drain adaptor of the dehumidifier. Route hose to condensate pump as shown. Insert hose no more than 2" into condensate pump. It may be necessary to trim hose to properly fit.



Attach hose as shown.

Step 7: Plug the pump and dehumidifier cords into an outlet that is protected with A GFCI device on its circuit.



Therma-Stor LLC

Driven by performance. Powered by design.™

P.O. Box 8680 Madison, WI 53708 • TOLL-FREE 1-800-533-7533 • www.thermastor.com • sales@thermastor.com

TS-778