

Figure 1 – Single Stage or Heat Pump with Single Transformer

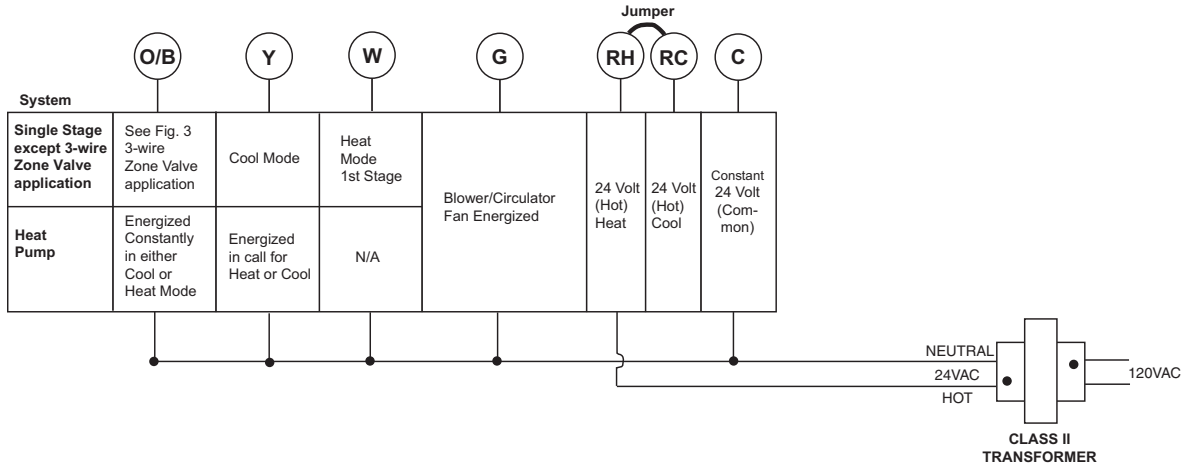
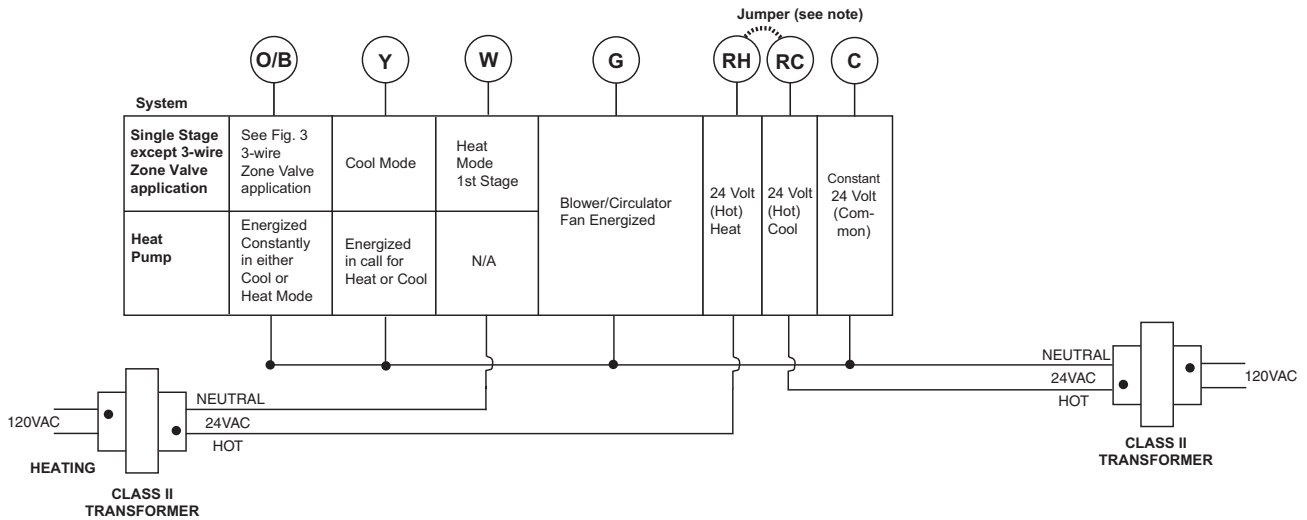
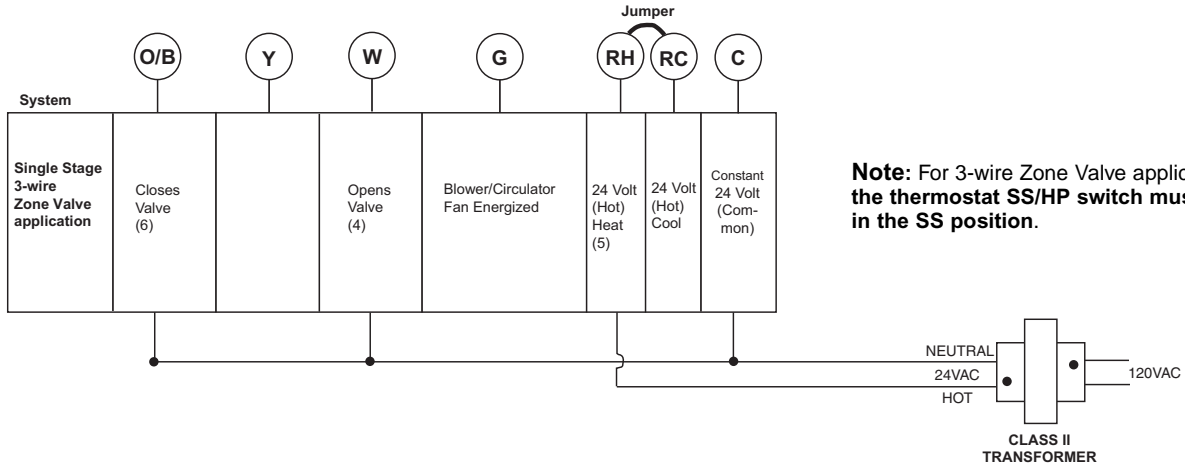


Figure 2 – Single Stage or Heat Pump with Two Transformers



Note: If continuous backlight or hardwired power input are desired but do not function in both HEAT and COOL modes, cut the heating transformer 24V wires and tape off. Connect the neutral circuit disconnected from the heating transformer to the neutral circuit of the cooling transformer. Disconnect the wire to the RH terminal and install a jumper between RH and RC. Depending on the system requirements, replace the cooling transformer with a 75VA class II transformer if needed.

Figure 3 – 3-Wire (SPDT) Heat Only Zone Valve Wiring



Note: For 3-wire Zone Valve application, the thermostat SS/HP switch must be in the SS position.