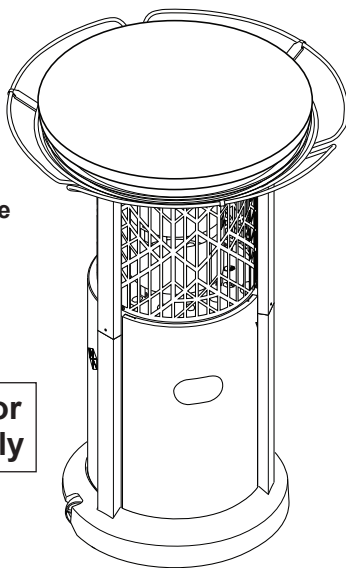




**PROPANE/LP BISTRO TABLE
INFRARED PATIO HEATER
OWNER'S MANUAL**

MODELS
TD101, TD103,
TD109 and TD111
Adjustable Temperature
Settings:
Low - 9,500 Btu
High - 16,000 Btu



**⚠ WARNING: For
Outdoor Use Only**

⚠ WARNING: Read and understand this manual before assembling, starting, or servicing heater. Improper use of heater can cause serious injury, property damage, or death. Keep this manual for future reference.

**INSTALLER: Leave this manual with the appliance.
CONSUMER: Retain this manual for future reference.**

FOR YOUR SAFETY

Do not store or use gasoline or other flammable vapors and liquids in the vicinity of this or any other appliance.

FOR YOUR SAFETY

If you smell gas:

- 1. Shut off gas to the appliance.**
- 2. Extinguish any open flame.**
- 3. If odor continues, immediately call your gas supplier.**

Fill In For Your Records

Model No. _____
(Located on side panel)

Serial No. _____
(Located on side panel)

Date of Purchase _____

TABLE OF CONTENTS

Safety	2	Maintenance	11
Product Identification	4	Specifications	11
Unpacking	4	Parts	12
Assembly	4	Replacement Parts	15
Operation	9	Technical Service	15
Troubleshooting	10	Accessory	15
Storage	11	Warranty	16

SAFETY

⚠ WARNING: This product contains and/or generates chemicals known to the state of California to cause cancer or birth defects, or other reproductive harm.

⚠ WARNING: Fire, burn, inhalation, and explosion hazard. Keep solid combustibles, such as building materials, wood, vinyl siding, paper or cardboard, a safe distance away from the heater as recommended by the instructions. Never use heater in spaces which do or may contain volatile or airborne combustibles, or products such as gasoline, solvents, paint thinner, dust particles or unknown chemicals.

⚠ WARNING: Improper installation, adjustment, alteration, service or maintenance can cause injury, property damage, or death. Read the installation, operating, and maintenance instructions thoroughly before installing or servicing this equipment.

⚠ WARNING: For use only outdoors in a well ventilated space. Do not use heater indoors or in a building or garage or any unventilated or enclosed areas.

This heater is designed for use as an infrared patio heater in accordance with the applicable requirements CSA 5.90

U.S. Infrared Patio Heaters, CAN 1-2.23 Portable Infrared Heaters for Canada. Other standards govern the use of fuel gases and heating products for specific uses. Your local authority can advise you about these. The primary purpose of outdoor patio heaters is to provide heating of residential and non-residential spaces. Properly used, this heater provides safe economical heating.

We cannot foresee every use which may be made of our heaters. **CHECK WITH YOUR LOCAL FIRE SAFETY AUTHORITY IF YOU HAVE QUESTIONS ABOUT HEATER USE.**

Carbon Monoxide Poisoning: Some people are more affected by carbon monoxide than others. Early signs of carbon monoxide poisoning resemble the flu, with headaches, dizziness, and/or nausea. If you have these signs, the heater may not be working properly. **Get fresh air at once!** Have heater serviced.

Propane/LP Gas: Propane/LP gas is odorless. An odor-making agent is added to propane/LP gas. The odor helps you detect a propane/LP gas leak. However, the odor added to propane/LP gas may fade. Propane/LP gas may be present even though no odor exists.

Make certain you read and understand all warnings. Keep this manual for reference. It is your guide to safe and proper operation of this heater.

Any guard or other protective device removed for servicing must be replaced prior to operating the heater.

Surface temperatures become very hot when operating heater. Children and adults should stay away to avoid burns or clothing ignition.

Young children should be carefully supervised when they are in the area of the heater.

SAFETY

Continued

Clothing or other flammable materials should not be hung from the heater, or placed on or near heater.

Installation and repair should be done by a qualified service person. The heater should be inspected before use and at least annually by a qualified service person. More frequent cleaning may be required as necessary. It is imperative that control compartments, burners, and circulating air passageways of the heater be kept clean.

⚠ CAUTION: The gas pressure regulator provided with this appliance must be used. This regulator is set for an output pressure of 11" W.C. (0.4 P.S.I.).

1. Install and use heater with care. Follow all local ordinances and codes. In the absence of local ordinances and codes, refer to the *Standard for Storage and Handling of Liquefied Petroleum Gas, ANSI/NFPA 58, CAN-B149 Installation CODE*. This instructs on the safe storage and handling of propane/LP gases.
2. Use only propane/LP gas set up for vapor withdrawal in a 20 lb. cylinder. Cylinder must be constructed and marked in accordance with specifications for propane/LP cylinders of the U.S. Department of Transportation (DOT). The cylinder must be provided with a shutoff valve terminating in a propane/LP supply cylinder valve outlet. The valve must have external threads and marked "Use with Type 1" and a safety relief device having a direct communication with the vapor space of the cylinder. The cylinder used must include a collar to protect the cylinder valve.
3. Keep appliance area clear and free from combustible materials, gasoline, paint thinner, and other flammable vapors and liquids. Dust is combustible. Do not use heater in areas with high dust content.

4. Spillage of combustible liquids into the flame could cause a fire.
5. Do not place combustible table cloths on heater table. If table cloth is used, do not allow any part of cloth to hang over edge of table into heat outlet area.
6. Table becomes warm in operation.
7. Minimum heater clearances from permanent combustible construction:
Front, Back and sides 6" (15.2 cm), Top 36" (0.91 m) (see Figure 1).
8. Before each use, check heater for leaks. Never use an open flame to check for a leak. Apply a mixture of liquid soap and water to all joints. Bubbles forming show a leak. Correct all leaks at once.
9. Keep propane/LP cylinder below 100° F (38° C).
10. Use only the hose and factory preset regulator provided with the heater. Do not adjust regulator as gas leaks may occur.
11. Locate hose properly, keeping it out of pathways where people may trip over it or in areas where the hose may be subjected to accidental damage. Keep hose away from burner on inside of heater.
12. Check hose before each use of heater. Disconnect hose with 9/16" wrench. Check for tears and abrasions in hose and on regulator. If highly worn or cut, replace with hose specified by manufacturer before using heater.
13. Do not alter heater. Keep heater in its original state. Do not use heater if altered.
14. Locate heater on stable and level surface.
15. Do not operate heater while sleeping or leave heater unattended.

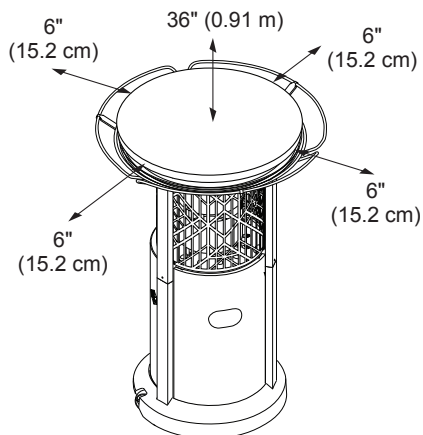


Figure 1 - Clearances from Combustibles

SAFETY

Continued

- Never move, handle, or service a hot or operating heater. Severe burns may result. You must wait 20 minutes after turning heater off.
- To prevent injury, wear gloves when handling heater.
- Turn off heater valve and gas supply to heater when not in use.
- Use only original replacement parts. This heater must use design-specific parts. Do not substitute or use generic parts. Improper replacement parts could cause serious or fatal injuries.
- Certain materials or items, when stored in front of heater, will be subjected to radiant heat and could be seriously damaged.
- Shut heater off immediately if flashback occurs (flame inside burner tube). Have heater serviced.
- Never attempt to use heater or any components that have been damaged or exposed to accidental fire.
- If you smell gas or suspect a leak, shut off propane/LP cylinder valve at once. Ventilate area. Do not strike a match or create any flame or electric spark. Find and correct leak before attempting to light any appliance.
- Do not block intake air openings.
- Use correct pressure specifications, see page 11.
- Propane/LP gas cylinder is not provided. Use a 20 lb. propane/LP gas cylinder marked propane. The cylinder supply system must be arranged for vapor withdrawal. The cylinder used must include a collar to protect the cylinder valve. The cylinder must be provided with a shutoff valve terminating in a propane/LP gas supply cylinder valve outlet specified, as applicable, for connection no. 510 in the *Standard for Compressed Gas Cylinders Valve Outlet and Inlet Connections*, ANSI/CGA-V-1, or connection no. 600 in the Compressed Gas Association's *Limited Standard Cylinder Valve Outlet Connection for Propane Small Valve Series* or combination propane/LP gas cylinder valve and quick-disconnect assembly complying with 1.16.5-c and a safety relief device having a direct communication with the vapor space of the cylinder.

PRODUCT IDENTIFICATION

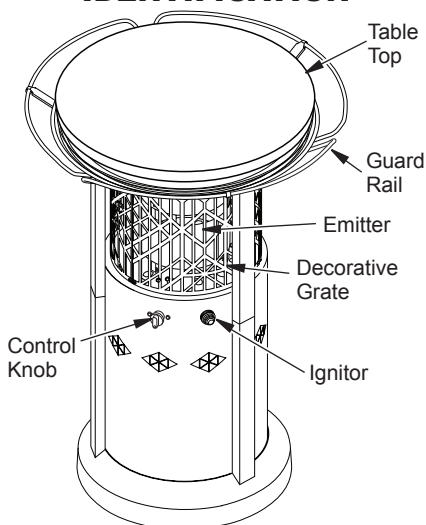


Figure 2 - Infrared Patio Table Heater

UNPACKING

- Remove all packing items applied to heater for shipment.
- Remove all items from carton.
- Check all items for shipping damage. If heater is damaged, promptly inform dealer where you bought heater.

ASSEMBLY

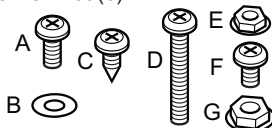
Estimated assembly time: 55 minutes

Tools required:

- #2 Phillips screwdriver
- 8 mm and 10 mm Open end wrench

Hardware packet provided with heater may contain more parts than needed for heater assembly. Parts are referenced by designated letter throughout assembly instructions. Hardware packet contains the following (quantity used in parenthesis):

Description	Part Number
A 1" Screw (6)	119619-04
B 5 mm Washer (6)	119600-02
C 3/8" Screw (59)	119620-02
D 1 1/2" Screw (6)	119619-05
E 5 mm Hex Nut (6)	NPC-3C
F 3/8" Machine Screw (6)	119742-01
G M6 Hex Nut (6)	119743-01



ASSEMBLY

Continued

1. Locate table heater base and 3 lower table support pillars with holes on one side only. Making sure holes in pillars are oriented as shown in Figure 3, slide support pillars into base and attach with screws (A) and washers (B) through bottom 2 holes as shown.
2. Position lower table panel and table control panel onto base assembly as shown in Figure 4. Make certain lower table panel is on side of base with wheels. Using bottom 3 sets of holes only, attach panels to support pillars with 12 screws (C) (see Figure 4). Attach ignitor ground wire with 1 screw as shown in Figure 4 (ignitor installed in step 4).
3. Top sets of screws (C) will insert through panels, through support pillars, then into pillar support connectors as shown in Figure 4 (6 screws). Make sure pillar support connectors are oriented as shown in Figure 4. The side of connectors with one hole should be facing outside heater and hole should be at the top. For support connectors closest to front opening, second screw will only install through panels and support connectors. Second screw will secure connector (see Figure 4).

4. Install electronic ignitor through control panel as shown in Figure 4. Screw retainer ring and ignitor cap on from outside panel. Attach ignitor ground wire to ignitor.

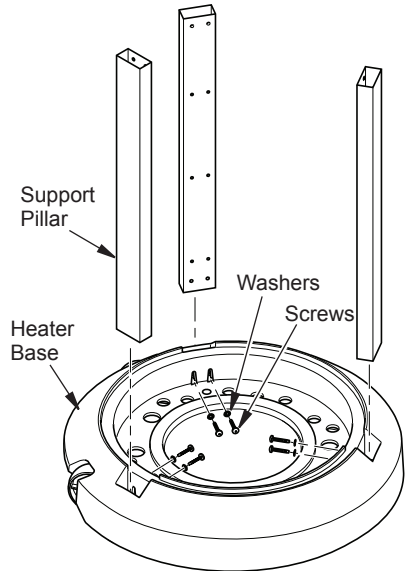


Figure 3 - Installing Support Pillars into Base

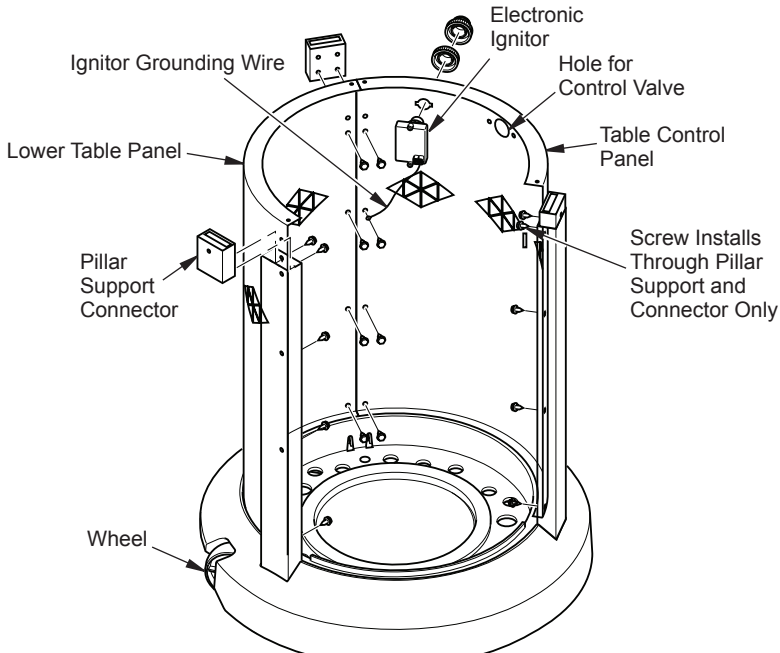


Figure 4 - Attaching Side Panels and Ignitor

ASSEMBLY

Continued

5. Remove wire tie and packing material from regulator located underneath burner support plate.
6. Position burner support plate on top of panels while carefully inserting control valve through hole in control panel.
7. Attach control valve bracket to table control panel with 2 screws (C). Attach control knob to control valve from outside of heater. See Figure 5.
8. Attach burner support plate to panels with 4 screws (C) (see Figure 5).
9. Attach emitter screens to emitter brackets with 4 screws (C) as shown in the Figure 5.
10. Attach emitter cap to emitter brackets with 2 screws (C) as shown in Figure 5.
11. Attach emitter assembly to burner support plate with 2 screws (C) (see Figure 5).
12. Model TD109 only: Place 3 screens around

- grate pillars. For all models, place 3 table decorative grate pieces around grate pillars. Attach to grate pillars with 4 screws (C) per grate as shown in Figure 6.
13. Attach grate assembly to burner support plate using 3 screws, (C) one through bottom of each deco grate pillar (see Figure 7).

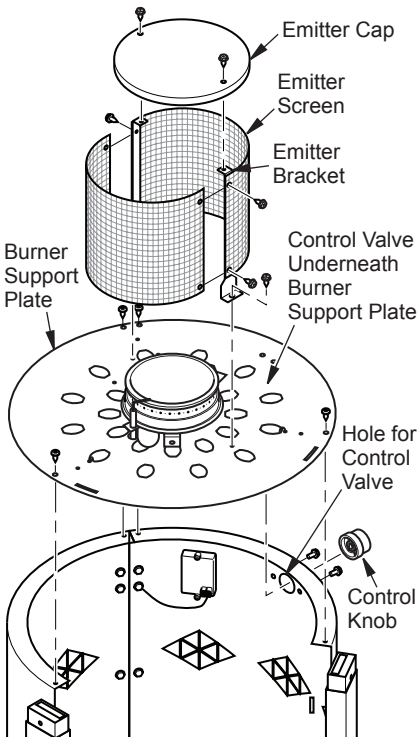


Figure 5 - Assembling Emitter and Attaching Burner Support Plate

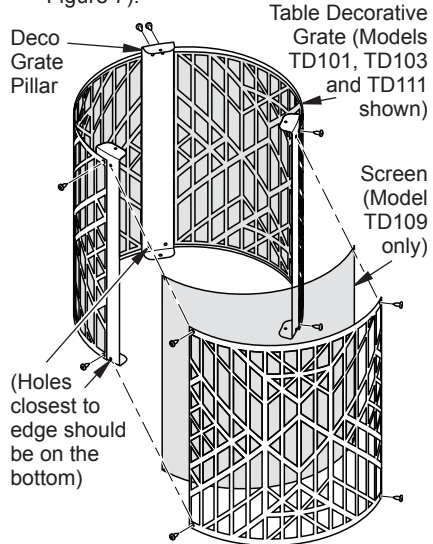


Figure 6 - Deco Grate and Grate Pillar Assembly

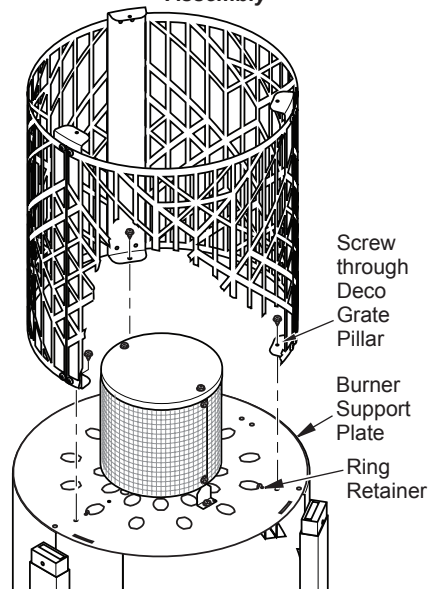


Figure 7 - Attaching Grate Assembly to Heater

ASSEMBLY

Continued

- Place one deflector over deco grate pillars. Attach deflector and brackets to pillars with 1 screw (C) through each of the 3 brackets. See Figure 8.
- Place second deflector over first deflector. Attach deflector to brackets with 2 screws (C) through the top of each bracket (see Figure 8).

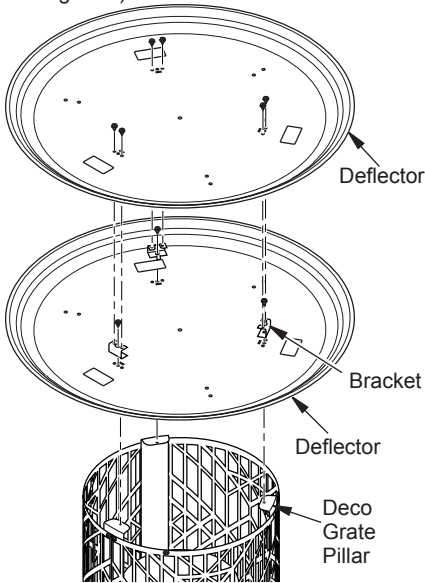


Figure 8 - Deflector Assembly

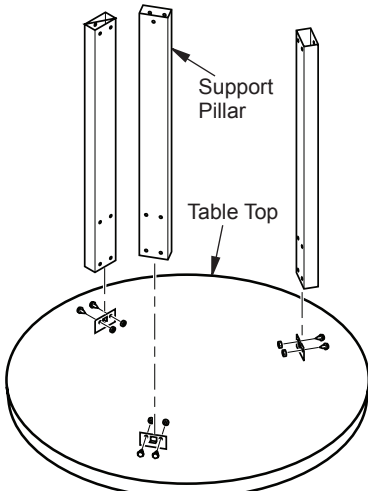


Figure 9 - Table Top Assembly

- Lay table top upside down on a blanket or piece of cardboard to prevent scratching. Making sure holes in support pillars are oriented as shown in Figure 9, install 3 remaining table support pillars as shown. Attach pillars to table top with 2 screws (D) and 2 nuts (E) each.
- Turn table support assembly right side up. Slide support pillars through openings in deflector assembly (see Figure 10). Position top support pillars over pillar support connectors. Secure each set with 1 screw (C) each (see Figure 10).

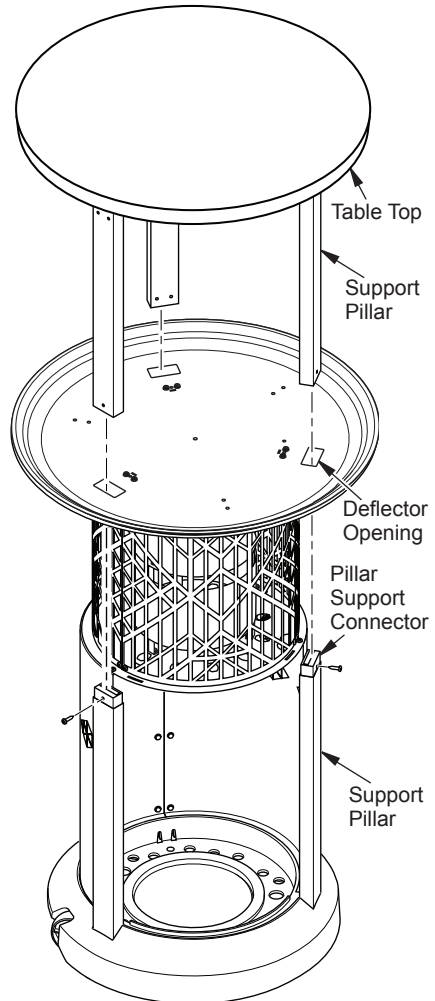


Figure 10 - Table Top Installation

ASSEMBLY

Continued

18. Slide support brackets over guard rails as shown in Figure 11. Make certain brackets curve downward.
19. Insert guard rails into holes of support pillars (see Figure 11). Guard rails will go completely through support pillars. Attach nut (G) to ends of guard rails as shown in Figure 11.
20. Attach support brackets to bottom deflector using 2 screws (F) each as shown in Figure 11.
21. Connect black ignitor wire and electrode located underneath burner support plate to electronic ignitor. Install battery in ignitor as shown on page 14.
22. Place ring retainers ("S" hooks) through holes in burner support place as shown in Figure 7, page 6.
23. Connect regulator to gas cylinder, see *Operation*, page 9. Gas cylinder will set inside of cabinet assembly.
24. Check for leaks. See *Checking for Leaks* page 9.
25. Hang table door panel from slots in burner support plate to cover inside of heater.

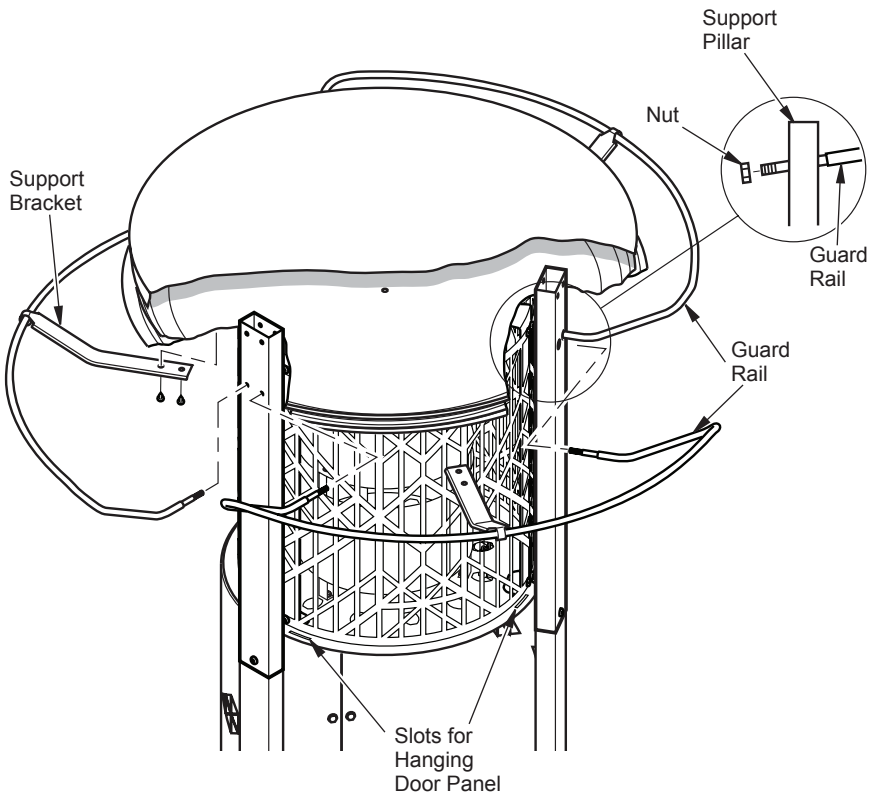


Figure 11 - Guard Rail Assembly (top and deflectors cut away for clarity)

OPERATION

Use only a 20 lb. propane/LP cylinder (not included). See safety information for proper cylinder selection. Connect hose/regulator assembly to propane cylinder (see Figure 12). Hose should already be connected to heater. When connecting regulator assembly to cylinder valve, hand tighten nut clockwise to a positive stop. DO NOT use a wrench to tighten. Use of a wrench may damage quick closing coupling nuts and result in a hazardous condition.

Route retention chain through at least one handle of propane/LP tank (see Figure 12). Make sure to route chain through handle on tank and NOT around tank valve. Chain must not interfere with valve. Attach hooks on both ends of chains to ring retainers installed on burner support plate. See Figure 7, page 6.

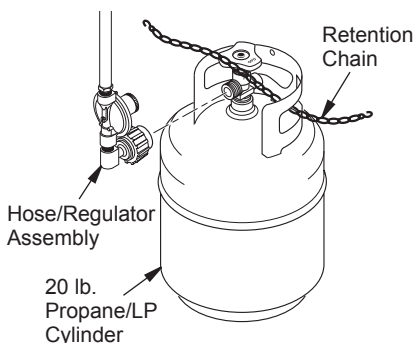


Figure 12 - Connecting Hose/Regulator Assembly to Propane/LP Cylinder

CHECKING FOR LEAKS

1. Turn heater valve to OFF position.
2. Turn cylinder supply valve fully counter clockwise to OPEN position.
3. Use a noncorrosive leak detection solution to check the connection. For leaks before attempting to light heater. If leak is found, turn cylinder valve to CLOSE and do not use until all leaks are corrected.

LIGHTING INSTRUCTIONS

1. Push heater control knob in and turn counter clockwise to the START position.
2. Push knob in and press IGNITOR button. Repeat until heater is lit.
3. Continue holding knob in for approximately 30 seconds. Heater should remain lit in the LOW heat setting.
4. For more heat, press knob and rotate counterclockwise to HIGH setting.
5. If RELIGHTING, wait 5 minutes for heater to cool and gas to clear, then follow steps 1 through 3.

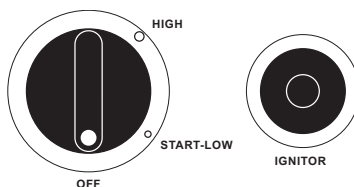


Figure 13 - Heater Controls

SHUTDOWN INSTRUCTIONS

1. Press control knob and rotate clockwise to OFF position.
2. Close propane/LP cylinder valve (rotate knob clockwise).

BURNER OPERATION

Visually inspect burner for proper operation. A correct burner pattern shows blue flames with some yellow tipping and top half of emitter glows red.

An incorrect burner pattern shows large flames more than half the height of emitter coming outside of emitter. Flame should stay contained inside emitter.

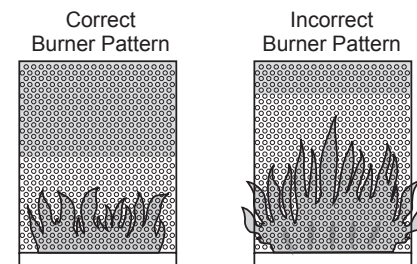


Figure 14 - Burner Operation

TROUBLESHOOTING

⚠ WARNING: Never attempt to service heater while it is connected to propane/LP supply, operating, or hot. Severe burns can occur.

SYMPTOM	POSSIBLE CAUSE	REMEDY
Burner fails to light	<ol style="list-style-type: none">1. Propane/LP supply valve closed on propane/LP cylinder2. Blockage in burner/orifice elbow/hose and regulator assembly3. Battery not installed, battery power low or battery not installed correctly	<ol style="list-style-type: none">1. Open propane/LP supply valve slowly2. Clean burner/replace orifice elbow/hose and regulator assembly3. Install new alkaline battery in electronic ignitor. Verify battery is installed correctly. See page 14
Burner lights but goes out when automatic control valve button is released	<ol style="list-style-type: none">1. Not enough warm up time2. Low gas pressure3. Thermocouple loose or needs to be replaced4. Automatic control valve needs to be replaced5. Thermocouple gap is too great	<ol style="list-style-type: none">1. Relight, hold automatic control valve button in 30 seconds2. Check propane/LP cylinder for proper gas supply3. Tighten connection or replace thermocouple4. Replace automatic control valve assembly5. Tip of thermocouple should just touch the emitter material. Loosen bracket screws to move thermocouple closer to burner. Be careful not to allow ignitor to touch. Maintain 0.20"
Maximum burn rate is low	<ol style="list-style-type: none">1. Low gas pressure2. Low fuel supply3. Restriction in burner/orifice elbow/hose and regulator assembly	<ol style="list-style-type: none">1. Check gas supply; check regulator output2. Consult propane/LP gas supplier3. Clean burner/replace orifice elbow/hose and regulator assembly

STORAGE

⚠ CAUTION: Disconnect heater from propane/LP supply cylinder.

1. Do not store heater while attached to propane/LP cylinder. Close cylinder valve. Remove the hose/regulator assembly from the propane/LP cylinder by turning the fuel gas connector nut clockwise.
2. Storage of heater inside is permissible only if the cylinder is disconnected and removed from the appliance.
3. Store propane/LP cylinder in safe manner. Refer to Chapter 5 of *Standard for Storage and Handling of Liquefied Petroleum Gases, ANSI/NFPA 58*. Follow all local codes. Cylinders must be stored outdoors in a well-ventilated area out of reach of children. Disconnected cylinders must have threaded valve plugs tightly installed, and must not be stored in a building, garage or any other enclosed area. Never store cylinders near high heat, open flame, or where temperatures exceed 100° F (38° C).
4. Store in a dry, clean, and safe place.

MAINTENANCE

⚠ WARNING: Never attempt to service heater while it is connected to propane/LP supply, operating, or hot. Severe burns can occur. Any guard or other protective device removed for servicing must be replaced prior to operating the heater.

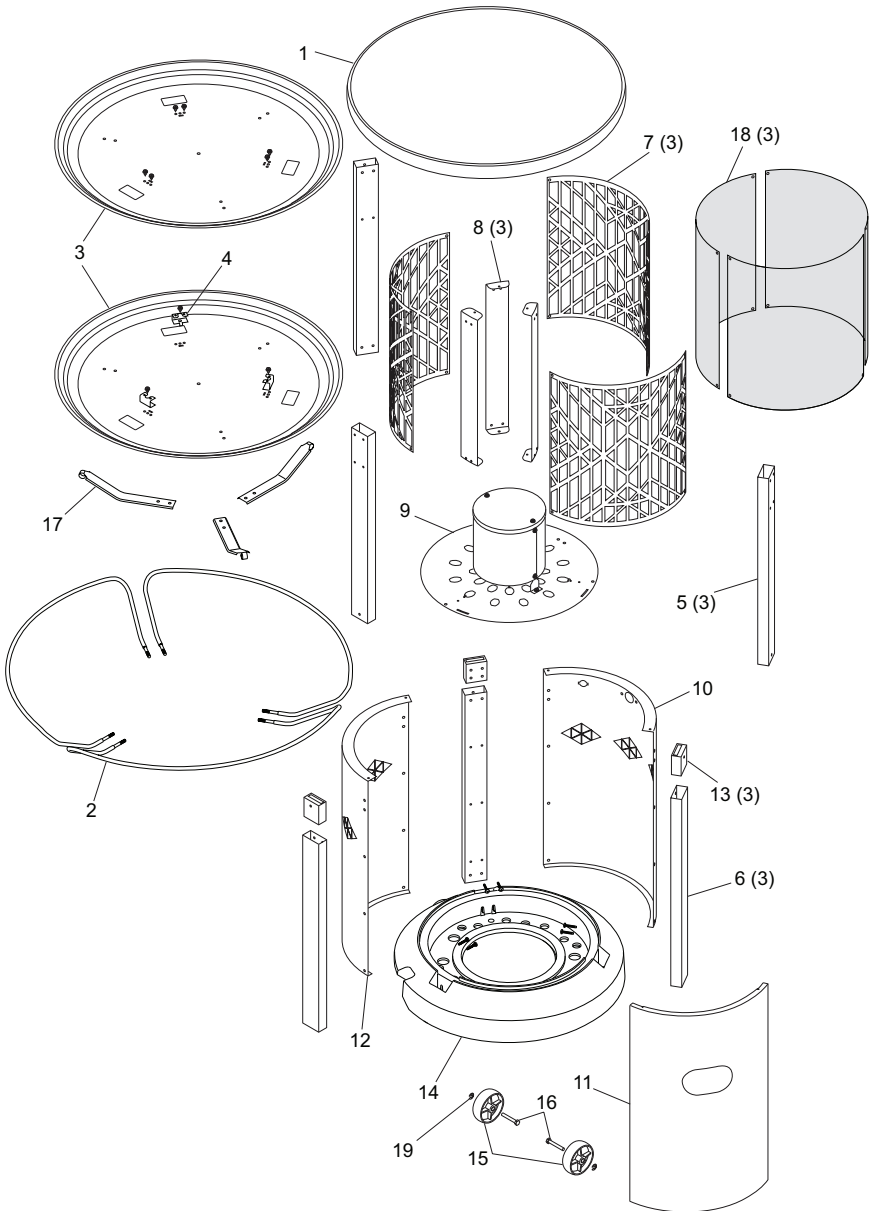
1. Keep heater clean. Remove any debris from ventilation openings.
2. Inspect heater before each use. Check connections for leaks. Apply mixture of liquid soap and water to connections. Bubbles forming show a leak that must be corrected. Correct all leaks at once.
3. Inspect hose/regulator assembly before each use. If hose is highly worn or cut, replace it immediately. At least annually, remove hose/regulator assembly from heater to inspect entire length of hose.
4. Spiders and insects can create a dangerous condition that may damage heater or make it unsafe. Keep burner area clean of all spiders, webs, or insects.
5. Have heater inspected yearly by a qualified service person.

SPECIFICATIONS

- Rating: High - 16,000 Btu/Hr (4.69 kw)
Low - 9,500 Btu/Hr (2.78 kw)
- Fuel: Propane Vapor Only
- Fuel Consumption/Hour: Min. 0.10 gal (0.39 liter), Max. 0.17 gal (0.66 liter)
Min. 0.44 lb (0.20 kg), Max 0.74 lb (0.33 kg)
- Supply Pressure (To Regulator): Maximum - 200 psi (1,379 Kpa)
Minimum, for input adjustment - 5 psi (34.5 Kpa)
- Manifold Pressure: High - 11 WC (2.74 kPa), Low - 10.6 psi (73.08 kPa)
- Ignitor Gap: 0.120"
- Minimum Temperature: -20°F (29°C) Surrounding Air Temperature
- Heater Size (L x W x H): 30.5" x 30.5" x 43.5" (0.77 x 0.77 x 1.1 m)
- Carton Size (L x W x H): 25.75" x 25.75" x 16.25" (0.65 x 0.65 x 0.41 m)
- Heater Weight: 73 lb (33.1 kg)
- Shipping Weight: 84 lb (38.1 kg)

PARTS

MODELS TD101, TD103, TD109 AND TD111



PARTS

This list contains replaceable parts used in your heater. When ordering parts, follow the instructions listed under *Replacement Parts*, page 15.

KEY NO.	PART NO.	DESCRIPTION	TD101, TD111	TD103	TD109	QTY.
1	118858-01	Table Top	•	•		1
	118858-02	Table Top	•	•	•	1
2	118866-01	Guard Rail	•	•	•	3
3	118856-01	Deflector	•	•	•	2
4	118871-01	Deflector Spacer Bracket	•	•	•	3
5	118850-01	Upper Table Support Pillar	•	•	•	3
6	118850-02	Lower Table Support Pillar	•	•	•	3
7	118855-01	Table Decorative Grate, Mission	•	•		3
	118855-02	Table Decorative Grate, Ornate			•	3
8	118854-01	Deco Grate Pillar	•	•	•	3
9	—	Emitter Assembly, see page 14	•	•	•	1
10	118859-01	Table Control Panel		•		1
	118859-02	Table Control Panel	•		•	1
11	118860-01	Table Door Panel		•		1
	118860-02	Table Door Panel	•		•	1
12	118851-01	Lower Table Panel		•		1
	118851-02	Lower Table Panel	•		•	1
13	119309-01	Pillar Support Connector	•	•	•	3
14	118848-01	Table Heater Base	•	•	•	1
15	118849-01	Wheel	•	•	•	2
16	118862-01	Table Wheel Axle	•	•	•	2
17	119625-01	Guard Rail Support Bracket	•	•	•	3
18	119940-01	Screen			•	3
19	118863-01	Ring Retainer	•	•	•	2
PARTS AVAILABLE - NOT SHOWN						
	118988-01	Warning Decal	•	•	•	1
	118989-01	General Information Decal	•	•	•	1
	118990-05	Control Position Decal, English	•	•	•	1
	118990-03	Control Position Decal, Spanish/French	•	•	•	1
	119102-01	Regulator and Hose Assembly	•	•	•	1
	119103-01	Assembly Hardware Bag	•	•	•	1
	119110-01	Propane Tank Retention Chain	•	•	•	1
	120574-01	Retention Chain Ring Retainer	•	•	•	2
	119422-01	Accessory Cover*			•	1

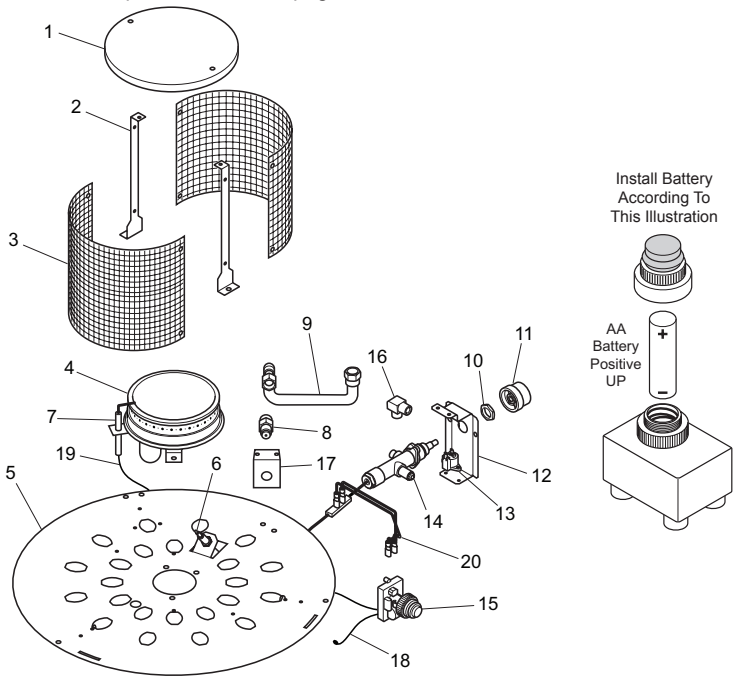
* Available as accessory for models TD101, TD103 and TD111.

PARTS

BURNER

MODELS TD101, TD103, TD109 AND TD111

This list contains replaceable parts used in your heater. When ordering parts, follow the instructions listed under *Replacement Parts*, page 15.



KEY

NO.	PART NO.	DESCRIPTION	QTY.
1	119281-01	Emitter Cap	1
2	119280-01	Emitter Bracket	2
3	118870-01	Emitter Screen	2
4	118864-01	Table Burner	1
5	118852-01	Burner Support Plate	1
6	119104-01	Thermocouple with Tip Switch Harness	1
	100898-01	Thermocouple Nut	2
7	119107-01	Ignitor Electrode	1
8	119106-01	Injector	1
9	118869-01	Burner Flex Line	1
10	098508-01	Valve Nut	1
11	120575-01	Knob	1
12	118867-01	Valve Mounting Plate	1
13	108498-01	Tip Switch	1
14	118868-01	Control Valve	1
15	111435-01	Electronic Ignitor	1
16	119557-01	Elbow Fitting	1
17	119610-01	Injector Bracket	1
18	119611-01	Ground Wire	1
19	120413-01	Ignitor Wire	1
20	120412-01	Tip Switch Wire	2

REPLACEMENT PARTS

⚠ WARNING: Use only original replacement parts. This heater must use design-specific parts. Do not substitute or use generic parts. Improper replacement parts could cause serious or fatal injuries. This will also protect your warranty coverage for parts replaced under warranty.

PARTS UNDER WARRANTY

Contact authorized dealers of this product. If they can't supply original replacement part(s), either contact your nearest Parts Central or call DESA Heating Products' Technical Service Department at 1-866-672-6040.

When calling DESA Heating Products, have ready

- your name
- your address
- model and serial numbers of your heater
- purchase date
- how heater was malfunctioning

In most cases, we will ask you to return the part to the factory.

PARTS NOT UNDER WARRANTY

Contact authorized dealers of this product. If they can't supply original replacement part(s), either contact your nearest Parts Central listed in the Authorized Service Center booklet supplied with heater or call DESA Heating Products (US) at 1-866-672-6040 or DESA Industries (CAN) at 1-416-255-5333 for referral information.

When calling DESA Heating Products, have ready

- model number of your heater
- the replacement part number

TECHNICAL SERVICE

You may have further questions about installation, operation, or troubleshooting. If so, contact DESA Heating Products' Technical Service Department at 1-866-672-6040. When calling please have your model and serial numbers of your heater ready.

You can also visit DESA Heating Products' technical service web site at www.desatech.com.

ACCESSORY

Purchase accessories and parts from your nearest dealer or service center. If your dealer or service center can not supply an accessory or part, either contact your nearest Parts Central (listed in the separate Authorized Service Center booklet) or call DESA Heating Products (US) at 1-866-672-6040 or DESA Industries (CAN) at 1-416-255-5333 for referral information. You can also write to the address listed on the back page of this manual.

PATIO HEATER COVER - 119422-01

A heater cover accessory may be purchased to protect your patio heater. Made of black polyester material with Outdoor Leisure logo.

Patio heater cover accessory may be ordered through this website:

www.aboutoutdoorleisure.com

- Click "Online Outlet".
- Click "Patio Heaters".
- Click "Accessories".

WARRANTY

LIMITED WARRANTY

DESA Heating, LLC warrants this product and any parts thereof, to be free from defects in materials and workmanship for one (1) year for residential home owner usage or 90 days for commercial/industrial usage from the date of first purchase when operated and maintained in accordance with instructions. This warranty is extended only to the original retail purchaser, when proof of purchase is provided.

This warranty covers only the cost of parts and labor required to restore the product to proper operating condition. Transportation and incidental costs associated with warranty repairs are not reimbursable under this warranty.

Warranty service is available only through authorized dealers and service centers.

This warranty does not cover defects resulting from misuse, abuse, negligence, accidents, lack of proper maintenance, normal wear, alteration, modification, tampering, contaminated fuels, repair using improper parts, or repair by anyone other than an authorized dealer or service center. Routine maintenance is the responsibility of the owner.

THIS EXPRESS WARRANTY IS GIVEN IN LIEU OF ANY OTHER WARRANTY EITHER EXPRESSED OR IMPLIED, INCLUDING WARRANTIES OF MERCHANTABILITY AND FITNESS FOR A PARTICULAR PURPOSE.

DESA Heating, LLC assumes no responsibility for indirect, incidental or consequential damages. Some states do not allow the exclusion or limitation of incidental or consequential damages or limitations or exclusions may not apply to you. This Limited Warranty gives you specific legal rights and you may also have other rights which vary from state to state.

This warranty does not cover discoloration due to operation of heater. The only warranty applicable is our standard written warranty. We make no other warranty, expressed or implied.

WARRANTY SERVICE

Should your heater require service, return it to your nearest authorized service center. Proof of purchase must be presented with the heater. The heater will be inspected. A defect may be caused by faulty materials or workmanship. If so, DESA Heating, LLC will repair or replace the heater without charge.

REPAIR SERVICE

Return the heater to your nearest authorized service center. Each Service Center is independently owned and operated. Repairs not covered by the warranty will be billed at standard prices. We reserve the right to amend these specifications at any time without notice.

For information about this warranty write:



DESA Heating, LLC
2701 Industrial Drive
P.O. Box 90004
Bowling Green, KY 42102-9004
www.desatech.com
1-866-672-6040



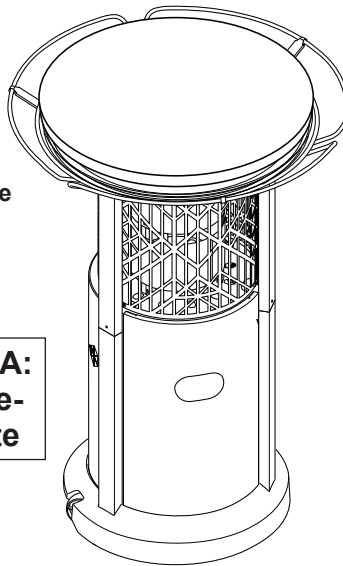
INDUSTRIES OF CANADA, INC.
82 Akron Road
Toronto, Ontario
M8W 1T2
www.desatech.com



**CALENTADOR INFRARROJO DE
PROPANO O GAS LP PARA PATIO
TIPO MESA BISTRO
MANUAL DEL PROPIETARIO**

**MODELOS
TD101, TD103,
TD109 Y TD111**

Configuración ajustable
de la temperatura:
Baja 9,500 BTU
Alta 16,000 BTU



⚠ ADVERTENCIA:
para uso en exte-
riores solamente

⚠ ADVERTENCIA: lea y comprenda este manual antes de ensamblar, arrancar o dar servicio al calentador. El uso inadecuado del calentador puede ocasionar lesiones graves, daños a la propiedad o la muerte. Conserve este manual para referencias futuras.

INSTALADOR: deje este manual junto con el aparato.
CONSUMIDOR: conserve este manual para futuras referencias.

POR SU SEGURIDAD

No guarde ni utilice gasolina u otros vapores y líquidos inflamables cerca de este aparato ni de cualquier otro.

POR SU SEGURIDAD

Si percibe olor a gas:

1. Cierre el suministro de gas al aparato.
2. Apague cualquier llama al descubierto.
3. Si el olor continúa, llame inmediatamente a su proveedor de gas.

Llénelo para sus expedientes

Nº de modelo _____
(Situado en el panel lateral)

Nº de serie _____
(Situado en el panel lateral)

Fecha de compra _____

TABLA DE CONTENIDO

Seguridad	2	Mantenimiento	12
Identificación del producto	5	Especificaciones	13
Desempaque	5	Clasificación ilustrada de piezas y lista de piezas... 14	14
Ensamble	5	Piezas de repuesto	17
Funcionamiento	10	Servicio técnico	17
Solución de problemas	11	Accesorios	17
Almacenamiento	12	Garantía	18

SEGURIDAD

⚠️ ADVERTENCIA: este producto contiene y/o genera químicos reconocidos por el estado de California como causantes de cáncer, defectos de nacimiento u otros daños reproductivos.

⚠️ ADVERTENCIA: peligro de incendio, quemaduras, inhalación y explosión. Mantenga los combustibles sólidos, como materiales de construcción, madera, revestimientos de vinilo, papel o cartón a una distancia segura del calentador, como se recomienda en las instrucciones. Nunca use el calentador en espacios que contengan o que pudieran contener combustibles volátiles o suspendidos en el aire, ni productos como gasolina, solventes, disolvente de pintura, partículas de polvo o productos químicos desconocidos.

⚠️ ADVERTENCIA: si la instalación, el ajuste, las alteraciones, el servicio o el mantenimiento no se realizan correctamente, se podrían ocasionar lesiones, daños a la propiedad o la muerte. Lea cuidadosamente las instrucciones de instalación, operación y mantenimiento antes de instalar el equipo o realizar tareas de mantenimiento.

⚠️ ADVERTENCIA: para usarse en exteriores solamente, en un área bien ventilada. No utilice el calentador en interiores ni en un edificio, garaje o cualquier otra área cerrada o sin ventilación.

Este calentador está diseñado para usarse como un calentador infrarrojo para patios, de acuerdo con los requisitos aplicables de CSA 5.90 Calentadores infrarrojos para patio en EE.UU. y CAN 1-2.23 Calentadores infrarrojos portátiles para Canadá. Otros estándares rigen el uso de gases combustibles y productos para calefacción para usos específicos. Las autoridades locales pueden informarle acerca de éstos. El objetivo principal de los calentadores para patios en exteriores es proporcionar calefacción a espacios residenciales y no residenciales. Cuando se usa correctamente, este calentador proporciona calefacción económica y segura.

No podemos prever todos los usos que se les pueden dar a nuestros calentadores. **CONSULTE A LAS AUTORIDADES LOCALES DE SEGURIDAD CONTRA INCENDIOS SI TIENE ALGUNA PREGUNTA ACERCA DEL USO DE CALENTADORES.**

Intoxicación con monóxido de carbono: El monóxido de carbono afecta más a unas personas que a otras. Los primeros signos de intoxicación con monóxido de carbono son semejantes a los de la gripe, con dolor de cabeza, mareo o náusea. Si usted presenta estos síntomas, es posible que el calentador no esté funcionando correctamente. **¡Respire aire fresco inmediatamente!** Haga que le den servicio al calentador.

Propano o gas LP: el propano o gas LP es inodoro. Al propano o gas LP se le agrega un agente que tiene olor. El olor le ayuda detectar las fugas de propano o gas LP. Sin embargo, el olor que se añade al propano o gas LP se puede desvanecer. Es posible que haya propano o gas LP en el entorno aunque no haya ningún olor.

Asegúrese de leer y comprender todas las advertencias. Conserve este manual como referencia. Es su guía para la operación segura y correcta de este calentador.

SEGURIDAD

Continuación

Todas las protecciones u otros dispositivos de seguridad que se hayan retirado para dar servicio al calentador se deberán volver a colocar antes de operarlo.

La temperatura de las superficies puede llegar a ser muy alta cuando el calentador está funcionando. Los niños y los adultos deben permanecer lejos del calentador para evitar quemaduras o que la ropa se encienda.

Se debe supervisar a los niños pequeños cuidadosamente cuando estén en el área donde se encuentra el calentador.

No se debe colgar ropa ni otros materiales inflamables en el calentador, ni se deben colocar cerca del mismo.

La instalación y las reparaciones deben ser realizadas por una persona de servicio calificada. El calentador debe ser inspeccionado por una persona de servicio calificada antes de usarse y por lo menos una vez al año. Es posible que se requiera limpiarlo más frecuentemente, según sea necesario. Es imprescindible mantener limpios los compartimientos, los quemadores y los conductos de circulación de aire del calentador.

⚠ PRECAUCIÓN: se debe usar el regulador de presión de gas incluido con este aparato. Este regulador está configurado para una presión de salida de 27.9 cm (11") de C.A. (0.4 PSI).

1. Instale y use el calentador con cuidado. Siga todas las ordenanzas y los códigos locales. A falta de ordenanzas y códigos locales, refiérase al *Estándar para el almacenamiento y el manejo de gases licuados de petróleo, ANSI/NFPA 58, código de instalación CAN/B149*. Éste proporciona instrucciones acerca del almacenamiento y el manejo seguro del propano o gas LP.
2. Utilice sólo propano o gas LP conformado para extracción de vapores en un cilindro de 9 kg (20 lb). El cilindro debe estar fabricado y etiquetado conforme a las especificaciones para cilindros de propano o gas LP del Departamento de transporte de EE.UU. (DOT). El cilindro debe contar con una válvula de cierre con terminación en forma de salida de la válvula del cilindro de suministro de propano o gas LP. La válvula debe tener roscas externas, debe estar etiquetada como "Utilizar con tipo 1" y debe contar con un dispositivo de descarga que tenga comunicación directa con el espacio de vapor del cilindro. El cilindro debe incluir un anillo para proteger la válvula del cilindro.
3. Mantenga el área en dónde se localiza el aparato despejada y libre de materiales combustibles, gasolina, disolventes para pintura y otros vapores y líquidos inflamables. El polvo es combustible. No use el calentador en áreas con alto contenido de polvo.
4. El derramamiento de líquidos combustibles en la llama podría ocasionar un incendio.
5. No coloque manteles combustibles sobre la mesa que sostiene al calentador. Si se utiliza un mantel, no permita que ninguna parte del mismo cuelgue sobre el borde de la mesa hacia el área de salida del calor.

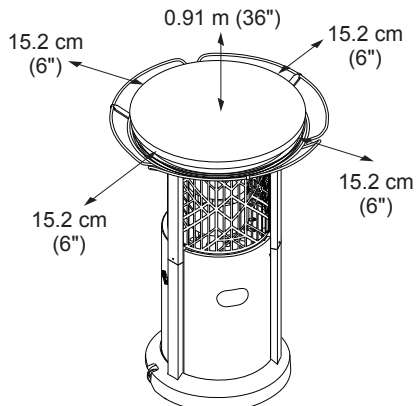


Figura 1 - Distancia mínima del calentador hacia objetos combustibles

SEGURIDAD

Continuación

6. La mesa se calienta durante la operación del aparato.
7. Distancia mínima entre el calentador y las construcciones combustibles permanentes: parte anterior, parte trasera y laterales 15.2 cm (6"), parte superior 0.91 m (36") (consulte la figura 1, página 3).
8. Antes de cada uso, verifique si el calentador tiene alguna fuga. Nunca use una llama al descubierto para revisar si hay alguna fuga. Aplique una mezcla de jabón líquido y agua en todas las uniones. La formación de burbujas indicará una fuga. Repare todas las fugas inmediatamente.
9. Mantenga el cilindro de propano o gas LP a menos de 38 °C (100 °F).
10. Use sólo la manguera y el regulador preinstalados en la fábrica que se incluyen con el calentador. No ajuste el regulador, ya que se podrían producir fugas de gas.
11. Coloque la manguera correctamente, manteniéndola fuera de zonas en las que las personas se puedan tropezar con ella o en áreas en las que la manguera podría dañarse accidentalmente. Mantenga la manguera lejos del quemador que se encuentra en el interior del calentador.
12. Revise la manguera antes de cada uso del calentador. Desconecte la manguera con una llave de 9/16". Revise si hay rasgaduras o abrasiones en la manguera o en el regulador. Si la manguera está muy desgastada o con roturas, reemplácela con una manguera especificada por el fabricante antes de usar el calentador.
13. No altere el calentador. Mantenga el calentador en su estado original. No use el calentador si éste ha sido alterado.
14. Sitúe el calentador sobre una superficie estable y nivelada.
15. No opere el calentador mientras duerme ni lo deje desatendido.
16. Nunca mueva, maneje o dé servicio a un calentador caliente o en funcionamiento. Podría sufrir quemaduras graves. Debe esperar 20 minutos después de apagar el calentador.
17. Para evitar lesiones, use guantes cuando manipule el calentador.
18. Cierre la válvula y el suministro de gas al calentador cuando no lo esté utilizando.
19. Use sólo piezas de repuesto originales. Este calentador debe usar piezas diseñadas específicamente. No las sustituya ni use piezas genéricas. El uso de piezas de repuesto inadecuadas puede ocasionar lesiones graves o fatales.
20. Ciertos materiales o artículos, si se almacenan frente al calentador, estarán sujetos a la radiación de calor y podrían sufrir daños graves.
21. Apague el calentador inmediatamente si se produce un retorno de la llama (una llama dentro del tubo del quemador). Haga que le den servicio al calentador.
22. Nunca intente utilizar el calentador ni ningún componente que esté dañado o que haya sido expuesto a fuego accidental.
23. Si percibe olor a gas o sospecha que hay una fuga, cierre la válvula del cilindro de propano o gas LP inmediatamente. Ventile el área. No encienda fósforos, no inicie fuegos ni produzca chispas eléctricas. Localice y corrija la fuga antes de intentar encender cualquier aparato.
24. No bloquee las aberturas de entrada de aire.
25. Utilice las especificaciones de presión correctas; consulte la página 13.
26. El cilindro de propano o gas LP no se incluye. Use un cilindro de 9 kg (20 lb) etiquetado con la palabra "propano". El sistema de suministro del cilindro debe ser adecuado para la extracción de vapores. El cilindro debe incluir un anillo para proteger la válvula del cilindro. El cilindro debe contar con una válvula de cierre con terminación en forma de salida de la válvula del cilindro de suministro de propano o gas LP especificada, según sea aplicable, par la conexión N° 510 en el *E estándar para conexiones de entrada y de la boca de salida de la válvula de cilindros de gas comprimido*, ANSI/CGA-V-1, o para la conexión N° 600 en la *Conexión estándar limitada de la boca de salida de la válvula del cilindro para la serie de propano con válvula pequeña* de la Asociación de gas comprimido, o una combinación de válvula de cilindro de gas de propano o gas LP y conjunto de desconexión rápida que cumpla con 1.16.5-c y un dispositivo de descarga de seguridad que tenga comunicación directa con el espacio de vapor del cilindro.

IDENTIFICACIÓN DEL PRODUCTO

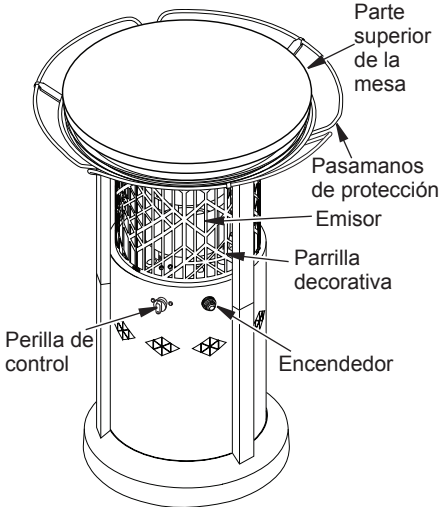


Figura 2 - Calentador infrarrojo para patio tipo mesa

DESEMPAQUE

1. Retire todos los materiales en los que se empacó el calentador para el envío.
2. Saque todas las piezas de la caja.
3. Revise todas las piezas en busca de daños durante el transporte. Si el calentador está dañado, infórmelo de inmediato al distribuidor donde lo compró.

ENSAMBLE

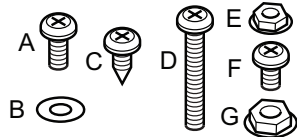
Tiempo de ensamble estimado: 45 minutos

Herramientas necesarias:

- Destornillador Phillips N° 2
- Llave española de 9/16"

El paquete de tornillería que se incluye con el calentador podría incluir más piezas que las necesarias para ensamblar el calentador. Las piezas se identifican mediante una letra designada a lo largo de las instrucciones de ensamble. El paquete de ferretería contiene lo siguiente (las cantidades se muestran entre paréntesis):

Descripción	N° de pieza
A Tornillo de 1" (6)	119619-04
B Arandela plana de 5 mm (6)	119600-02
C Tornillo de 3/8" (59)	119620-02
D Tornillo de 1 1/2" (6)	119619-05
E Tuerca hexagonal 5 mm (6)	NPC-3C
F Tornillo para metal de 3/8" (6)	119742-01
G Tuerca hexagonal de M6 (6)	119743-01



1. Ubique la base del calentador tipo mesa y los tres pilares de soporte de la mesa con orificios en un lado solamente. Asegurándose de que los orificios de los pilares estén orientados como se muestra en la figura 3, deslice los pilares de soporte hacia dentro de la base y fíjelos con tornillos (A) y tuercas (B) a través de los orificios inferiores, como se muestra.

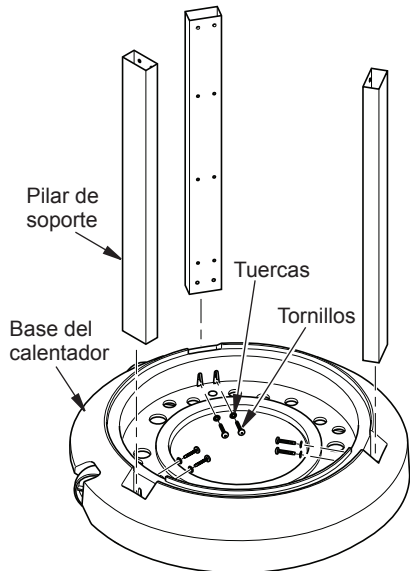


Figura 3 - Instalación de los pilares de soporte en la base

ENSAMBLE

Continuación

- Coloque el panel inferior y el panel de control de la mesa sobre el conjunto de la base, como se muestra en la figura 4. Asegúrese de que el panel inferior de la mesa esté en el lado de la base que tiene las ruedas. Utilizando únicamente los 3 grupos de orificios inferiores, fije los paneles a los pilares de soporte con 12 tornillos (C) (consulte la figura 4). Fije el cable de conexión a tierra del encendedor con 1 tornillo como se muestra en la figura 4 (el encendedor instalado en el paso 4).
- Los conjuntos superiores de tornillos (C) se insertarán a través de los paneles, a través de los pilares de soporte y luego hacia dentro de los conectores de soporte de los pilares, como se muestra en la figura 4 (tornillo 6). Asegúrese de que los conectores de soporte de los pilares estén orientados como se muestra en la figura 4. La parte lateral de los conectores con un orificio debe estar orientada hacia afuera del calentador y el orificio debe estar en la parte superior. Para los conectores de soporte que están más cerca de la abertura de la parte anterior, el segundo tornillo se instalará sólo a través de los paneles y de los conectores de soporte. El segundo tornillo asegurará al conector (consulte la figura 4).
- Instale el encendedor electrónico a través del panel de control, como se muestra en la figura 4. Ajústelo a presión en su lugar. Atornille el anillo de retención y la tapa del encendedor desde el panel exterior.
- Quite las ataduras de los cables y el material de empaque del regulador ubicado debajo de la placa de soporte del quemador.

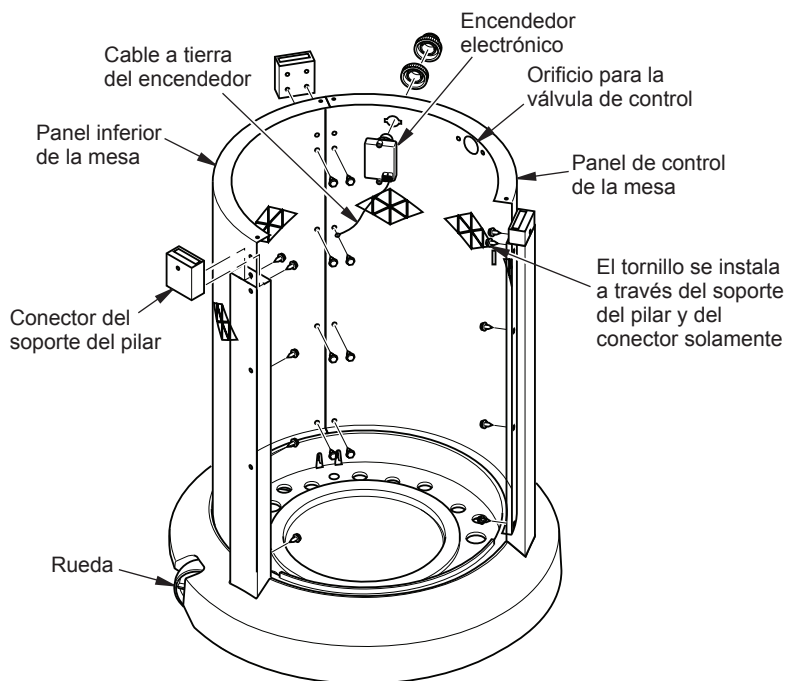


Figura 4 - Fijación de los paneles laterales y del encendedor

ENSAMBLE

Continuación

6. Coloque la placa de soporte del quemador sobre los paneles, mientras inserta la válvula de control con cuidado a través del orificio del panel de control.
7. Fije el soporte de la válvula de control al panel de control de la mesa con 2 tornillos (C). Fije de control y la perilla de control a la válvula de control desde la parte exterior del calentador. Consulte la figura 5.
8. Fije la placa de soporte del quemador a los paneles con 4 tornillos (C) (consulte la figura 5).
9. Fije las mallas del emisor a los soportes del emisor con 4 tornillos (C), como se muestra en la figura 5.
10. Fije la tapa del emisor a los soportes del emisor con 2 tornillos (C), como se muestra en la figura 5.
11. Fije el conjunto de emisor a la placa de soporte del quemador con 2 tornillos (C) (consulte la figura 5).

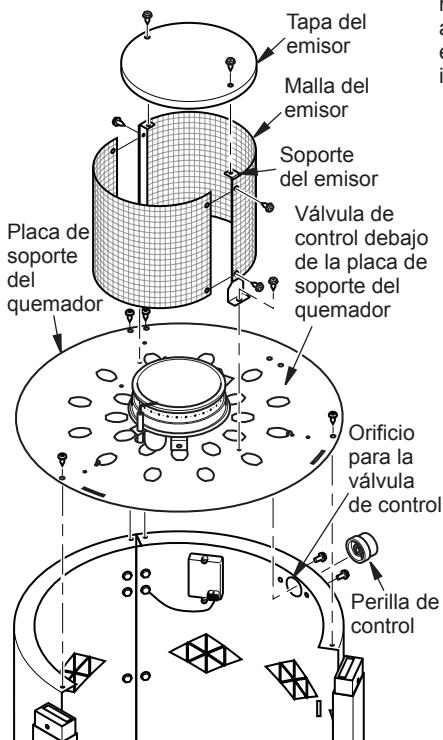


Figura 5 - Ensamblaje del emisor y fijación de la placa de soporte del quemador

12. Solamente para modelo TD109: Coloque las 3 piezas de la malla alrededor de los pilares de la parrilla. Todos los modelos: Coloque las 3 piezas de la parrilla decorativa alrededor de los pilares de la parrilla. Fije a los pilares de las mismas con 4 tornillos (C) por cada parrilla, como se muestra en la figura 6.
13. Fije el conjunto de parrilla a la placa de soporte del quemador usando 3 tornillos (C), uno a través de la parte inferior de cada pilar de la parrilla decorativa (consulte la figura 7).

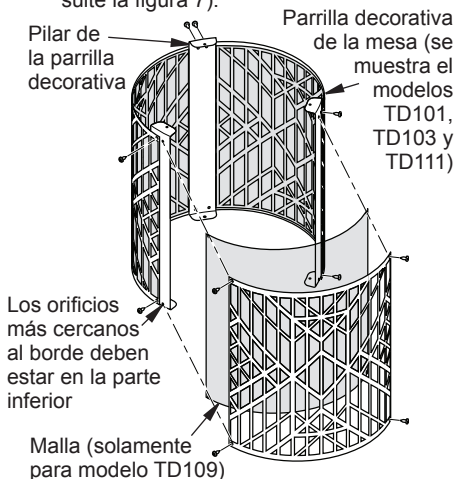


Figura 6 - Conjunto de parrilla decorativa y pilar de parrilla

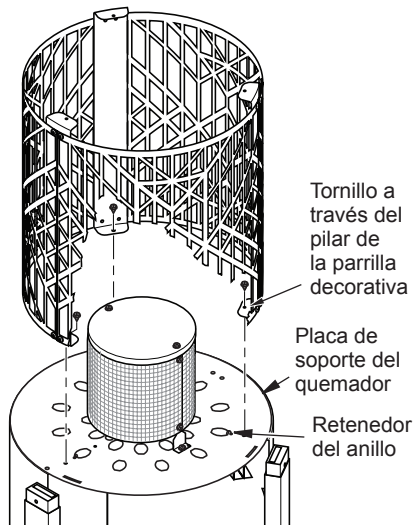


Figura 7 - Fijación del conjunto de parrilla al calentador

ENSAMBLE

Continuación

- Coloque un deflector sobre los pilares decorativos de la parrilla. Fije el deflector y los soportes a los pilares con 1 tornillo (C) a través de cada una de los tres soportes. Consulte la figura 8.
- Coloque el segundo deflector sobre el primero. Fije el deflector a los soportes con 2 tornillos (C) a través de la parte superior de cada soporte (consulte la figura 8).
- Coloque la parte superior de la mesa boca abajo sobre una manta o una pieza de cartón para evitar que se raye. Asegurándose de que los orificios en los pilares estén orientados como se muestra en la figura 9, instale los 3 pilares de soporte restantes de la mesa como se muestra. Fije los pilares a la parte superior de la mesa con 2 tornillos (D) y 2 tuercas (E) cada uno.
- Voltee el conjunto de soporte de la mesa hacia arriba. Deslice los pilares de soporte a través de las aberturas del conjunto de deflector (consulte la figura 10). Coloque los pilares de soporte superiores sobre los conectores de soporte de los pilares. Asegure cada conjunto con 1 tornillo (C) en cada uno (consulte la figura 10).

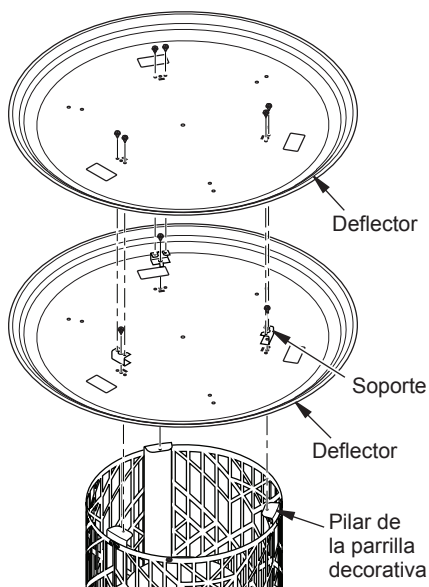


Figura 8 - Conjunto de deflector

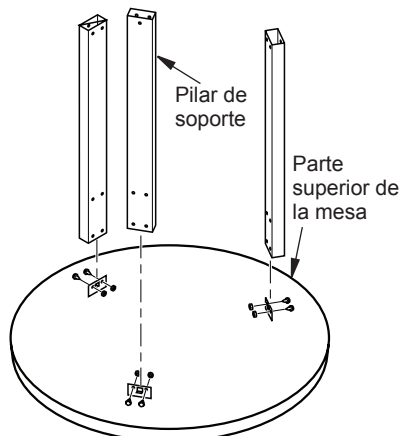


Figura 9 - Conjunto de la parte superior de la mesa

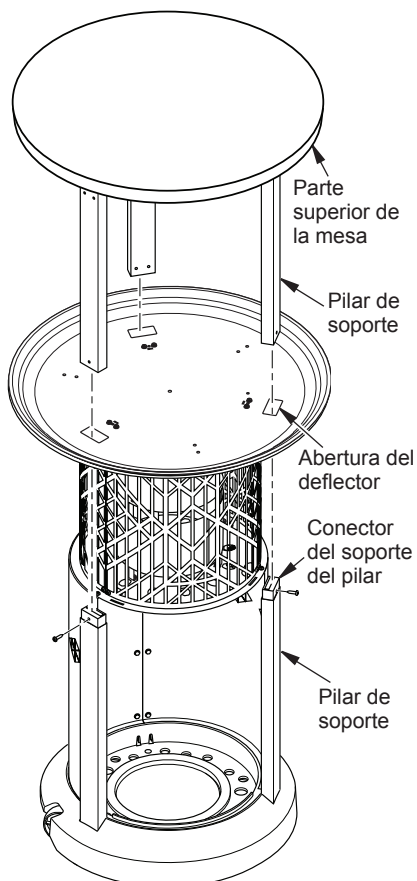


Figura 10 - Instalación de la parte superior de la mesa

ENSAMBLE

Continuación

18. Deslice las abrazaderas de soporte a través de los pasamanos de protección como se muestra en la figura 11. Asegúrese de que las abrazaderas se curven hacia abajo.
19. Inserte los pasamanos de protección en los orificios de los pilares de soporte (consulte la figura 11). Los pasamanos de protección entran completamente en los pilares de soporte. Fije 1 tuerca (G) a los extremos de los pasamanos de protección como se muestra en la figura 11.
20. Fije las abrazaderas de soporte a la parte inferior del deflector utilizando 2 tornillos (F) en cada una como se muestra en la figura 11.
21. Conecte el cable negro del encendedor y el electrodo ubicados debajo de la placa de soporte del quemador al encendedor electrónico. Instale la batería en el encendedor, como se muestra en la página 16.
22. Coloque los retenedores de los anillos (ganchos en "S") a través de los orificios en la placa de soporte del quemador como se muestra en la figura 7, en la página 7.
23. Conecte el regulador al cilindro de gas, consulte *Funcionamiento* en la página 10. El cilindro de gas se asentará dentro del conjunto de gabinete.
24. Revise que no haya fugas. Consulte *Verificación de fugas* en la página 10.
25. Cuelgue el panel de la puerta de la mesa de las ranuras en la placa de soporte del quemador para cubrir la parte interior del calentador.

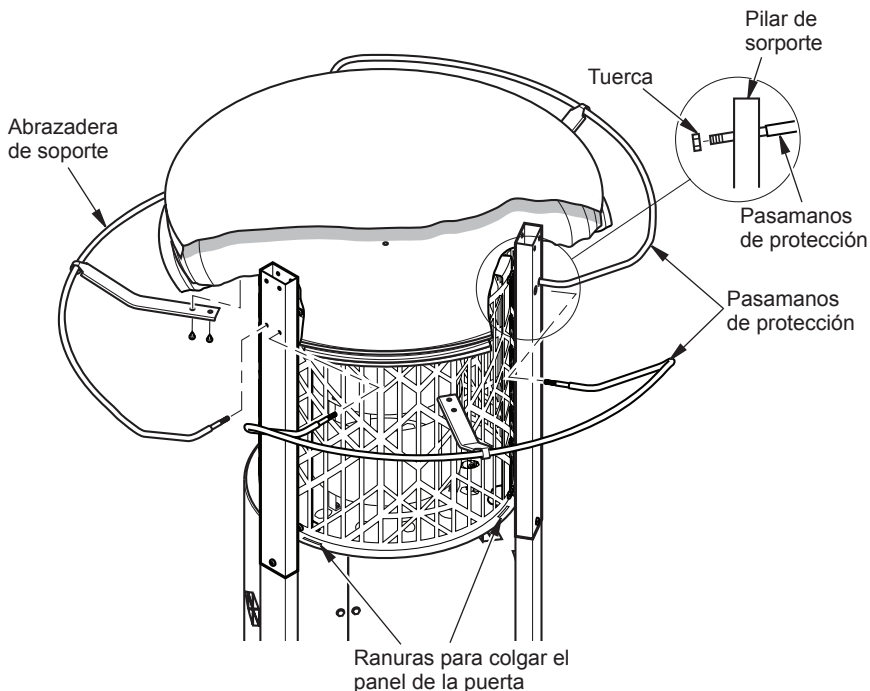


Figura 11 - Conjunto de pasamanos de protección (la parte superior y los deflectores se eliminaron para propósitos de claridad)

FUNCIONAMIENTO

Use un cilindro de 9 kg (20 lb) de propano o gas LP solamente (no incluido). Consulte la información de seguridad para seleccionar el cilindro adecuado. Conecte el conjunto de manguera-regulador al cilindro de propano (consulte la figura 12). La manguera ya debe estar conectada al calentador. Cuando conecte el conjunto de regulador a la válvula del cilindro, apriete la tuerca manualmente en el sentido de las manecillas del reloj hasta que se detenga definitivamente. NO utilice una llave para apretarla. El uso de una llave podría dañar las tuercas acopladoras de cierre rápido y ocasionar una situación peligrosa.

Guíe la cadena de retención para que pase a través de por lo menos una de las manijas del tanque de propano o gas LP (consulte la figura 12). Asegúrese de colocar la cadena a través de la manija del tanque y NO alrededor de la válvula del tanque. La cadena no debe interferir con la válvula. Fije los ganchos de ambos extremos de las cadenas a los retenedores de los anillos instalados en la placa de soporte del quemador, consulte figura 7, página 7.

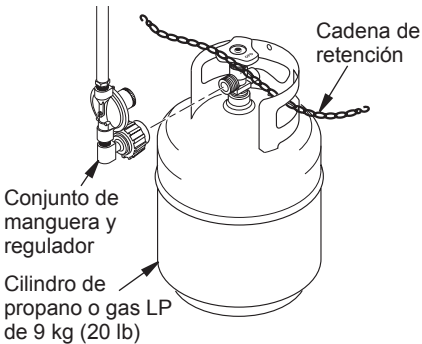


Figura 12 - Conexión del conjunto de manguera-regulador al cilindro de propano o gas LP

VERIFICACIÓN DE FUGAS

1. Gire la válvula del calentador a la posición APAGADO.
2. Gire la válvula de suministro del cilindro completamente en sentido contrario al de las manecillas del reloj, a la posición ABIERTO.
3. Utilice una solución detectora de fugas no corrosiva para revisar si hay fugas en la conexión antes de intentar encender el calentador. Si se encuentra una fuga, gire la válvula del cilindro a la posición CERRADO y no lo use hasta que todas las fugas se hayan corregido.

INSTRUCCIONES DE ENCENDIDO

1. Presione la perilla de control del calentador y gírela en sentido contrario al de las manecillas del reloj hasta la posición INICIAR.
2. Presione la perilla de control y oprima el botón del encendedor. Repita hasta que el calentador se encienda.
3. Continúe presionando la perilla durante aproximadamente 30 segundos. El calentador debe permanecer encendido en la configuración de calor BAJO.
4. Para obtener más calor, presione la perilla y gírela en sentido contrario al de las manecillas del reloj, a la posición ALTO.
5. Si va a encender el calentador de nuevo, espere 5 minutos para que el calentador se enfríe y el gas se disperse, y luego siga los pasos 1 a 3.

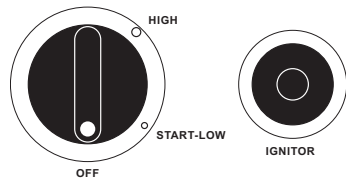


Figura 13 - Controles del calentador

INSTRUCCIONES DE APAGADO

1. Presione la perilla de control y gírela en el sentido de las manecillas del reloj a la posición APAGADO.
2. Cierre la válvula del cilindro de propano o gas LP (gire la perilla en el sentido de las manecillas del reloj).

FUNCIONAMIENTO DEL QUEMADOR

Inspeccione el quemador visualmente para verificar que funcione correctamente. El patrón correcto del quemador es con llamas azules con algo de amarillo en las puntas, y la mitad superior del emisor brilla de color rojo.

Un patrón incorrecto del quemador son llamas grandes de más de la mitad de la altura del emisor saliendo del mismo. Las llamas deben permanecer contenidas dentro del emisor.

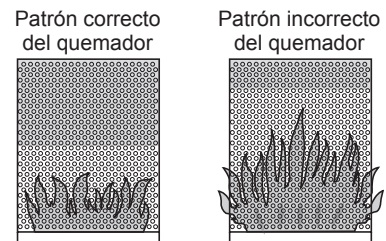


Figura 14 - Funcionamiento del quemador

SOLUCIÓN DE PROBLEMAS

⚠️ ADVERTENCIA: nunca intente dar servicio al calentador mientras está conectado al suministro de propano o gas LP, si está funcionando o si está caliente. Pueden producirse quemaduras graves.

SÍNTOMA	CAUSA POSIBLE	REMEDIO
El quemador no se enciende	<ol style="list-style-type: none"> 1. La válvula del suministro de propano o gas LP está cerrada en el cilindro de propano o gas LP 2. Hay una obstrucción en el quemador u orificio o bien en el conjunto del codo o manguera y el regulador 3. Batería no instalada, batería baja o no instalada correctamente 	<ol style="list-style-type: none"> 1. Abra la válvula del suministro de propano o gas LP lentamente 2. Limpie el quemador/orificio o reemplace el conjunto de codo/manguera y el regulador 3. Instale una batería alcalina nueva en el encendedor electrónico. Compruebe que la batería esté instalada correctamente. Consulte la página 16
El quemador se enciende, pero se apaga cuando se suelta el botón de la válvula de control automático	<ol style="list-style-type: none"> 1. El tiempo de calentamiento no es suficiente 2. La presión de gas está baja 3. El termopar está flojo o se debe reemplazar 4. La válvula de control automático se debe reemplazar 5. La abertura del termopar es demasiado grande 	<ol style="list-style-type: none"> 1. Vuelva encender, mantenga el botón de la válvula de control automático oprimido durante 30 segundos 2. Verifique que el cilindro de propano o gas LP tenga el suministro de gas adecuado 3. Apriete la conexión o reemplace el termopar. 4. Reemplace el conjunto de válvula de control automático 5. La punta del termopar debe tocar apenas el material del emisor. Afloje los tornillos del soporte para mover el termopar y acercarlo al quemador. Tenga cuidado para que el encendedor no lo toque. Mantenga la abertura de 0.508 cm (0.20")
El factor de consumo máximo es bajo	<ol style="list-style-type: none"> 1. La presión de gas está baja 2. El suministro de combustible está bajo 3. Hay una restricción en el quemador u orificio o en el conjunto del codo o manguera y el regulador 	<ol style="list-style-type: none"> 1. Verifique el suministro de gas; verifique la salida del regulador 2. Consulte al proveedor de propano o gas LP 3. Limpie el quemador/orificio o reemplace el conjunto de codo/manguera y el regulador

ALMACENAMIENTO

⚠️ PRECAUCIÓN: desconecte el calentador del cilindro de suministro de propano o gas LP.

1. No guarde el calentador mientras está conectado al cilindro de propano o gas LP. Cierre la válvula del cilindro. Desmonte el conjunto de manguera-regulador del cilindro de propano o gas LP, girando la tuerca del conector del gas en el sentido de las manecillas del reloj.
2. El almacenamiento del calentador en interiores está permitido sólo si el cilindro está desconectado y desmontado del aparato.
3. Guarde el cilindro de propano o gas LP de forma segura. Refiérase al capítulo 5 del *Estándar para el almacenamiento y el manejo de gases licuados de petróleo, ANSI/NFPA 58*. Siga todos los códigos locales. Los cilindros se deben guardar en exteriores, en un área bien ventilada fuera del alcance de los niños. Los cilindros desconectados deben tener tapones roscados de válvula instalados ajustadamente, y no se deben guardar en un edificio, en un garaje ni en ninguna otra área cerrada. Nunca guarde cilindros de propano cerca de fuentes de calor intenso, de llamas al descubierto o donde la temperatura sea superior a 38 °C (100 °F).
4. Guárdelos en un lugar seco, limpio y seguro.

MANTENIMIENTO

⚠️ ADVERTENCIA: nunca intente dar servicio al calentador mientras está conectado al suministro de propano o gas LP, si está funcionando o si está caliente. Pueden producirse quemaduras graves. Todas las protecciones u otros dispositivos de seguridad que se hayan retirado para dar servicio al calentador se deberán volver a colocar antes de operarlo.

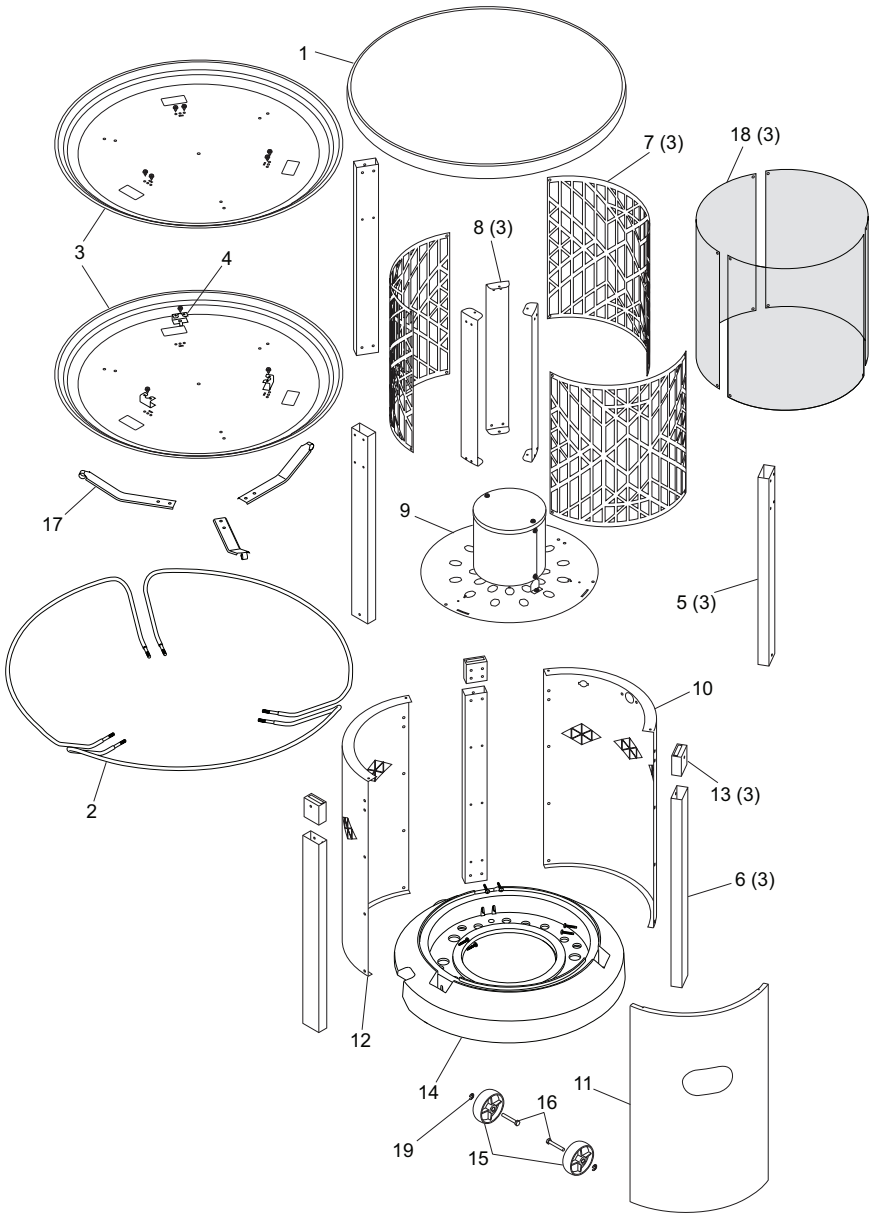
1. Mantenga el calentador limpio. Quite todos los residuos de las aberturas de ventilación.
2. Inspeccione al calentador antes de cada uso. Revise las conexiones en busca de fugas. Aplique una mezcla de jabón líquido y agua en todas las conexiones. La formación de burbujas indica una fuga que se debe corregir. Repare todas las fugas inmediatamente.
3. Inspeccione el conjunto de manguera-regulador antes de cada uso. Si la manguera está muy desgastada o rota, reemplácela inmediatamente. Por lo menos una vez al año, desmonte el conjunto de manguera-regulador del calentador para inspeccionar toda la longitud de la manguera.
4. Las arañas y los insectos pueden crear una condición peligrosa que podría dañar el calentador o hacerlo inseguro. Mantenga el área del quemador libre de arañas, telarañas e insectos.
5. Haga que una persona de servicio calificada inspeccione el calentador una vez al año.

ESPECIFICACIONES

- Clasificación: Alta - 16,000 BTU/h (4.69 kw)
Baja - 9,500 BTU/h (2.78 kw)
- Combustible: vapor de propano solamente
- Consumo de combustible/hora: mín. 0.39 litros (0.10 gal), máx. 0.66 litros (0.17 gal)
Mín. 0.20 kg (0.44 lb), Máx 0.33 kg (0.74 lb)
- Presión de suministro (al regulador): máxima - 1,379 kPa (200 PSI)
Mínima, para ajuste de entrada - 34.5 kPa (5 PSI)
- Presión del tubo múltiple: alta - 75.84 kPa (11 PSI), baja - 73.08 kPa (10.6 PSI)
- Abertura del encendedor: 0.305 cm (0.120")
- Temperatura mínima: -29 °C (-20 °F) Temperatura del aire circundante
- Tamaño del calentador (Largo x Ancho x Altura): 0.77 x 0.77 x 1.1 m (30.5" x 30.5" x 43.5")
- Tamaño de la caja de cartón (Largo x Ancho x Altura):
0.65 x 0.65 x 0.41 m (25.75" x 25.75" x 16.25")
- Peso del calentador: 33.1 kg (73 lb)
- Peso de envío: 38.1 kg (84 lb)

PIEZAS

MODELOS TD101, TD103, TD109 Y TD111



PIEZAS

Esta lista contiene las piezas reemplazables utilizadas en el calentador. Cuando ordene piezas, siga las instrucciones que se indican en *Piezas de repuesto*, en la página 17.

N°	N° DE PARTE	DESCRIPCIÓN	TD101, TD111	TD103	TD109	CANT.
1	118858-01	Parte superior de la mesa	•	•	•	1
	118858-02	Parte superior de la mesa	•	•	•	1
2	118866-01	Pasamanos de protección	•	•	•	3
3	118856-01	Deflector	•	•	•	2
4	118871-01	Soporte espaciador del deflector	•	•	•	3
5	118850-01	Pilar superior de soporte de la mesa	•	•	•	3
6	118850-02	Pilar inferior de soporte de la mesa	•	•	•	3
7	118855-01	Parrilla decorativa de la mesa, Mission	•	•	•	3
	118855-02	Parrilla decorativa de la mesa, Ornate	•	•	•	3
8	118854-01	Pilar de la parrilla decorativa	•	•	•	3
9	—	Conjunto de emisor, consulte la página 16	•	•	•	1
10	118859-01	Panel de control de la mesa	•	•	•	1
	118859-02	Panel de control de la mesa	•	•	•	1
11	118860-01	Panel de la puerta de la mesa	•	•	•	1
	118860-02	Panel de la puerta de la mesa	•	•	•	1
12	118851-01	Panel inferior de la mesa	•	•	•	1
	118851-02	Panel inferior de la mesa	•	•	•	1
13	119309-01	Conector del soporte del pilar	•	•	•	3
14	118848-01	Base del calentador tipo mesa	•	•	•	1
15	118849-01	Rueda	•	•	•	2
16	118862-01	Eje de las ruedas de la mesa	•	•	•	2
17	119625-01	Abrazadera de soporte del pasamanos de protección	•	•	•	3
18	119940-01	Malla	•	•	•	3
19	118863-01	Retenedor del anillo	•	•	•	2
PIEZAS DISPONIBLES (NO SE MUESTRAN)						
	118988-01	Etiqueta adhesiva de advertencia	•	•	•	1
	118989-01	Etiqueta adhesiva de información general	•	•	•	1
	118990-05	Etiqueta adhesiva de posición de control, en inglés	•	•	•	1
	118990-03	Etiqueta adhesiva de posición de control, en español/ francés	•	•	•	1
	119102-01	Conjunto de regulador y manguera	•	•	•	1
	119103-01	Bolsa de tornillería para el ensamble	•	•	•	1
	119110-01	Cadena de retención del tanque de propano	•	•	•	1
	120574-01	Cadena de retención de la retenedor del anillo	•	•	•	2
	119422-01	Funda opcional* (no se muestra)	•	•	•	1

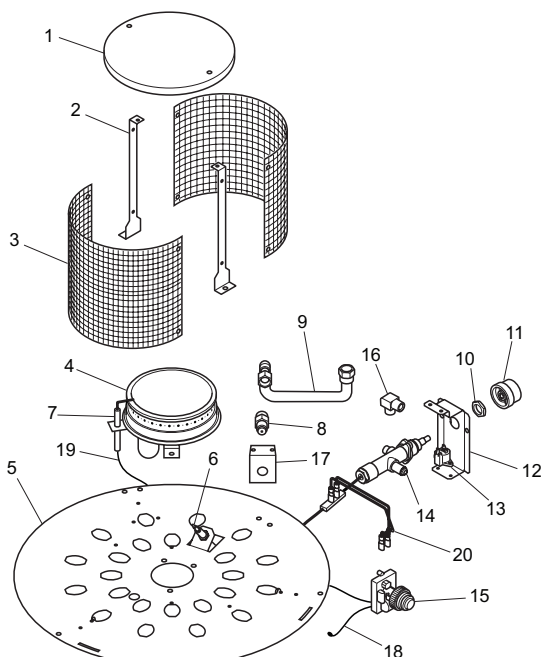
* Disponible como accesorio para los modelos TD101, TD103 y TD111.

PIEZAS

QUEMADOR

MODELOS TD101, TD103, TD109 Y TD111

Esta lista contiene las piezas reemplazables utilizadas en el calentador. Cuando ordene piezas, siga las instrucciones que se indican en *Piezas de repuesto*, en la página 17.



Instale la batería como se muestra en esta figura



Batería AA polo negativo hacia arriba

N°	N° DE PARTE	DESCRIPCIÓN	CANT.
1	119281-01	Tapa del emisor	1
2	119280-01	Soporte del emisor	2
3	118870-01	Malla del emisor	2
4	118864-01	Quemador de mesa	1
5	118852-01	Placa de soporte del quemador	1
6	119104-01	Termopar con el conjunto de cables del interruptor de seguridad en caso de vuelcos	1
	100898-01	Tuerca del termopar	2
7	119107-01	Electrodo del encendedor	1
8	119106-01	Inyector	1
9	118869-01	Línea flexible del quemador	1
10	098508-01	Tuerca de la válvula	1
11	120575-01	Perilla	1
12	118867-01	Placa de montaje de la válvula	1
13	108498-01	Interruptor de seguridad en caso de vuelcos	1
14	118868-01	Válvula de control	1
15	111435-01	Encendedor electrónico	1
16	119557-01	Conexión de codo	1
17	119610-01	Soporte del inyector	1
18	119611-01	Cable de conexión a tierra	1
19	120413-01	Cable del encendedor	1
20	120412-01	Cable de interruptor de seguridad en caso de vuelcos	2

PIEZAS DE REPUESTO

⚠ ADVERTENCIA: use sólo piezas de repuesto originales. Este calentador debe usar piezas diseñadas específicamente. No las sustituya ni use piezas genéricas. El uso de piezas de repuesto inadecuadas puede ocasionar lesiones graves o fatales. Esto también protegerá la cobertura de su garantía para piezas reemplazadas con garantía.

PIEZAS CON GARANTÍA

Comuníquese con los distribuidores autorizados de este producto. Si ellos no pueden suministrar las piezas de repuesto originales, comuníquese con la central de piezas más cercana o llame al Departamento de servicio técnico de DESA Heating Products al 1-866-672-6040.

Cuando llame a DESA Heating Products, tenga listo:

- su nombre
- su dirección
- los números de modelo y de serie de su calentador
- la fecha de compra
- la falla del calentador

En la mayoría de los casos, le pediremos que devuelva la pieza a la fábrica.

PIEZAS SIN GARANTÍA

Comuníquese con los distribuidores autorizados de este producto. Si ellos no pueden suministrar piezas de repuesto originales, comuníquese con la Central de piezas más cercana (enumeradas en el folleto de Centros de servicio autorizados incluido con el calentador) o llame a DESA Heating Products (en EE.UU.) al 1-866-672-6040 o a DESA Industries (en Canadá) al 1-416-255-5333 para obtener información de referencia.

Cuando llame a DESA Heating Products, tenga listo:

- el número del modelo de su calentador
- el número de la pieza de repuesto

SERVICIO TÉCNICO

Es posible que tenga preguntas adicionales sobre la instalación, el funcionamiento o la solución de problemas. Si es así, comuníquese con el Departamento de servicio técnico de DESA Heating Products al 1-866-672-6040. Al llamar tenga a la mano los números de modelo y serie de su calentador.

También puede visitar el sitio web de servicio técnico de DESA Heating Products en www.desatech.com.

ACCESORIOS

Adquiera accesorios y piezas con su distribuidor o centro de servicio más cercano. Si su distribuidor o centro de servicio no le puede suministrar algún accesorio o pieza de repuesto, comuníquese con la Central de piezas más cercana (están listadas en el folleto de Centros de servicio autorizados incluido por separado), o llame a DESA Heating Products (en los EE.UU.) al 1-866-672-6040 o a DESA Industries (en Canadá) al 1-416-255-5333 para obtener información de referencia. También puede escribir a la dirección que se encuentra en la última página de este manual.

FUNDA DEL CALENTADOR PARA PATIO 119422-01

Se puede adquirir una funda opcional para proteger el calentador para patio. Fabricada en poliéster negro con el logotipo de Outdoor Leisure.

La funda opcional del calentador para patio se puede ordenar en este sitio web:

www.aboutoutdoorleisure.com

Haga clic en "Online Outlet" (Tienda en línea).

Haga clic en "Patio Heaters" (Calentadores para patio).

Haga clic en "Accessories" (Accesorios).

GARANTÍA

GARANTÍA LIMITADA

DESA Heating, LLC garantiza que este producto y todas sus piezas están libres de defectos en los materiales y en la mano de obra por un (1) año para uso residencial o por 90 días para uso comercial o industrial, a partir de la fecha de la primera compra, siempre y cuando se haya operado y mantenido de acuerdo con las instrucciones. Esta garantía se extiende solamente al comprador minorista original, cuando se proporciona un comprobante de compra.

Esta garantía sólo cubre el costo de las piezas y la mano de obra requeridas para restaurar el producto a una condición de operación correcta. Los costos de transporte e incidentales asociados con reparaciones bajo garantía no son reembolsables mediante la misma.

El servicio de garantía está disponible solamente mediante distribuidores y centros de servicio autorizados.

Esta garantía no cubre defectos ocasionados por mal uso, abuso, negligencia, accidentes, falta de mantenimiento adecuado, desgaste normal, alteración, modificación, manipulación, combustibles contaminados, reparación usando piezas inadecuadas o reparación realizada por cualquiera que no sea un distribuidor o centro de servicio autorizado. El mantenimiento de rutina es responsabilidad del propietario.

ESTA GARANTÍA EXPRESA SE OTORGA EN LUGAR DE CUALQUIER OTRA GARANTÍA, YA SEA EXPRESA O IMPLÍCITA, INCLUYENDO GARANTÍAS DE COMERCIALIZACIÓN E IDONEIDAD PARA UN PROPÓSITO PARTICULAR.

DESA Heating, LLC no asume ninguna responsabilidad por daños indirectos, incidentales o consecuentes. Algunos estados no permiten la exclusión o la limitación de daños incidentales o consecuentes, o es posible que las limitaciones o exclusiones no sean aplicables a usted. Esta Garantía limitada le otorga derechos legales específicos y posiblemente tenga otros derechos que varían de un estado a otro.

Esta garantía no cubre la decoloración debido al funcionamiento del calentador. La única garantía aplicable es nuestra garantía estándar por escrito. No otorgamos ninguna otra garantía, expresa o implícita.

SERVICIO DE GARANTÍA

Si su calentador requiere servicio, regréselo al centro de servicio autorizado más cercano. Se debe presentar la prueba de compra junto con el calentador. El calentador será inspeccionado. Un defecto podría ser ocasionado por materiales o mano de obra defectuosos. Si es así, DESA Heating, LLC reparará o reemplazará el calentador sin ningún cargo.

SERVICIO DE REPARACIÓN

Devuelva el calentador al centro de servicio autorizado más cercano. Cada centro de servicio tiene propietario y operación independientes. Las reparaciones no cubiertas por la garantía se cobrarán a precio estándar. Nos reservamos el derecho de modificar estas especificaciones en cualquier momento sin previo aviso.

Para obtener información sobre esta garantía, escriba a:



DESA Heating, LLC
2701 Industrial Drive
P.O. Box 90004
Bowling Green, KY 42102-9004
www.desatech.com
1-866-672-6040



INDUSTRIES OF CANADA, INC.
82 Akron Road
Toronto, Ontario
M8W 1T2
www.desatech.com

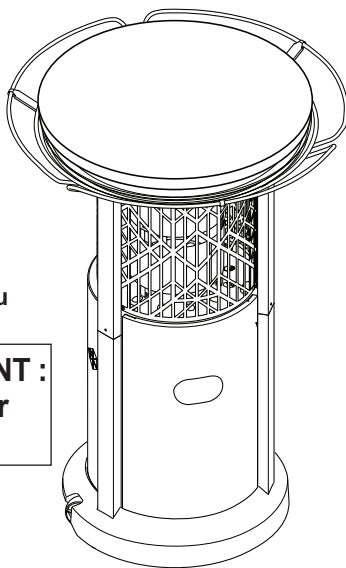


APPAREIL DE CHAUFFAGE DE PATIO À INFRAROUGE AVEC TABLE MANUEL D'UTILISATION

MODÈLES TD101, TD103, TD109 ET TD111

Réglages de
température variable :
Inférieure : 9 500 Btu
Supérieure : 16 000 Btu

⚠ AVERTISSEMENT :
Usage extérieur
seulement



⚠ AVERTISSEMENT : Lisez et comprenez ce manuel avant d'assembler, d'allumer ou de réparer cet appareil de chauffage. Une mauvaise utilisation de l'appareil de chauffage peut causer des blessures graves, des dommages matériels et même la mort. Conservez ce manuel pour référence future.

INSTALLATEUR : laissez ce manuel avec l'appareil.
UTILISATEUR : conservez ce manuel pour référence future.

POUR VOTRE PROTECTION : N'entreposez pas et n'utilisez pas d'essence ou d'autres vapeurs et liquides inflammables à proximité de cet appareil ou de tout autre appareil.

POUR VOTRE PROTECTION
Si une odeur de gaz se dégage :

1. Coupez l'approvisionnement en gaz à l'appareil.
2. Éteignez toute flamme.
3. Si l'odeur persiste, appelez immédiatement la compagnie de gaz.

À remplir pour vos dossiers

Numéro de modèle _____
(situé sur le panneau latéral)

Numéro de série _____
(situé sur le panneau latéral)

Date d'achat _____

TABLE DES MATIÈRES

Sécurité	2	Entretien	12
Identification du produit	5	Spécifications	13
Déballage	5	Pièces	14
Assemblage	5	Pièces de rechange	17
Fonctionnement	10	Service technique	17
Dépannage	11	Accessoires	17
Entreposage	12	Garantie	Dos

SÉCURITÉ

⚠ AVERTISSEMENT : Cet appareil contient et/ou produit des produits chimiques déterminés par l'État de la Californie comme cancérigènes et pouvant causer des malformations congénitales et d'autres troubles liés à la reproduction.

⚠ AVERTISSEMENT : Danger de feu, de brûlure, d'inhalation et d'explosion. Conservez les combustibles solides comme les matériaux de construction, le bois, les revêtements muraux d'extérieur en vinyle, le papier et le carton, à une distance sûre de l'appareil conformément aux instructions. N'utilisez jamais l'appareil de chauffage dans des endroits qui contiennent ou pourraient contenir des combustibles volatils ou atmosphériques ou des produits tels que de l'essence, des solvants, des diluants pour peinture, des particules de poussière ou des produits chimiques inconnus.

⚠ AVERTISSEMENT : Une installation, un réglage, une modification, une réparation ou un entretien inapproprié peuvent causer des blessures, des dommages matériels ou la mort. Lisez complètement les instructions sur l'installation, l'utilisation et l'entretien avant d'installer ou de réparer cet appareil.

⚠ AVERTISSEMENT : Utilisation à l'extérieur seulement dans un endroit bien ventilé. N'utilisez pas cet appareil de chauffage à l'intérieur, dans un édifice, dans un garage, ni dans un endroit fermé ou non aéré.

Cet appareil de chauffage est prévu pour être utilisé en tant qu'appareil de chauffage de patio à infrarouge conformément aux exigences américaines CSA 5.90 sur les appareils de chauffage de patio à infrarouge et canadiennes CAN 1-2.23 pour les appareils de chauffage portatifs à infrarouge. D'autres normes régissent l'utilisation des gaz combustibles et des appareils de chauffage pour des utilisations particulières. Les autorités locales peuvent vous conseiller à propos de ces normes. La fonction principale des appareils de chauffage de patio extérieurs est la production de chaleur pour des espaces résidentiels ou autres. Utilisés correctement, ces appareils de chauffage représentent une source de chaleur économique et sûre.

Nous ne pouvons pas prévoir toutes les utilisations possibles de nos appareils de chauffage. VÉRIFIEZ AUPRÈS DE VOTRE RESPONSABLE LOCAL DE LA SÉCURITÉ-INCENDIE SI VOUS AVEZ DES QUESTIONS RELATIVES À L'UTILISATION DE L'APPAREIL DE CHAUFFAGE.

Empoisonnement au monoxyde de carbone : certaines personnes sont plus sensibles au monoxyde de carbone que d'autres. Les premiers symptômes d'un empoisonnement au monoxyde de carbone ressemblent à la grippe avec des maux de tête, du vertige ou de la nausée. Si vous avez ces symptômes, il se pourrait que l'appareil de chauffage ne fonctionne pas bien. **Respirez tout de suite de l'air frais !** Faites réparer l'appareil de chauffage.

Propane/GPL : le propane et le gaz de pétrole liquéfié n'ont pas d'odeur. Un produit odorant est ajouté au propane et au GPL. Cette odeur vous permet de détecter une fuite de propane ou de GPL. Cependant, cette odeur ajoutée au propane ou au GPL peut se dissiper. Du propane ou du GPL peuvent être présents même s'il n'y a pas d'odeur.

SÉCURITÉS

suite

Lisez et comprenez tous les avertissements. Conservez ce manuel pour consultation future. Il vous permettra de faire fonctionner cet appareil de chauffage correctement et en toute sécurité.

Toute grille ou tout autre dispositif de protection enlevé pour effectuer une réparation doit être remis en place avant de faire fonctionner l'appareil de chauffage.

Les surfaces de l'appareil de chauffage deviennent brûlantes pendant son fonctionnement. Afin d'éviter de vous brûler et que vos vêtements ne prennent feu, tenez-vous à une bonne distance de l'appareil.

Surveillez de près les jeunes enfants lorsqu'ils sont à proximité de l'appareil de chauffage.

Les vêtements et autres matériaux inflammables ne doivent pas être suspendus au dessus de l'appareil de chauffage ou placés près ou au-dessus de ce dernier.

L'installation et les réparations doivent être effectuées par du personnel qualifié. L'appareil de chauffage doit être inspecté par un technicien compétent avant d'être utilisé et au moins une fois l'an. Un nettoyage plus fréquent peut s'avérer nécessaire. Il est essentiel de garder propres les compartiments des commandes, les brûleurs ainsi que les conduits d'air de l'appareil de chauffage.

⚠ ATTENTION ! Utilisez le détendeur de pression de gaz fourni avec cet appareil. Ce détendeur est réglé pour une pression de sortie de 28 cm (11 po) C.E. (0,4 lb/po²).

1. Installez et utilisez l'appareil de chauffage avec précaution. Suivez tous les règlements et les codes locaux. En l'absence de codes ou de règlements locaux, consultez la publication *Norme pour l'emmagasinement et la manipulation du gaz de pétrole liquéfié, ANSI/NFPA 58* et le *Code d'installation du gaz naturel, CAN/CGA B149*. Ces documents décrivent les précautions à prendre pour l'entreposage et la manutention du propane et du GPL.
2. N'utilisez que du propane ou du GPL prévus pour un retrait de vapeur dans une bouteille de 9 kg (20 lb). La bouteille doit être fabriquée et marquée en conformité avec les spécifications du ministère des Transports (DOT) des États-Unis. La bouteille doit être dotée d'une vanne d'arrêt donnant sur le raccord de sortie de vanne de la bouteille pour le gaz propane et GPL. La vanne doit avoir un filetage externe et être marquée « Utiliser avec type 1 » ainsi qu'un dispositif de sécurité et de décharge en contact direct avec l'espace intérieur de la bouteille. La bouteille utilisée doit être munie d'un collet pour protéger la vanne de la bouteille.
3. Ne placez pas de matériaux combustibles, d'essence, de solvant à peinture ou d'autres vapeurs ou liquides inflammables à proximité de l'appareil. La poussière est combustible. N'utilisez pas l'appareil de chauffage là où il y a beaucoup de poussière.
4. Le déversement de liquide inflammable sur une flamme pourrait provoquer un feu.
5. Ne placez pas de nappe inflammable sur la table de l'appareil de chauffage. Si vous utilisez une nappe, ne laissez pas ses pans tomber au-delà des rebords de la table dans la zone de sortie du chauffage.

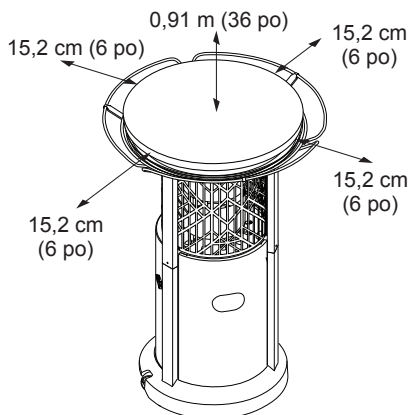


Figure 1 - Dégagement par rapport aux combustibles

IDENTIFICATION DU PRODUIT

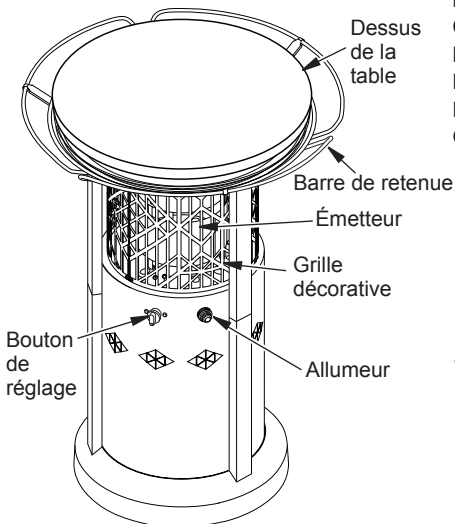
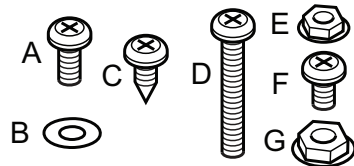


Figure 2 - Appareil de chauffage de patio à infrarouge avec table

Description	N° de pièce
A Vis de 1 po (6)	119619-04
B Rondelle de 5 mm (6)	119600-02
C Vis autotaraudeuse de 3/8 po (59)	119620-02
D Vis de 1 1/2 po (6)	119619-05
E Écrou hexagonal de 5 mm (6)	NPC-3C
F Vis de mécanique de 3/8 po (6)	119742-01
G Écrou hexagonal de M6 (6)	119743-01



1. Identifiez le socle de la table de l'appareil de chauffage et les trois colonnes de table qui ont un trou d'un côté seulement. Tout en vous assurant que toutes les colonnes sont orientées comme illustré à la figure 3, faites glisser les colonnes dans le socle et fixez-les avec les vis (A) et rondelles (B) dans les trous du bas comme illustré.

DÉBALLAGE

1. Enlevez tout matériau d'emballage appliqué sur l'appareil de chauffage pour son expédition.
2. Retirez toutes les pièces de l'emballage.
3. Inspectez toutes les pièces pour voir si elles ont été endommagées pendant l'expédition. Si l'appareil de chauffage est endommagé, informez-en promptement le revendeur où vous l'avez acheté.

ASSEMBLAGE

Temps estimé assemblage: 45 minutes

Outils nécessaires :

- Tournevis Phillips n° 2
- Clé courte (ouverture fixe) de 9/16 po

Le sac de quincaillerie fourni avec l'appareil de chauffage peut contenir plus de pièces que nécessaire pour l'assemblage de l'appareil de chauffage. Les pièces sont désignées par des lettres dans les instructions d'assemblage. Le sac de quincaillerie contient les pièces suivantes (quantité entre parenthèses) :

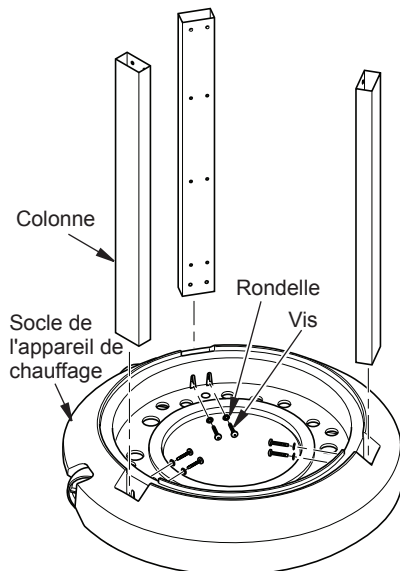


Figure 3 - Installation des colonnes dans le socle

ASSEMBLAGE

suite

- Placez le panneau inférieur de la table et le panneau de contrôle de la table sur l'assemblage du socle comme illustré à la figure 4. Assurez-vous que le panneau de table inférieur est sur le côté du socle avec des roues. Fixez les panneaux aux colonnes de support en insérant 12 vis (C) uniquement dans les 3 séries de trous inférieurs (voir figure 4). Fixez le fil de mise à la terre de l'allumeur avec 1 vis, comme illustré à la figure 4 (pour l'allumeur installé à l'étape 4).
- Les jeux de vis du haut (C) passeront à travers les panneaux, les colonnes et dans les connecteurs des colonnes comme illustré à la figure 4 (vis 6). Assurez-vous que les connecteurs de colonne sont orientés comme illustré à la figure 4. Le côté des connecteurs ayant un trou devrait faire face à l'extérieur de l'appareil de chauffage et le trou devrait être vers le haut. Pour les connecteurs près de l'ouverture du devant, la deuxième vis traverse seulement les panneaux et les connecteurs de pieds. La deuxième vis fixera le connecteur (voir figure 4).
- Installez l'allumeur électronique à travers le panneau de contrôle comme illustré à la figure 4. Appuyez pour le mettre en place. Vissez dessus l'anneau de retenue et le capuchon de l'allumeur à partir du panneau extérieur.
- Retirez le fil d'attache et le matériau d'emballage du régulateur placés sous la plaque de fixation du brûleur.

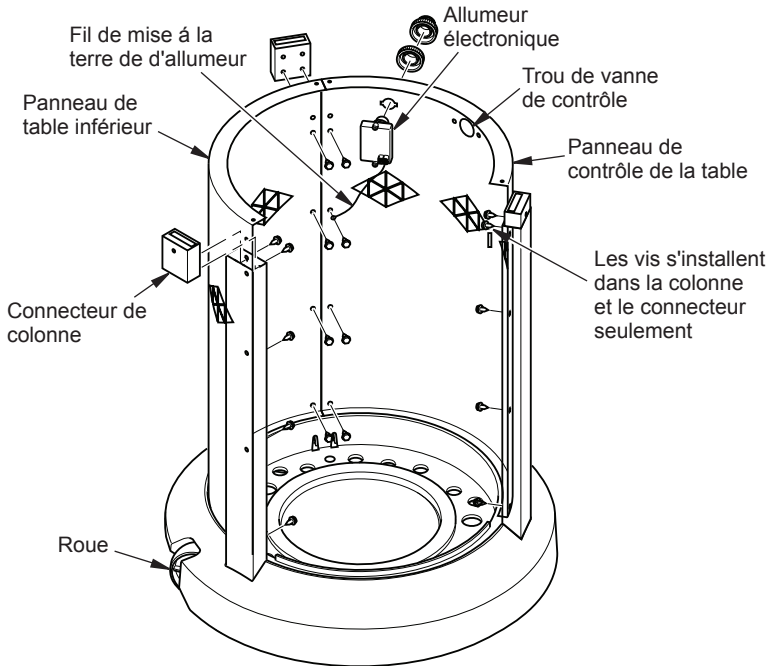


Figure 4 - Raccordement des panneaux de côté et de l'allumeur

ASSEMBLAGE

suite

- Placez la plaque de fixation du brûleur sur le dessus des panneaux en insérez avec précaution la vanne de contrôle dans le trou du panneau de contrôle.
- Fixez le support de la vanne de contrôle au panneau de contrôle de la table avec 2 vis (C). Fixez le bouton de réglage à la vanne de contrôle à partir de l'extérieur de l'appareil de chauffage. Voir figure 5.
- Fixez la plaque de support du brûleur aux panneaux avec 4 vis (C) (voir figure 5).
- Attachez les grilles de l'émetteur aux supports de l'émetteur avec 4 vis (C) comme illustré à la figure 5.
- Fixez le capuchon de l'émetteur aux supports de l'émetteur avec 2 vis (C) comme illustré à la figure 5.
- Fixez l'assemblage de l'émetteur à la plaque de fixation du brûleur avec 2 vis (C) (voir figure 5).

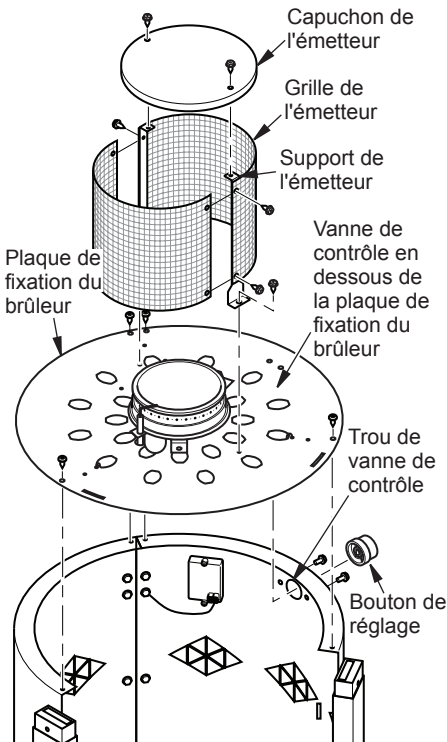


Figure 5 - Assemblage de l'émetteur et raccordement à la plaque de fixation du brûleur

- Modèle TD109 seulement: Placez trois panneaux autour des colonnes des grilles. Pour tous les modèles: Placez trois grilles décoratives autour des colonnes des grilles. Fixez aux colonnes avec 4 vis (C) par grille comme illustré à la figure 6.
- Fixez l'assemblage des grilles à la plaque de fixation du brûleur avec 3 vis (C), une à travers le dessous de chaque colonne de grille décorative (voir figure 7).

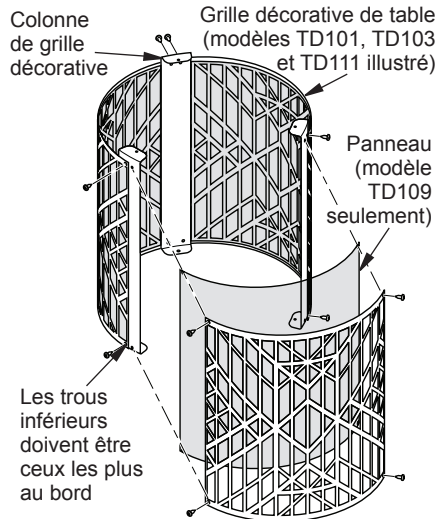


Figure 6 - Assemblage des grilles décoratives et des colonnes de grille

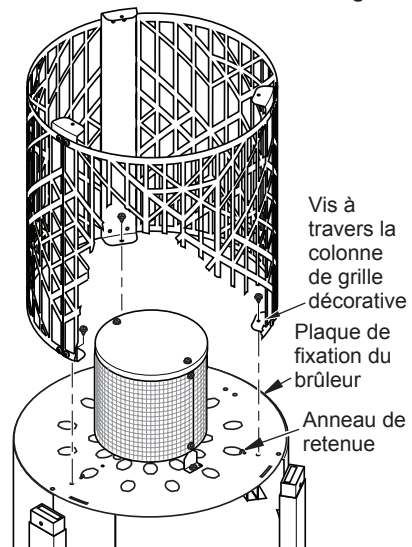


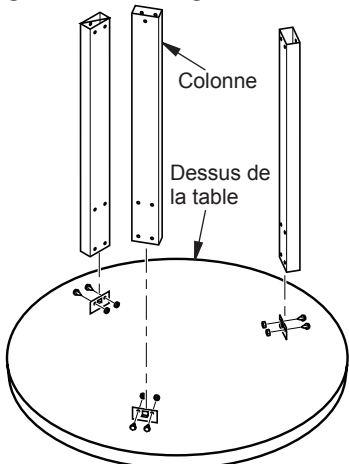
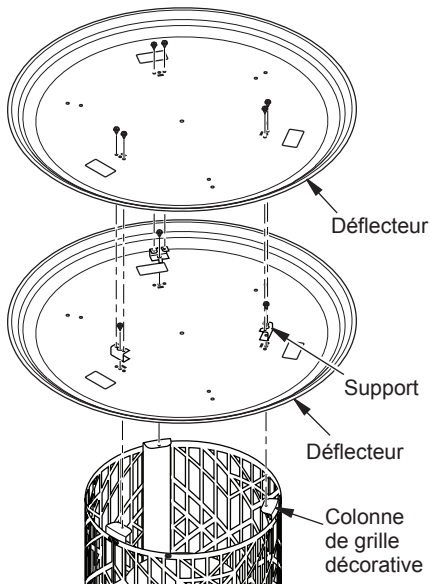
Figure 7 - Raccordement de l'assemblage de la grille à l'appareil de chauffage

ASSEMBLAGE

suite

14. Placez un déflecteur sur les colonnes des grilles décoratives. Fixez le déflecteur et les supports aux colonnes avec une vis (C) à travers chacun des trois supports. Voir figure 8.

15. Placez le deuxième déflecteur sur le premier. Fixez le déflecteur aux supports avec 2 vis (C) à travers le haut de chaque support (voir figure 8).



16. Placez la table dessus dessous sur une couverture ou un carton pour prévenir les égratignures. En vous assurant que les trous des pieds sont orientés comme illustré à la figure 9, installez les 3 colonnes de tables restantes comme illustré. Fixez les colonnes au dessus de la table avec 2 vis (D) et 2 écrous (E) chacune.

17. Remettez à l'endroit l'assemblage des supports de la table. Faites glisser les colonnes dans les ouvertures de l'assemblage du déflecteur (voir figure 10). Placez les colonnes du haut sur les connecteurs des colonnes. Fixez chaque ensemble avec une vis (C) chacun (voir figure 10).

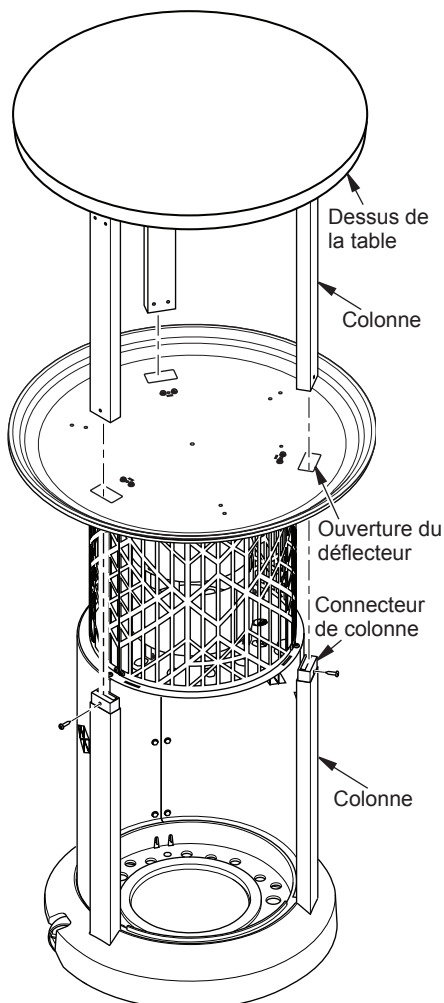


Figure 9 - Assemblage du dessus de la table Figure 10 - Installation du dessus de la table

ASSEMBLAGE

suite

18. Faites coulisser les montants sur les barres de retenue, comme illustré à la figure 11. La partie courbée des montants doit être orientée vers le bas.
19. Insérez les barres de retenue dans les trous des colonnes (voir figure 11). Les barres de retenues passeront entièrement à travers les colonnes. Vissez 1 écrou (G) aux extrémités des barres de retenues comme illustré à la figure 11.
20. Fixez les montants au déflecteur inférieur avec 2 vis (F) chaque, comme illustré à la figure 11.
21. Connectez le fil noir de l'allumeur et l'électrode qui se trouvent sous la plaque de fixation du brûleur à l'allumeur électronique. Installez une pile dans l'allumeur comme illustré à la page 16.
22. Faites passer les crochets (en forme de « S ») de retenue par les trous dans la plaque de fixation du brûleur, comme illustré à la figure 7, page 7.
23. Connectez le détendeur à la bouteille de gaz, voir *Fonctionnement*, page 10. La bouteille de gaz se range dans l'habillage.
24. Vérifiez s'il y a des fuites. Voir *Recherche de fuites*, page 10.
25. Accrochez le panneau avec porte de la table dans les fentes de la plaque de fixation du brûleur pour recouvrir l'intérieur de l'appareil de chauffage.

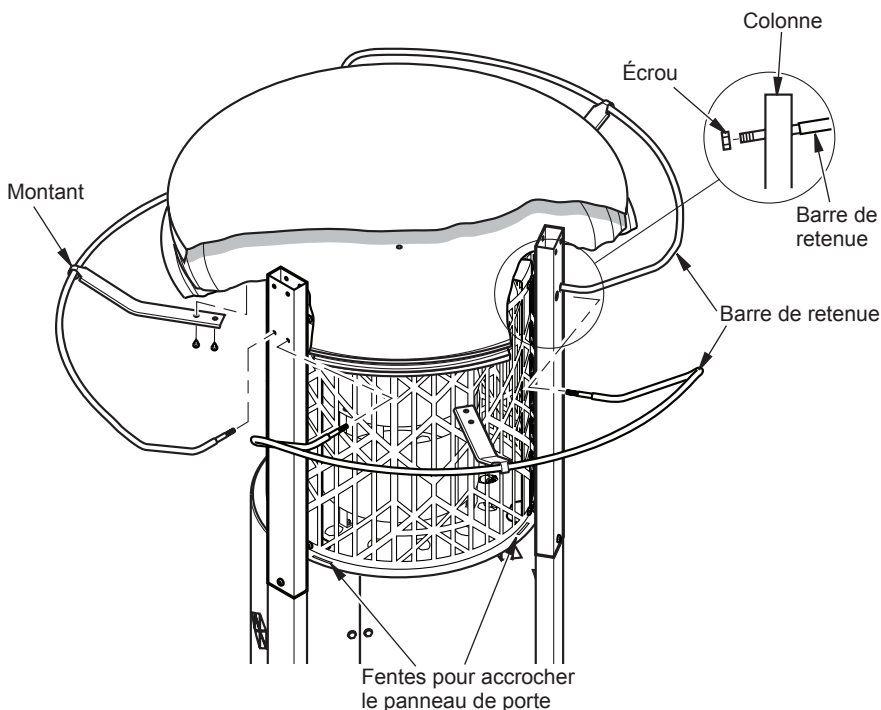


Figure 11 - Assemblage de la barre de retenue (dessus et déflecteurs non illustrés pour plus de précision)

FONCTIONNEMENT

Utilisez seulement une bouteille de propane ou de GPL de 9 kg (20 lb) (non fournie). Consultez les informations relatives à la sécurité pour sélectionner la bouteille. Branchez l'assemblage tuyau/détendeur à la bouteille de propane (voir figure 12). Le tuyau devrait déjà être raccordé à l'appareil de chauffage. Lorsque vous raccordez l'assemblage du détendeur à la vanne de la bouteille, serrez à la main l'écrou dans le sens des aiguilles d'une montre jusqu'à un arrêt complet. **N'UTILISEZ PAS** une clé pour serrer. L'utilisation d'une clé endommagera les écrous de raccordement rapide et créera une situation dangereuse.

Faites passer la chaîne de retenue dans au moins une poignée de la bouteille de propane ou de GPL (voir figure 12). Assurez-vous que la chaîne passe dans une poignée de la bouteille et **NON** autour de la vanne de la bouteille. La chaîne ne doit pas entraver la vanne. Attachez les crochets des deux extrémités de la chaîne aux anneaux de retenue qui se trouvent sur la plaque de fixation du brûleur, voir figure 7, page 7.

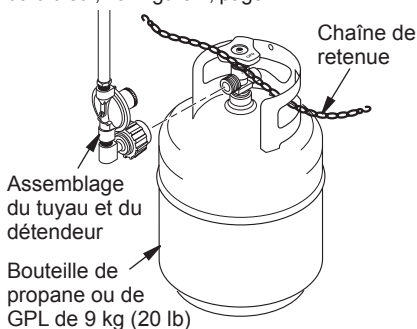


Figure 12 - Raccordement de l'assemblage détendeur-tuyau à la bouteille de propane ou de GPL

RECHERCHE DE FUITES

1. Mettez la vanne de l'appareil de chauffage sur la position ARRÊT.
2. Tournez complètement la vanne d'approvisionnement de la bouteille dans le sens inverse des aiguilles d'une montre pour la mettre sur la position OUVERT.
3. Utilisez une solution non corrosive pour détecter les fuites afin de vérifier s'il y a une fuite au raccordement avant de tenter d'allumer l'appareil de chauffage. Si vous trouvez une fuite, mettez la vanne de la bouteille sur la position FERMÉ et n'utilisez pas l'appareil tant que toutes les fuites n'ont pas été colmatées.

INSTRUCTIONS D'ALLUMAGE

1. Enfoncez le bouton de réglage de l'appareil de chauffage et tournez-le dans le sens inverse des aiguilles d'une montre pour le mettre sur la position ALLUMER.
2. Enfoncez le bouton et appuyez sur le bouton de l'ALLUMEUR. Répétez jusqu'à ce que l'appareil de chauffage s'allume.
3. Continuez à enfoncer le bouton pendant environ 30 secondes. L'appareil de chauffage devrait rester allumé au réglage de température le plus bas.
4. Pour plus de chaleur, enfoncez le bouton et tournez-le dans le sens inverse des aiguilles d'une montre pour le mettre sur la position HAUT.
5. Dans le cas d'un RÉALLUMAGE, attendez cinq minutes que l'appareil de chauffage refroidisse et que le gaz se dissipe ; ensuite, reprenez les étapes 1 à 3.

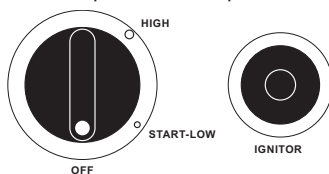


Figure 13 - Contrôles de l'appareil de chauffage

INSTRUCTIONS D'ARRÊT

1. Enfoncez le bouton de réglage et tournez-le dans le sens des aiguilles d'une montre pour le mettre sur la position ARRÊT.
2. Fermez la vanne de la bouteille de propane ou de GPL (tournez le bouton dans le sens des aiguilles d'une montre).

FONCTIONNEMENT DU BRÛLEUR

Inspectez visuellement le brûleur pour vérifier son bon fonctionnement. Une formation correcte du brûleur montre des flammes bleues avec formation de pointes jaunes et la moitié supérieure du brûleur qui rougeoie.

Une formation incorrecte montre des flammes plus grandes que la moitié de l'émetteur et sortant de l'émetteur. Les flammes doivent demeurer à l'intérieur de l'émetteur.

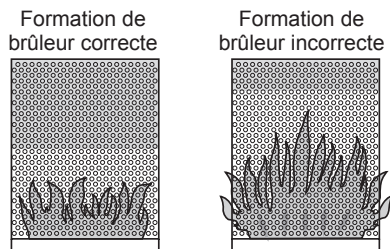


Figure 14 - Fonctionnement du brûleur

DÉPANNAGE

⚠ AVERTISSEMENT : N'essayez jamais de réparer l'appareil de chauffage s'il est raccordé à une source d'approvisionnement en propane ou GPL, en fonctionnement ou brûlant. Des brûlures graves peuvent en résulter.

SYMPTÔME	CAUSE POSSIBLE	SOLUTION
Le brûleur ne s'allume pas	<ol style="list-style-type: none">1. Vanne d'approvisionnement en propane ou GPL fermée sur la bouteille2. Obstruction de l'assemblage diaphragme, brûleur, coude, tuyau, détendeur3. Pile non installée, pile peu chargée ou pile mal installée	<ol style="list-style-type: none">1. Ouvrez lentement la vanne d'approvisionnement en propane ou GPL2. Nettoyez ou remplacez l'assemblage brûleur, diaphragme, coude, tuyau, détendeur3. Installez une nouvelle pile alcaline dans l'allumeur électronique. Vérifiez si la pile est correctement installée. Voir page 16
Le brûleur s'allume, mais il s'éteint dès que le bouton de la vanne de contrôle automatique est relâché	<ol style="list-style-type: none">1. Le préchauffage ne dure pas assez longtemps2. La pression du gaz est trop faible3. Le thermocouple est desserré ou doit être remplacé4. La vanne de contrôle automatique doit être remplacée5. L'écartement du thermocouple est trop grand	<ol style="list-style-type: none">1. Rallumez et appuyez sur le bouton de la vanne de contrôle automatique pendant 30 secondes2. Vérifiez si l'approvisionnement en gaz de la bouteille de propane ou de GPL est suffisant3. Resserrez la connexion ou remplacez le thermocouple4. Remplacez la vanne de contrôle automatique5. L'extrémité du thermocouple ne doit pas toucher le matériau de l'émetteur. Desserrez les vis du support pour rapprocher le thermocouple du brûleur. Ne permettez pas à l'allumeur de toucher. Conserver un écartement de 0,508 cm (0,20 po)
Le taux de combustion maximum est bas	<ol style="list-style-type: none">1. La pression du gaz est trop faible2. Il n'y a pas assez de carburant3. Obstruction de l'assemblage diaphragme, brûleur, coude, tuyau, détendeur	<ol style="list-style-type: none">1. Vérifiez l'approvisionnement en gaz et la sortie du détendeur2. Renseignez-vous auprès de votre fournisseur en propane ou GPL3. Nettoyez ou remplacez l'assemblage brûleur, diaphragme, coude, tuyau, détendeur

ENTREPOSAGE

⚠ ATTENTION ! Débranchez l'appareil de chauffage de la bouteille de propane ou de GPL.

1. N'entreposez pas l'appareil de chauffage s'il est attaché à la bouteille de propane ou de GPL. Fermez la vanne de la bouteille. Enlevez l'assemblage tuyau-détendeur de la bouteille de propane ou de GPL en tournant l'écrou du raccord de gaz dans le sens des aiguilles d'une montre.
2. L'appareil de chauffage ne peut être entreposé que si la bouteille est détachée et démontée de l'appareil de chauffage.
3. Entreposez les bouteilles de propane ou de GPL avec les précautions de sécurité nécessaires. Consultez le Chapitre 5 de la *Norme pour l'emmagasiner et la manipulation du gaz de pétrole liquéfié, ANSI/NFPA 58*. Respectez tous les codes locaux. Les bouteilles doivent être rangées à l'extérieur dans un endroit bien aéré et hors de la portée des enfants. Les bouteilles débranchées doivent avoir des bouchons de vannes filetés installés solidement et ne doivent pas être entreposés dans un édifice, un garage ou tout autre endroit fermé. N'entreposez jamais de bouteille de gaz près d'une source de chaleur élevée, de flammes ou dans des endroits où la température dépasse 38 °C (100 °F).
4. Entreposez l'appareil de chauffage dans un endroit sec, propre et sans danger.

ENTRETIEN

⚠ AVERTISSEMENT : N'essayez jamais de réparer l'appareil s'il est raccordé à une source d'approvisionnement en propane ou GPL, en fonctionnement ou brûlant. Des brûlures graves peuvent en résulter. Toute grille ou tout autre dispositif de protection enlevé pour effectuer une réparation doit être remis en place avant de faire fonctionner l'appareil de chauffage.

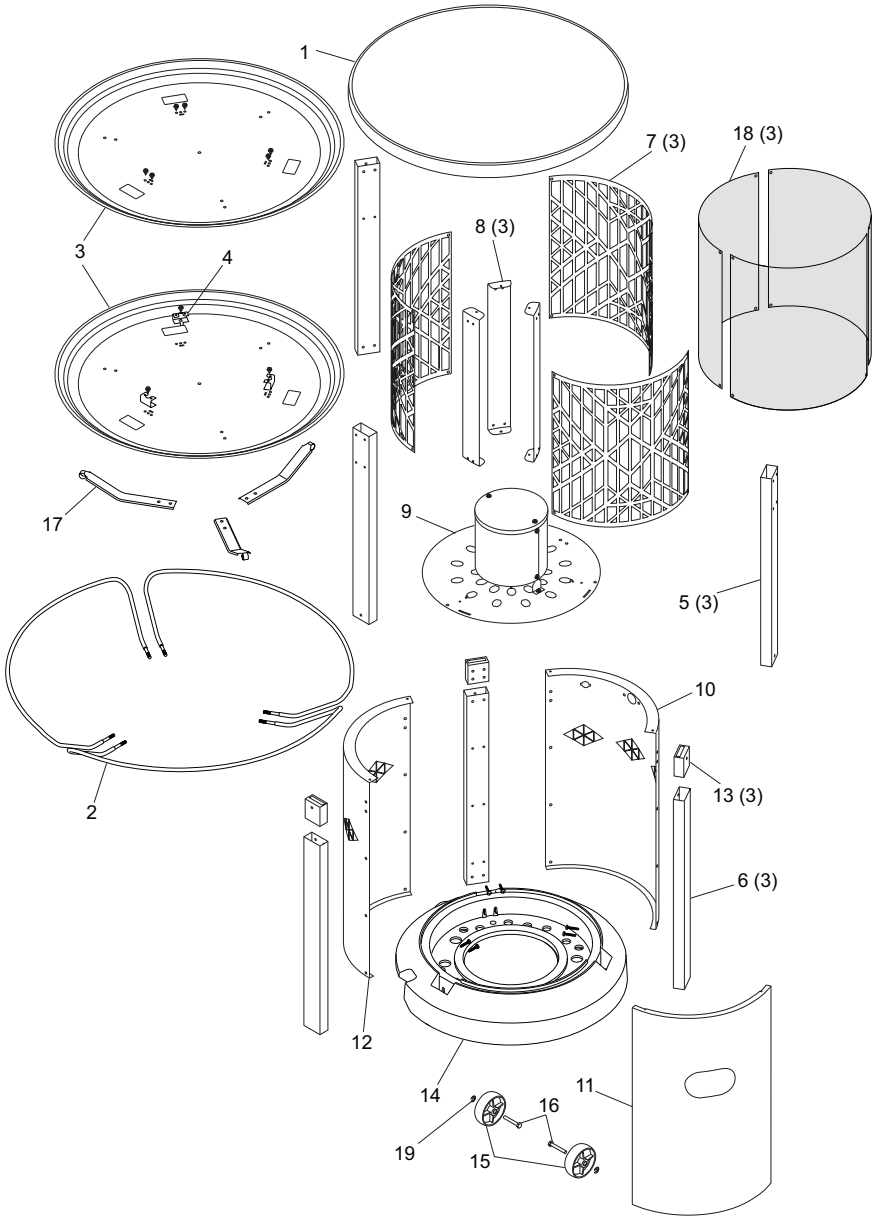
1. Gardez l'appareil de chauffage propre. Retirez tout débris des ouvertures de ventilation.
2. Inspectez l'appareil de chauffage avant chaque utilisation. Vérifiez qu'il n'y a pas de fuite aux raccords. Appliquez une solution de savon et d'eau sur les raccords. L'apparition de bulles indique la présence d'une fuite qui doit être réparée. Réparez toutes les fuites immédiatement.
3. Inspectez l'assemblage du tuyau et du détendeur avant chaque utilisation. Si le tuyau est très usé ou fendu, remplacez-le. Une fois l'an au moins, retirez l'assemblage tuyau-détendeur de l'appareil pour inspecter la canalisation sur toute sa longueur.
4. Les araignées et autres insectes créent des situations dangereuses qui peuvent endommager l'appareil de chauffage ou compromettre sa sécurité. Assurez-vous que la zone du brûleur ne contient pas d'araignées, de toiles d'araignée ou d'insectes.
5. Faites inspecter l'appareil de chauffage une fois l'an par un technicien de service qualifié.

SPÉCIFICATIONS

- Puissance de sortie : supérieure 4,69 kW (16 000 Btu/h)
inférieure 2,78 kW (9 500 Btu/h)
- Combustible : vapeur de propane seulement
- Consommation de carburant/heure : min. 0,39 litre (0,10 gal), max. 0,66 litre (0,17 gal)
min. 0,20 kg (0,44 lb), max. 0,33 kg (0,74 lb)
- Pression d'approvisionnement (au détendeur) : maximale 1,379 kPa (200 lb/po²)
minimale, pour le réglage à l'entrée 34,5 kPa (5 lb/po²)
- Pression du collecteur : supérieure 75,84 kPa (11 lb/po²), inférieure 73,08 kPa (10,6 lb/po²)
- Écartement d'allumage : 0,305 cm (0,120 po)
- Température ambiante minimale : 29 °C (-20 °F)
- Dimensions de l'appareil (L x P x H) : 0,77 x 0,77 x 1,1 m (30,5 x 30,5 x 43,5 po)
- Dimensions de la boîte (L x P x H) : 0,65 x 0,65 x 0,41 m (25,75 x 25,75 x 16,25 po)
- Poids de l'appareil : 33,1 kg (73 lb)
- Poids à l'expédition : 38,1 kg (84 lb)

PIÈCES

MODÈLES TD101, TD103, TD109 ET TD111



PIÈCES

Cette liste contient des pièces de rechange utilisées dans votre appareil de chauffage. Pour commander des pièces, suivez les instructions de la section *Pièces de rechange*, page 17.

N°	N° DE PIÈCE	DESCRIPTION				QTÉ
			TD101, TD111	TD103	TD109	
1	118858-01	Dessus de la table		•		1
	118858-02	Dessus de la table	•	•	•	1
2	118866-01	Barre de retenue	•	•	•	3
3	118856-01	Défecteur	•	•	•	2
4	118871-01	Support d'entretoise du déflecteur	•	•	•	3
5	118850-01	Colonne de table supérieure	•	•	•	3
6	118850-02	Colonne de table inférieure	•	•	•	3
7	118855-01	Grille décorative de table, Mission	•	•		3
	118855-02	Grille décorative de table, Ornate			•	3
8	118854-01	Colonne de grille décorative	•	•	•	3
9	—	Assemblage de l'émetteur, voir page 16	•	•	•	1
10	118859-01	Panneau de contrôle de la table		•		1
	118859-02	Panneau de contrôle de la table	•		•	1
11	118860-01	Panneau de porte de la table		•		1
	118860-02	Panneau de porte de la table	•		•	1
12	118851-01	Panneau de table inférieur		•		1
	118851-02	Panneau de table inférieur	•		•	1
13	119309-01	Connecteur de colonne	•	•	•	3
14	118848-01	Socle de l'appareil de chauffage avec table	•	•	•	1
15	118849-01	Roue	•	•	•	2
16	118862-01	Essieu de la roue de la table	•	•	•	2
17	119625-01	Montant de la barre de retenue	•	•	•	3
18	119940-01	Panneau			•	3
19	118863-01	Anneau de retenue	•	•	•	2
PIÈCES DISPONIBLES - PAS ILLUSTRÉES						
	118988-01	Étiquette d'avertissement	•	•	•	1
	118989-01	Étiquette de renseignements généraux	•	•	•	1
	118990-05	Étiquette de positionnement des contrôles, anglais	•	•	•	1
	118990-03	Étiquette de positionnement des contrôles, espagnol/français	•	•	•	1
	119102-01	Assemblage du tuyau et du détenteur	•	•	•	1
	119103-01	Sac de quincaillerie pour l'assemblage	•	•	•	1
	119110-01	Chaîne de retenue pour bouteille de propane	•	•	•	1
	120574-01	Chaîne de retenue de la anneau de retenue	•	•	•	2
	119422-01	Housse en option* (pas illustrée)			•	1

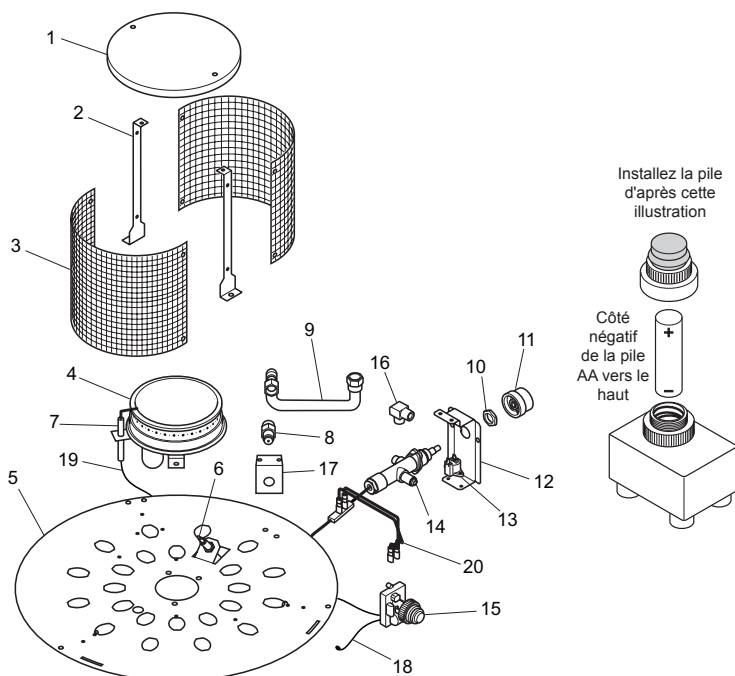
* Disponible comme accessoire pour le modèles TD101, TD103 et TD111.

PIÈCES

BRÛLEUR

MODÈLES TD101, TD103, TD109 ET TD111

Cette liste contient des pièces de rechange utilisées dans votre appareil de chauffage. Pour commander des pièces, suivez les instructions de la section *Pièces de rechange*, page 17.



N°	N° DE PIÈCE	DESCRIPTION	QTÉ
1	119281-01	Capuchon de l'émetteur	1
2	119280-01	Support de l'émetteur	2
3	118870-01	Grille de l'émetteur	2
4	118864-01	Brûleur de table	1
5	118852-01	Plaque de fixation du brûleur et fils couplés d'interrupteur à bascule	1
6	119104-01	Assemblage de thermocouple	1
	100898-01	Écrou de thermocouple	2
7	119107-01	Électrode d'allumage	1
8	119106-01	Buse	1
9	118869-01	Tuyau flexible du brûleur	1
10	098508-01	Écrou de vanne	1
11	120575-01	Bouton	1
12	118867-01	Plaque de montage de vanne	1
13	108498-01	Interrupteur à bascule	1
14	118868-01	Vanne de contrôle	1
15	111435-01	Allumeur électronique	1
16	119557-01	Raccord en L	1
17	119610-01	Support de buse	1
18	119611-01	Fil de masse	1
19	120413-01	Fil de l'allumeur	1
20	120412-01	Fil de interrupteur à bascule	2

PIÈCES DE RECHANGE

⚠ AVERTISSEMENT : N'utilisez que des pièces de rechange d'origine. Cet appareil de chauffage utilise des pièces conçues spécifiquement pour lui. Ne pas utiliser de substituts ou de pièces génériques. L'utilisation de pièces de rechange inappropriées peut causer des blessures graves ou la mort. Ceci protégera également la garantie des pièces remplacées sous garantie.

PIÈCES SOUS GARANTIE

Communiquez avec un revendeur autorisé de ce produit. S'il ne peut pas vous fournir de pièces de rechange DESA d'origine, communiquez avec le dépôt de pièces le plus proche ou appelez le service technique de DESA Heating Products au 1-866-672-6040.

Lorsque vous appelez DESA Heating Products, ayez sous la main :

- votre nom
- votre adresse
- le modèle et le numéro de série de votre appareil de chauffage
- la date de l'achat
- une description de la panne de l'appareil de chauffage

En général, nous vous demanderons de retourner la pièce à l'usine.

PIÈCES QUI NE SONT PAS SOUS GARANTIE

Contactez un revendeur agréé de ce produit. Si le revendeur ou le centre de service ne peut pas vous fournir une ou plusieurs pièces de rechange, prenez contact avec votre dépôt de pièces le plus proche (indiqué dans le livret des centres de service autorisés fourni avec votre appareil de chauffage) ou appelez DESA Heating Products (aux États-Unis) au 1-866-672-6040 ou DESA Industries (au Canada) au 1-416-255-5333 pour plus de renseignements.

Lorsque vous appelez DESA Heating Products, ayez sous la main :

- le numéro du modèle de l'appareil de chauffage
- le numéro de la pièce de rechange

SERVICE TECHNIQUE

Vous aurez peut-être d'autres questions concernant l'installation, le fonctionnement ou le dépannage. Si tel est le cas, contactez le service technique de DESA Heating Products au 1-866-672-6040. Lorsque vous appelez, veuillez avoir les numéros de modèle et de série de votre appareil de chauffage sous la main.

Vous pouvez aussi visiter le site web du service technique de DESA Heating Products à l'adresse www.desatech.com.

ACCESSOIRES

Achetez les accessoires et pièces chez un revendeur ou au centre de service le plus près de chez vous. Si le revendeur ou le centre de service ne peut pas vous fournir un accessoire ou une pièce, prenez contact avec votre dépôt de pièces le plus proche (indiqué dans le livret des centres de service autorisés) ou appelez DESA Heating Products (aux États-Unis) au 1-866-672-6040 ou DESA Industries (au Canada) au 1-416-255-5333 pour plus de renseignements. Vous pouvez aussi nous écrire à l'adresse indiquée au dos de ce manuel.

HOUSSE POUR APPAREIL DE CHAUFFAGE DE PATIO - 119422-01

Vous pouvez acheter en plus une housse pour protéger votre appareil de chauffage de patio. Cette dernière est en polyester noir avec dessus le logo « Outdoor Leisure ».

Vous pouvez commander cette housse en vous rendant sur le site :

www.aboutoutdoorleisure.com

Cliquez sur « Online Outlet (Boutique en ligne) ».

Cliquez sur « Patio Heaters (Appareils de chauffage de patio) ».

Cliquez sur « Accessories (Accessoires) ».

GARANTIE

GARANTIE LIMITÉE

DESA Heating, LLC garantit ce produit et les pièces qui le constituent contre tout défaut de matériau et de fabrication pour une durée d'un (1) an en cas d'usage résidentiel ou pour 90 jours en cas d'usage commercial ou industriel à compter de la date de l'achat initial lorsqu'il est utilisé et maintenu en conformité avec les instructions. Cette garantie ne protège que le premier acheteur au détail dans la mesure où une preuve d'achat est fournie.

Cette garantie ne couvre que le coût des pièces et de la main-d'œuvre requis pour restaurer le produit à son état de fonctionnement normal. Le transport et les frais incidents associés aux réparations sous garantie ne sont pas remboursables sous cette garantie.

Les réparations sous garantie ne sont disponibles que par l'intermédiaire de revendeurs et de réparateurs agréés.

Cette garantie ne couvre pas les défauts causés par la mauvaise utilisation, l'abus, la négligence, les accidents, le manque d'entretien adéquat, l'usure normale, les modifications, les altérations, le trafic, les combustibles contaminés, les réparations avec des pièces inadéquates ou les réparations par quelqu'un d'autre qu'un revendeur ou un centre de service autorisé. L'entretien de routine est la responsabilité du propriétaire.

CETTE GARANTIE EXPRESSE REMPLACE TOUTE AUTRE GARANTIE EXPRESSE OU IMPLICITE, Y COMPRIS LES GARANTIES DE COMMERCIALITÉ ET D'ADÉQUATION À UN BESOIN PARTICULIER.

DESA Heating, LLC n'assume aucune responsabilité pour les dommages indirects, imprévus ou incidents. Certains états ou provinces ne permettent pas l'exclusion ou la restriction des dommages imprévus ou incidents et certaines restrictions ou exclusions pourraient ne pas s'appliquer à votre cas. Cette garantie limitée vous donne des droits spécifiques selon la loi ; vous pourriez aussi avoir d'autres droits selon l'état ou la province où vous habitez.

Cette garantie ne couvre pas la décoloration due au fonctionnement de l'appareil. La seule garantie valable est notre garantie écrite standard. Nous n'offrons aucune autre garantie, expresse ou implicite.

RÉPARATION SOUS GARANTIE

Si votre appareil de chauffage a besoin de réparation, retournez-le au centre de service autorisé le plus près de chez vous. Une preuve d'achat doit être présentée avec l'appareil de chauffage. L'appareil de chauffage sera inspecté. Un défaut peut être causé par des matériaux défectueux ou un vice de fabrication. Si tel est le cas, DESA Heating, LLC réparera ou remplacera l'appareil de chauffage sans frais.

SERVICE DE RÉPARATIONS

Retournez l'appareil de chauffage au centre de service autorisé le plus près de chez vous. Chaque centre de service est autonome. Les réparations non couvertes par la garantie seront facturées aux prix normaux. Nous nous réservons le droit de modifier ces spécifications à tout moment sans préavis.

Pour des renseignements sur cette garantie, écrivez à :



DESA Heating, LLC
2701 Industrial Drive
P.O. Box 90004
Bowling Green, KY 42102-9004
www.desatech.com
1-866-672-6040



INDUSTRIES OF CANADA, INC.
82 Akron Road
Toronto, Ontario
M8W 1T2
www.desatech.com



118992 01

NOT A UPC

118992-01
Rev. G
11/06